

**ELITE SERIES GENERAL SPECIFICATIONS**

**All Elite Series table and unit tops** will be constructed of 1-1/8" thick, 45-pound density particleboard-core with .050" thick high-pressure laminate and .020" thick backer sheet glued to opposite faces for a finished thickness of 1-1/4". (Note: Table tops can be constructed from 9 or 11-ply lumber core or high pressure laminate *for an additional charge*). Tops will be banded with 3/4" T solid red oak with and profile determined by customer selection from edge band chart. (pg 135) Table edges will be finished to match table end panels.

**Tops are fastened to side/end/back panels** using 14 gauge steel brackets and top quality wood screws.

**Computer table and carrel tops only** will have grommets and J-wire managers to provide control and concealment of equipment wires.

**All two sided tables** will have a banded 12"W x 1"T red oak veneer plywood *keel* that runs the length of the table and doweled into the end panels. **All one sided tables** will have a banded full length *modesty panel* made of 3/4" T red oak veneer plywood.

**End panels** will be 1" T plain-sliced red oak veneer plywood. A solid wood 1/2" thick edge band is applied to all exposed panel edges and 1/8" radius. The bottom of each panel base will have two 7/8" diameter leveling glides.

**End panels** are glued and doweled to modesty/keel panel using 3/4" square solid wood cleats that are glued and screwed on two sides using wood screws.

**Curbing and Index Shelving** are constructed of 1" veneer-core red oak plywood secured to the table top by screws passing through the table top and into the assembly. Exposed edges will have a 1/2" T solid red oak edge band. The banded edges of the uprights and shelves will receive an 1/8" radius.

**Study and Computer Carrels** are "starter/adder" design and have 1" T red oak veneer plain-sliced plywood side panels and 3/4" T back panels. End panels are receive a 1/2" T solid red oak band with a 1/8" radius. Back panels receive a 1/4" T solid red oak band with a 1/8" radius. The back panel is aligned using dowels and fastened by 3/4" square solid red oak screw cleat.

**Study Carrels only** have an 8"D bookshelf mounted on the back panel above the work surface. Shelf is 3/4" red oak veneer plywood banded with 1-3/4" W x 3/4" T solid red oak edge band. Shelf is fastened to panels on three sides with solid red oak cleats.

**Computer Carrels only** have an 12"D bookshelf mounted on the back panel above the work surface. Shelf is 3/4" red oak veneer plywood banded with a 1-3/4" W x 3/4" T solid red oak edge band. Shelf is fastened to panels on three sides with solid red oak cleats.

**Display Unit** side panels are 1" T red oak veneer plain-sliced red oak plywood. Back panels are 3/4" T red oak rift cut veneer plywood. A 5/8" x 5/8" (radius on top edge) red oak retainer strip is fastened to the front of the work surface. Shelves and pullouts are 3/4" T red oak veneer plywood with 1/4" T solid red oak edge band. Shelves and pullouts are 3/4" veneer red oak plywood with 1/4" red oak edge band. Atlas stand shelves are provided with full extension ball bearing glides rated for 200 lbs.

**Shelves** will be 3/4" T red oak veneer plywood with 1/4" T solid red oak edge band unless otherwise noted.

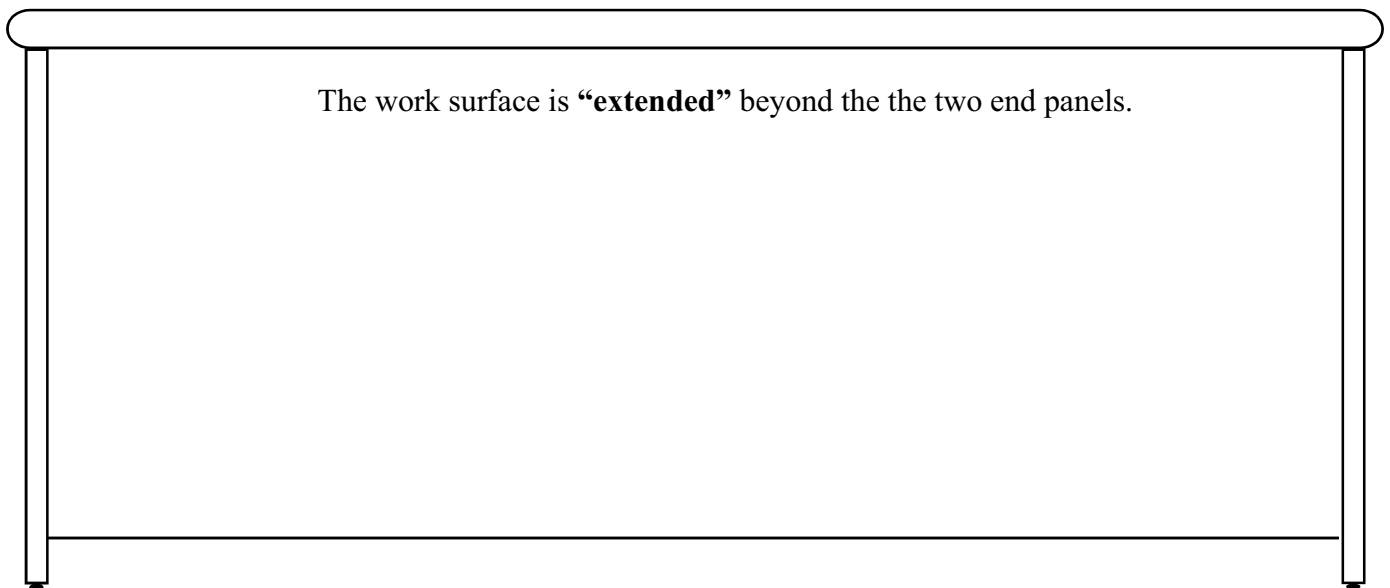
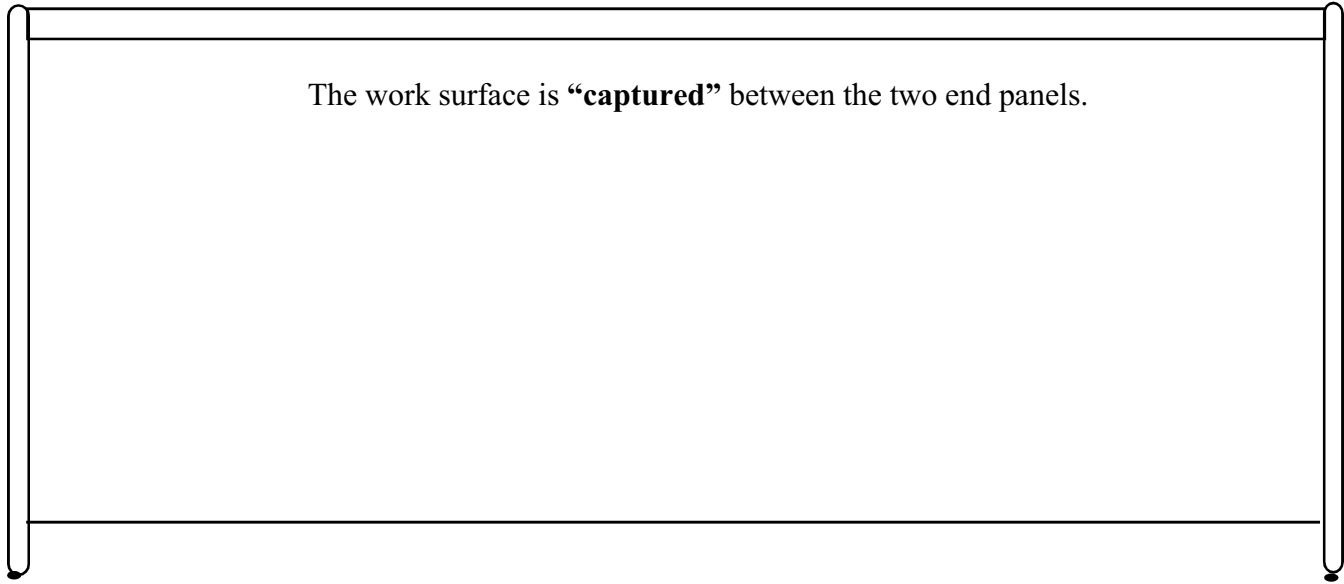
**FINISH** - See page 5 for finish specifications.

Visit our web site at [www.russwood.net](http://www.russwood.net)

**IMPORTANT PLANNING AND ORDERING INFORMATION**

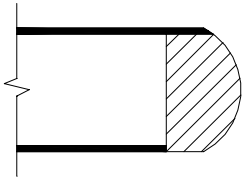
Many of the tables in the Elite Series can be constructed with  
a “Captured” or an “Extended” work surface.

Please note the differences in the two styles below as you plan - and particularly in ordering.

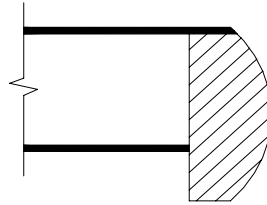


**EDGE DETAILS FOR THE ELITE SERIES**

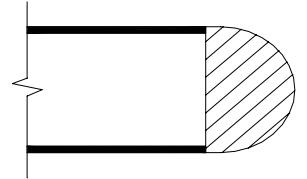
Elite Series work surfaces\* may have any one of the 3/4" T solid red oak edge details below.



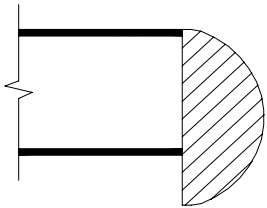
1 1/4" thick top (Internal)  
**Shallow Bullnose Flush**



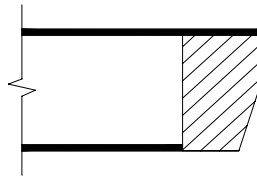
1 1/4" thick top (Internal)  
**Shallow Bullnose Drop**



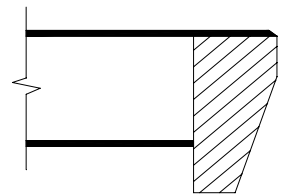
1 1/4" thick top (External)  
**Bullnose Flush**



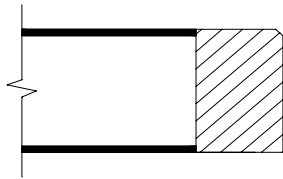
1 1/4" thick top (External)  
**Bullnose Drop**



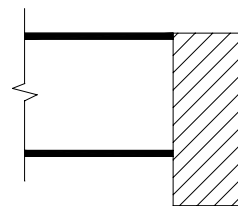
1 1/4" thick top (Internal)  
**Premier Flush**



1 1/4" thick top (Internal)  
**Premier Drop**

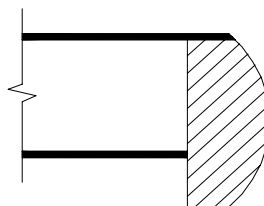


1 1/4" thick top (External)  
**Montana Flush**

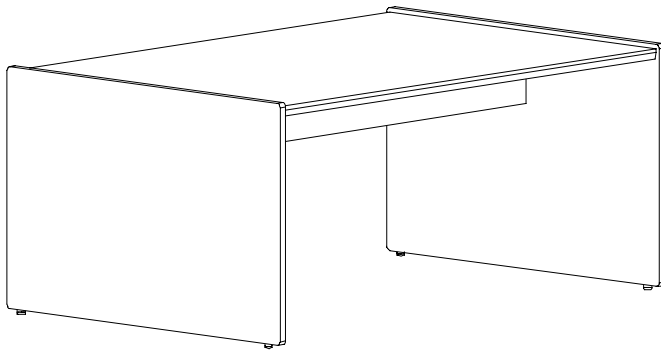


1 1/4" thick top (External)  
**Montana Drop**

**\* Edge Detail  
for Modular  
Computer Table  
Page 158**

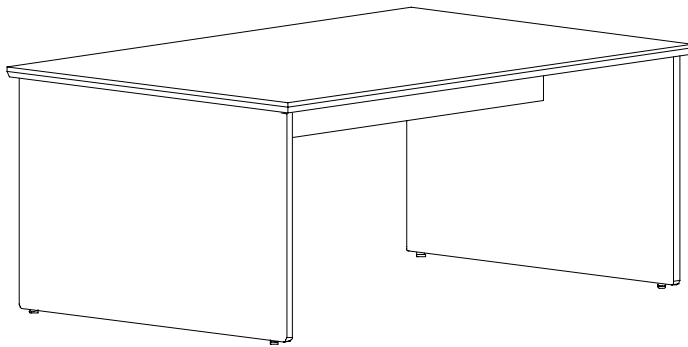


1 1/4" thick top (Internal)  
**Shallow Bullnose Drop**



**Four-Person Study Table  
Captured Top**

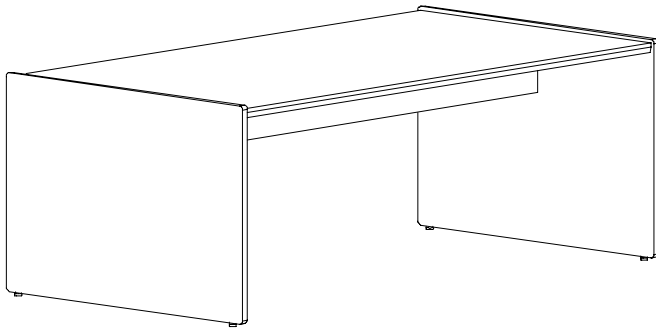
Catalog #	Description	Height"	Length"	Width"	Price
ES-254R01	25" H Four-Person Reading Table	25	60	36	
ES-254R02	25" H Four-Person Reading Table	25	72	36	
ES-254R03	25" H Four-Person Reading Table	25	72	48	
ES-254R04	25" H Four-Person Reading Table	25	72	42	
ES-274R01	27"H Four-Person Reading Table	27	60	36	
ES-274R02	27" H Four-Person Reading Table	27	72	36	
ES-274R03	27"H Four-Person Reading Table	27	72	48	
ES-274R04	27" H Four-Person Reading Table	27	72	42	
ES-294R01	29" H Four-Person Reading Table	29	60	36	
ES-294R02	29" H Four-Person Reading Table	29	72	36	
ES-294R03	29" H Four-Person Reading Table	29	72	48	
ES-294R04	29" H Four-Person Reading Table	29	72	42	



**Four-Person Study Table  
Extended Top**

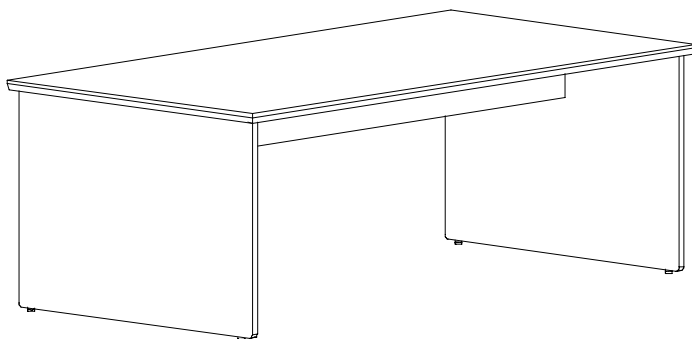
Catalog #	Description	Height"	Length"	Width"	Price
ES-254R10	25"H Four-Person Reading Table	25	60	36	
ES-254R11	25"H Four-Person Reading Table	25	72	36	
ES-254R12	25"H Four-Person Reading Table	25	72	48	
ES-254R13	25"H Four-Person Reading Table	25	72	42	
ES-274R10	27"H Four-Person Reading Table	27	60	36	
ES-274R11	27"H Four-Person Reading Table	27	72	36	
ES-274R12	27"H Four-Person Reading Table	27	72	48	
ES-274R13	27"H Four-Person Reading Table	27	72	42	
ES-294R10	29"H Four-Person Reading Table	29	60	36	
ES-294R11	29"H Four-Person Reading Table	29	72	36	
ES-294R12	29"H Four-Person Reading Table	29	72	48	
ES-294R13	29"H Four-Person Reading Table	29	72	42	

See Page 135 For Edge Details



**Six-Person Study Table  
 Captured Top**

Catalog #	Description	Height"	Length"	Width"	Price
ES-256R01	25"H Six-Person Reading Table	25	90	36	
ES-256R02	25"H Six-Person Reading Table	25	90	48	
ES-256R03	25"H Six-Person Reading Table	25	90	42	
ES-276R01	27"H Six-Person Reading Table	27	90	36	
ES-276R02	27"H Six-Person Reading Table	27	90	48	
ES-276R03	27"H Six-Person Reading Table	27	90	42	
ES-296R01	29"H Six-Person Reading Table	29	90	36	
ES-296R02	29"H Six-Person Reading Table	29	90	48	
ES-296R03	29"H Six-Person Reading Table	29	90	42	

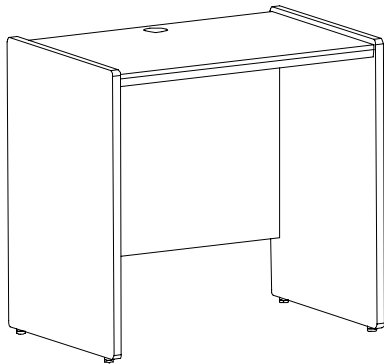


**Six-Person Study Table  
 Extended Top**

Catalog #	Description	Height"	Length"	Width"	Price
ES-256R10	25"H Six-Person Reading Table	25	90	36	
ES-256R12	25"H Six-Person Reading Table	25	90	42	
ES-256R11	25"H Six-Person Reading Table	25	90	48	
ES-276R10	27"H Six-Person Reading Table	27	90	36	
ES-276R12	27"H Six-Person Reading Table	27	90	42	
ES-276R11	27"H Six-Person Reading Table	27	90	48	
ES-296R10	29"H Six-Person Reading Table	29	90	36	
ES-296R12	29"H Six-Person Reading Table	29	90	42	
ES-296R11	29"H Six-Person Reading Table	29	90	48	

See Page 135 For Edge Details



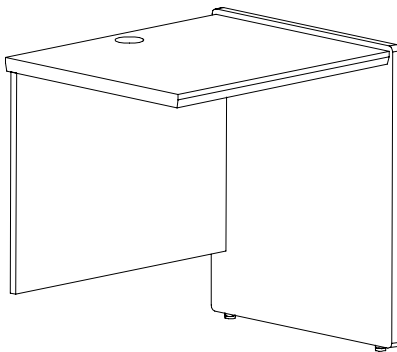


**30”L x 24”W Flat Screen Computer Table  
(Starter) Captured Top**

Work surface is connected to the end panels via 14 gauge metal bolt cleat using a threaded insert . The back panel is doweled into the end panel connected with 3/4” square wooden screw cleats.

This unit can be used in conjunction with any 24” W computer table adder. Starter and adder units will be shipped unassembled.

Catalog #	Description	Height"	Length"	Width"	Price
ES-302425	Sitting-Height Unit, child	25	30	24	
ES-302427	Intermediate-Height Unit	27	30	24	
ES-302429	Sitting-Height Unit, adult	29	30	24	
ES-302439	Standing-Height Unit	39	30	24	

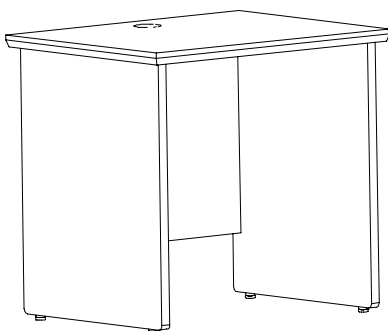


**30”L x 24”W Flat Screen Computer Table  
(Adder) Captured Top**

Work surface is connected to the end panels via 14 gauge metal bolt cleat using a threaded insert . The back panel is doweled into the end panel connected with 3/4” square wooden screw cleats.

This unit can be used in conjunction with any one 24”W starter and any series of 24”W adders. Starter and adder units will be shipped unassembled.

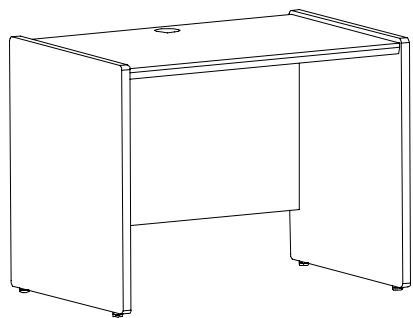
Catalog #	Description	Height"	Length"	Width"	Price
ES-302425A	Sitting-Height Unit, child	25	30	24	
ES-302427A	Intermediate-Height Unit	27	30	24	
ES-302429A	Sitting-Height Unit, adult	29	30	24	
ES-302439A	Standing-Height Unit	39	30	24	



**30”L x 24”W Flat Screen Computer Table  
Extended Top**

Catalog #	Description	Height"	Length"	Width"	Price
ES-302425E	Sitting-Height Unit, child	25	30	24	
ES-302427E	Intermediate-Height Unit	27	30	24	
ES-302429E	Sitting-Height Unit, adult	29	30	24	
ES-302439E	Standing-Height Unit	39	30	24	

See Page 135 For Edge Details

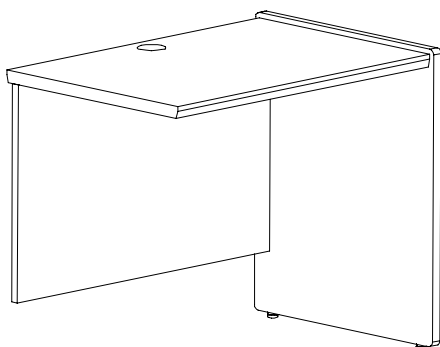


**36”L x 24”W Flat Screen Computer Table  
(Starter) Captured Top**

Work surface is connected to the end panels via 14 gauge metal bolt cleat using a threaded insert . The back panel is doveled into the end panel connected with 3/4” square wooden screw cleats.

This unit can be used in conjunction with any 24” W computer table adder. Starter and adder units will be shipped unassembled.

Catalog #	Description	Height"	Length"	Width"	Price
ES-362425	Sitting-Height Unit,child	25	36	24	
ES-362427	Intermediate-Height Unit	27	36	24	
ES-362429	Sitting-Height Unit, adult	29	36	24	
ES-362439	Standing-Height Unit	39	36	24	

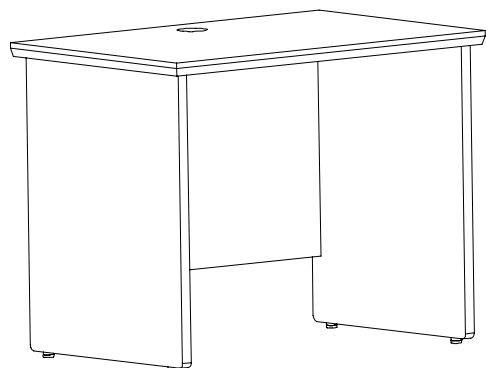


**36”L x 24”W Flat Screen Computer Table  
(Adder) Captured Top**

Work surface is connected to the end panels via 14 gauge metal bolt cleat using a threaded insert . The back panel is doveled into the end panel connected with 3/4” square wooden screw cleats.

This unit can be used in conjunction with any one 24”W starter and any series of 24”W adders. Starter and adder units will be shipped unassembled.

Catalog #	Description	Height"	Length"	Width"	Price
ES-362425A	Sitting-Height Unit,child	25	36	24	
ES-362427A	Intermediate-Height Unit	27	36	24	
ES-362429A	Sitting-Height Unit, adult	29	36	24	
ES-362439A	Standing-Height Unit	39	36	24	

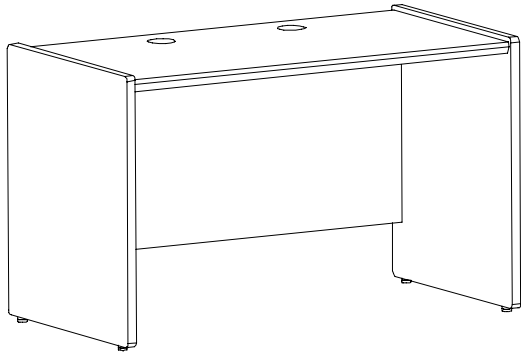


**36”L x 24”W Flat Screen Computer Table  
Extended Top**

Catalog #	Description	Height"	Length"	Width"	Price
ES-362425E	Sitting-Height Unit,child	25	36	24	
ES-362427E	Intermediate-Height Unit	27	36	24	
ES-362429E	Sitting-Height Unit, adult	29	36	24	
ES-362439E	Standing-Height Unit	39	36	24	

See Page 135 For Edge Details



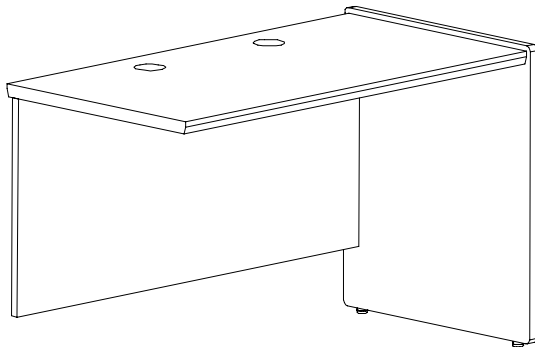


**48”L x 24”W Flat Screen Computer Table  
(Starter) Captured Top**

Work surface is connected to the end panels via 14 gauge metal bolt cleat using a threaded insert . The back panel is doweled into the end panel connected with 3/4” square wooden screw cleats.

This unit can be used in conjunction with any 24” W computer table adder. Starter and adder units will be shipped unassembled.

Catalog #	Description	Height"	Length"	Width"	Price
ES-482425	Sitting-Height Unit, child	25	48	24	
ES-482427	Intermediate Unit,	27	48	24	
ES-482429	Sitting-Height Unit	29	48	24	
ES-482439	Standing-Height Unit	39	48	24	

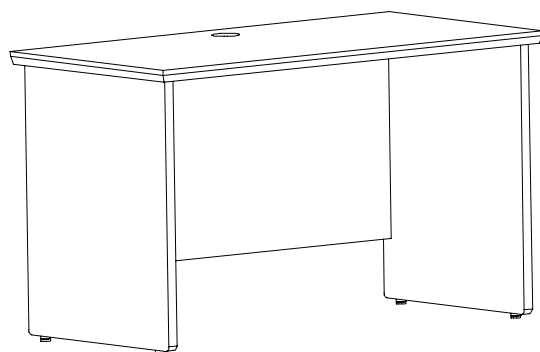


**48”L x 24”W Flat Screen Computer Table  
(Adder) Captured Top**

Work surface is connected to the end panels via 14 gauge metal bolt cleat using a threaded insert . The back panel is doweled into the end panel connected with 3/4” square wooden screw cleats.

This unit can be used in conjunction with any one 24”W starter and any series of 24”W adders. Starter and adder units will be shipped unassembled.

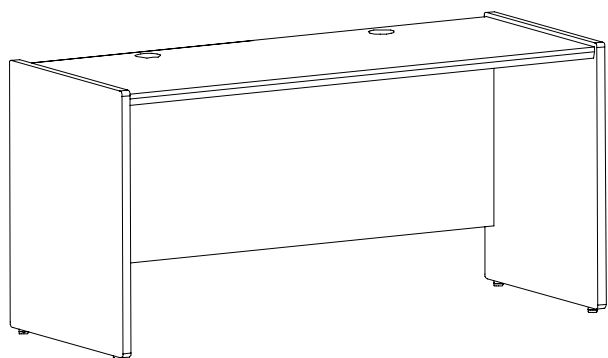
Catalog #	Description	Height"	Length"	Width"	Price
ES-482425A	Sitting-Height Unit, child	25	48	24	
ES-482427A	Intermediate Unit,	27	48	24	
ES-482429A	Sitting-Height Unit	29	48	24	
ES-482439A	Standing-Height Unit	39	48	24	



**48”L x 24”W Flat Screen Computer Table  
Extended Top**

Catalog #	Description	Height"	Length"	Width"	Price
ES-482425E	Sitting-Height Unit,child	25	48	24	
ES-482427E	Intermediate-Height Unit	27	48	24	
ES-482429E	Sitting-Height Unit,adult	29	48	24	
ES-482439E	Standing-Height Unit	39	48	24	

See Page 135 For Edge Details

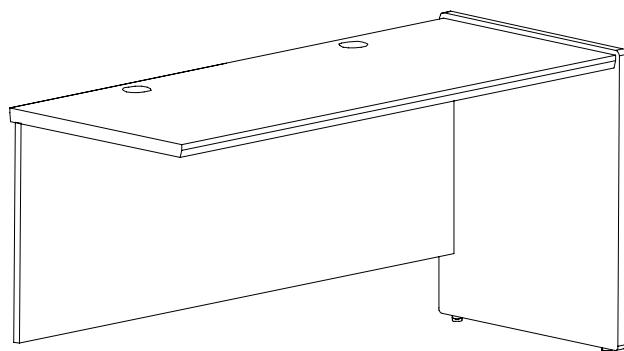


**60”L x 24”W Flat Screen Computer Table (Starter) Captured Top**

Work surface is connected to the end panels via 14 gauge metal bolt cleat using a threaded insert . The back panel is doweled into the end panel connected with 3/4” square wooden screw cleats.

This unit can be used in conjunction with any 24” W computer table adder. Starter and adder units will be shipped unassembled.

Catalog #	Description	Height"	Length"	Width"	Price
ES-602425	Sitting-Height Unit, child	25	60	24	
ES-602427	Intermediate Unit, 60" L x 24" W x 27" H (panel)	27	60	24	
ES-602429	Sitting-Height Unit, 60" L x 24" W x 29" H (panel)	29	60	24	
ES-602439	Standing-Height Unit, 60" L x 24" W x 39" H	39	60	24	

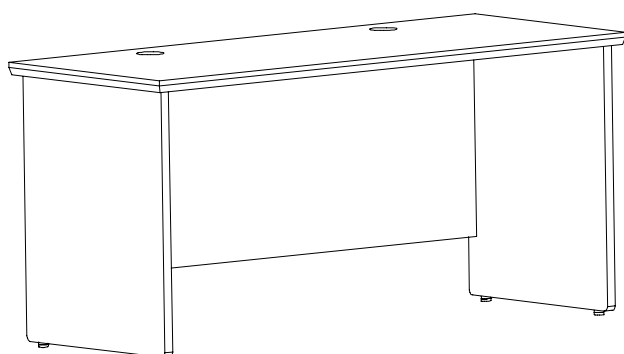


**60”L x 24”W Flat Screen Computer Table (Adder) Captured Top**

Work surface is connected to the end panels via 14 gauge metal bolt cleat using a threaded insert . The back panel is doweled into the end panel connected with 3/4” square wooden screw cleats.

This unit can be used in conjunction with any one 24”W starter and any series of 24”W adders. Starter and adder units will be shipped unassembled.

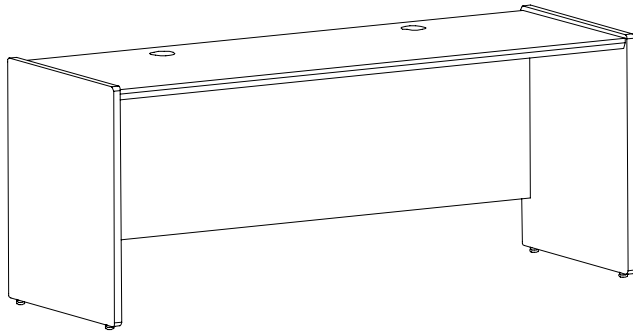
Catalog #	Description	Height"	Length"	Width"	Price
ES-602425A	Sitting-Height Unit, child	25	60	24	
ES-602427A	Intermediate Unit, 60" L x 24" W x 27" H (panel)	27	60	24	
ES-602429A	Sitting-Height Unit, 60" L x 24" W x 29" H (panel)	29	60	24	
ES-602439A	Standing-Height Unit, 60" L x 24" W x 39" H	39	60	24	



**60”L x 24”W Flat Screen Computer Table Extended Top**

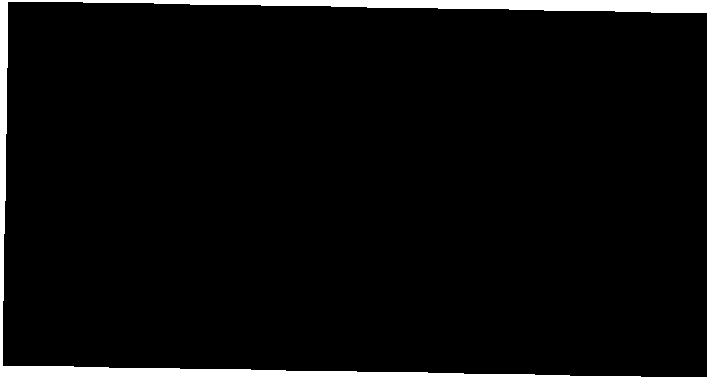
Catalog #	Description	Height"	Length"	Width"	Price
ES-602425E	Sitting-Height Unit, child	25	60	24	
ES-602427E	Intermediate Unit, 60" L x 24" W x 27" H (panel)	27	60	24	
ES-602429E	Sitting-Height Unit, 60" L x 24" W x 29" H (panel)	29	60	24	
ES-602439E	Standing-Height Unit, 60" L x 24" W x 39" H	39	60	24	

See Page 135 For Edge Details



**72”L x 24”W Flat Screen Computer Table  
Captured Top**

Catalog #	Description	Height"	Length"	Width"	Price
ES-722425	Sitting-Height Unit, child	25	72	24	
ES-722427	Intermediate Unit, 72" L x 24" W x 27" H (panel)	27	72	24	
ES-722429	Sitting-Height Unit, 72" L x 24" W x 29" H (panel)	29	72	24	
ES-722439	Standing-Height Unit, 72" L x 24" W x 39" H	39	72	24	

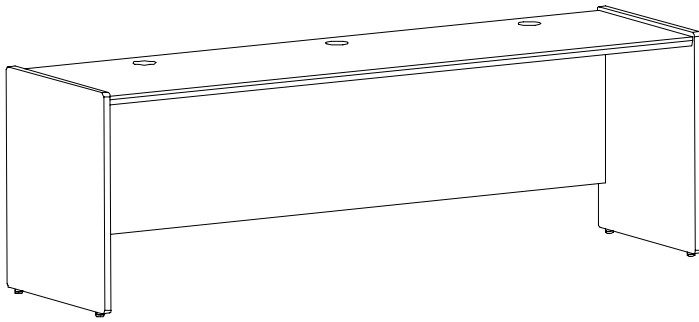


**72”L x 24”W Flat Screen Computer Table  
Extended Top**

Catalog #	Description	Height"	Length"	Width"	Price
ES-722425E	Sitting-Height Unit, child	25	72	24	
ES-722427E	Intermediate Unit, 72" L x 24" W x 27" H (panel)	27	72	24	
ES-722429E	Sitting-Height Unit, 72" L x 24" W x 29" H (panel)	29	72	24	
ES-722439E	Standing-Height Unit, 72" L x 24" W x 39" H	39	72	24	

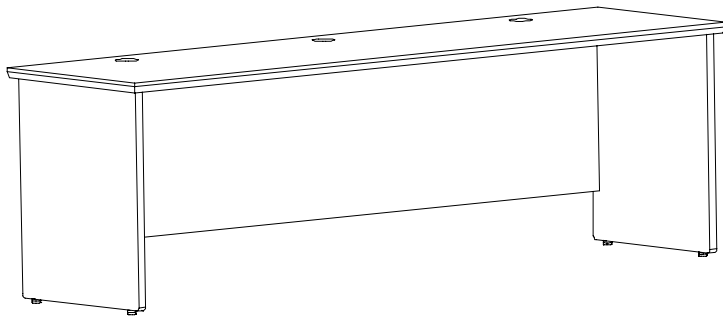
*“I find that a great part of the information I have, was acquired by looking up something and finding something else on the way.”*

*Franklin P. Adams*



**90”L x 24”W Flat Screen Computer Table  
Captured Top**

Catalog #	Description	Height"	Length"	Width"	Price
ES-902425	Sitting-Height Unit, child	25	90	24	
ES-902427	Intermediate Unit, 72" L x 24" W x 27" H (panel)	27	90	24	
ES-902429	Sitting-Height Unit, 72" L x 24" W x 29" H (panel)	29	90	24	
ES-902439	Standing-Height Unit, 72" L x 24" W x 39" H	39	90	24	

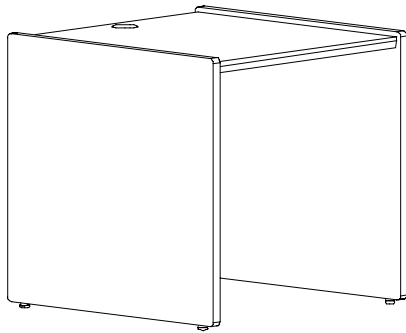


**90”L x 24”W Flat Screen Computer Table  
Extended Top**

Catalog #	Description	Height"	Length"	Width"	Price
ES-902425E	Sitting-Height Unit, child	25	90	24	
ES-902427E	Intermediate Unit, 72" L x 24" W x 27" H (panel)	27	90	24	
ES-902429E	Sitting-Height Unit, 72" L x 24" W x 29" H (panel)	29	90	24	
ES-902439E	Standing-Height Unit, 72" L x 24" W x 39" H	39	90	24	

*"I do not feel obliged to believe that the same God who has endowed us with  
 \_\_\_\_\_ sense, reason, and intellect  
 \_\_\_\_\_ has intended us to forgo their use."  
 \_\_\_\_\_ Galileo Galilei*

See Page 135 For Edge Details

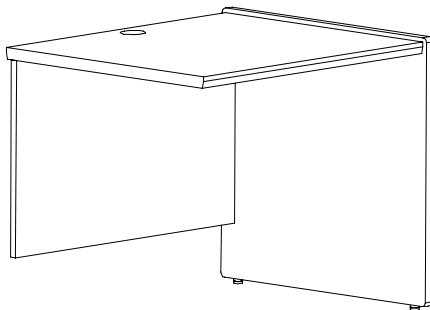


**30” Square Computer Table  
(Starter) Captured Top**

Work surface is connected to the end panels via a 14 gauge metal bolt cleat using a threaded insert . The back panel is doweled into the end panel connected with 3/4” square wooden screw cleats.

This unit can be used in conjunction with any 30” W computer table adder. Starter and adder units will be shipped unassembled.

Catalog #	Description	Height"	Length"	Width"	Price
ES-303025	Sitting-Height Unit, child	25	30	30	
ES-303027	Intermediate-Height Unit	27	30	30	
ES-303029	Sitting-Height Unit, adult	29	30	30	
ES-303039	Standing-Height Unit	39	30	30	

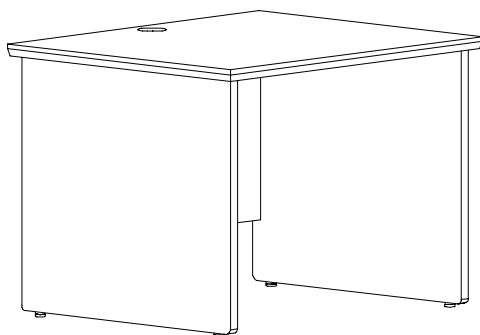


**30” Square Computer Table  
(Adder) Captured Top**

Work surface is connected to the end panels via a 14 gauge metal bolt cleat using a threaded insert . The back panel is doweled into the end panel connected with 3/4” square wooden screw cleats.

This unit can be used in conjunction with any one 30”W starter and any series of 30”W adders. Starter and adder units will be shipped unassembled.

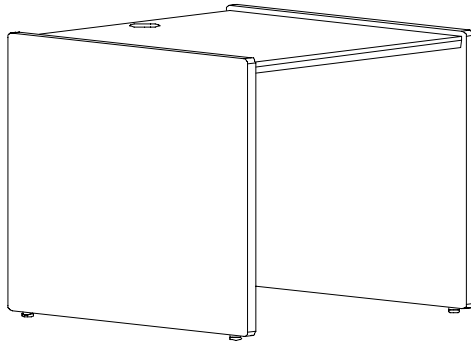
Catalog #	Description	Height"	Length"	Width"	Price
ES-303025A	Sitting-Height Unit, child	25	30	30	
ES-303027A	Intermediate-Height Unit	27	30	30	
ES-303029A	Sitting-Height Unit, adult	29	30	30	
ES-303039A	Standing-Height Unit	39	30	30	



**30” Square Computer Table  
Extended Top**

Catalog #	Description	Height"	Length"	Width"	Price
ES-303025E	Sitting-Height Unit, child	25	30	30	
ES-303027E	Intermediate-Height Unit	27	30	30	
ES-303029E	Sitting-Height Unit, adult	29	30	30	
ES-303039E	Standing-Height Unit	39	30	30	

See Page 135 For Edge Details

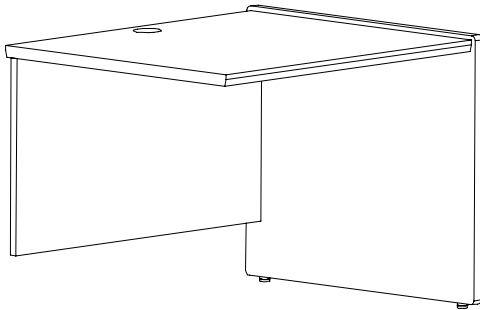


**36”L x 30”W Computer Table  
(Starter) Captured Top**

Work surface is connected to the end panels via a 14 gauge metal bolt cleat using a threaded insert . The back panel is doweled into the end panel connected with 3/4” square wooden screw cleats.

This unit can be used in conjunction with any 30” W computer table adder. Starter and adder units will be shipped unassembled.

Catalog #	Description	Height"	Length"	Width"	Price
ES-363025	Sitting-Height Unit,child	25	36	30	
ES-363027	Intermediate-Height Unit	27	36	30	
ES-363029	Sitting-Height Unit, adult	29	36	30	
ES-363039	Standing-Height Unit	39	36	30	

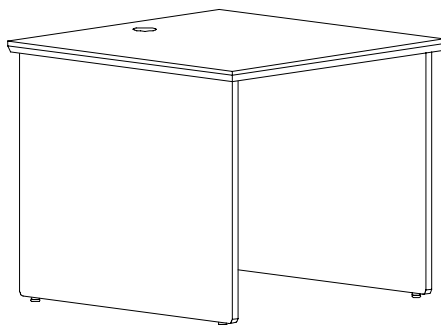


**36”L x 30”W Computer Table  
(Adder) Captured Top**

Work surface is connected to the end panels via a 14 gauge metal bolt cleat using a threaded insert . The back panel is doweled into the end panel connected with 3/4” square wooden screw cleats.

This unit can be used in conjunction with any one 30”W starter and any series of 30”W adders. Starter and adder units will be shipped unassembled..

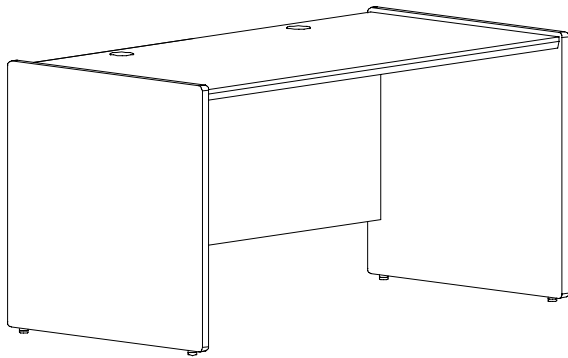
Catalog #	Description	Height"	Length"	Width"	Price
ES-363025A	Sitting-Height Unit,child	25	36	30	
ES-363027A	Intermediate-Height Unit	27	36	30	
ES-363029A	Sitting-Height Unit, adult	29	36	30	
ES-363039A	Standing-Height Unit	39	36	30	



**36”L x 30”W Computer Table  
Extended Top**

Catalog #	Description	Height"	Length"	Width"	Price
ES-363025E	Sitting-Height Unit,child	25	36	30	
ES-363027E	Intermediate-Height Unit	27	36	30	
ES-363029E	Sitting-Height Unit, adult	29	36	30	
ES-363039E	Standing-Height Unit	29	36	30	

See Page 135 For Edge Details

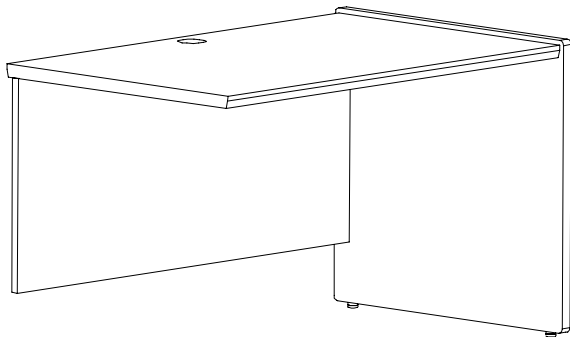


**48”L x 30”W Computer Table  
(Starter) Captured Top**

Work surface is connected to the end panels via a 14 gauge metal bolt cleat using a threaded insert . The back panel is doweled into the end panel connected with 3/4” square wooden screw cleats.

This unit can be used in conjunction with any 30” W computer table adder. Starter and adder units will be shipped unassembled.

Catalog #	Description	Height"	Length"	Width"	Price
ES-483025	Sitting-Height Unit, child	25	48	30	
ES-483027	Intermediate Unit,	27	48	30	
ES-483029	Sitting-Height Unit	29	48	30	
ES-483039	Standing-Height Unit	39	48	30	

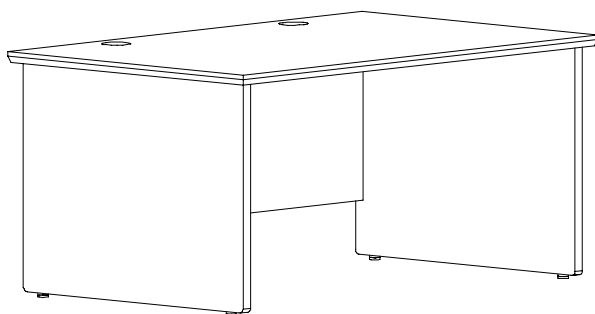


**48”L x 30”W Computer Table  
(Adder) Captured Top**

Work surface is connected to the end panels via a 14 gauge metal bolt cleat using a threaded insert . The back panel is doweled into the end panel connected with 3/4” square wooden screw cleats.

This unit can be used in conjunction with any one 30”W starter and any series of 30”W adders. Starter and adder units will be shipped unassembled.

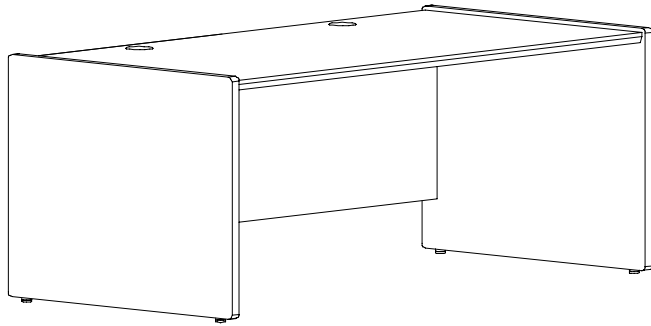
Catalog #	Description	Height"	Length"	Width"	Price
ES-483025A	Sitting-Height Unit, child	25	48	30	
ES-483027A	Intermediate Unit,	27	48	30	
ES-483029A	Sitting-Height Unit	29	48	30	
ES-483039A	Standing-Height Unit	39	48	30	



**48”L x 30”W Computer Table  
Extended Top**

Catalog #	Description	Height"	Length"	Width"	Price
ES-483025E	Sitting-Height Unit,child	25	48	30	
ES-483027E	Intermediate-Height Unit	27	48	30	
ES-483029E	Sitting-Height Unit,adult	29	48	30	
ES-483039E	Standing-Height Unit	39	48	30	

See Page 135 For Edge Details

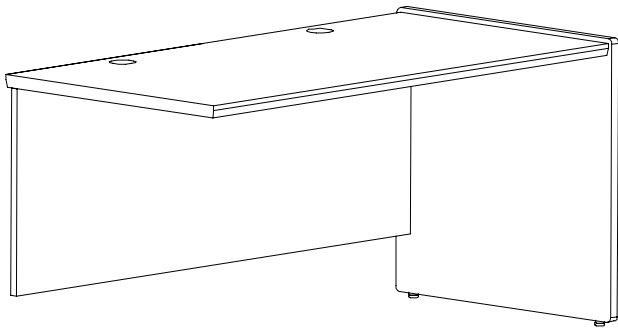


**60”L x 30”W Computer Table  
(Starter) Captured Top**

Work surface is connected to the end panels via a 14 gauge metal bolt cleat using a threaded insert . The back panel is doweled into the end panel connected with 3/4” square wooden screw cleats.

This unit can be used in conjunction with any 30” W computer table adder. Starter and adder units will be shipped unassembled.

Catalog #	Description	Height"	Length"	Width"	Price
ES-603025	Sitting-Height Unit, child	25	60	30	
ES-603027	Intermediate Unit, 60" L x 30" W x 27" H (panel)	27	60	30	
ES-603029	Sitting-Height Unit, 60" L x 30" W x 29" H (panel)	29	60	30	
ES-603039	Standing-Height Unit, 60" L x 30" W x 39" H (leg)	39	60	30	

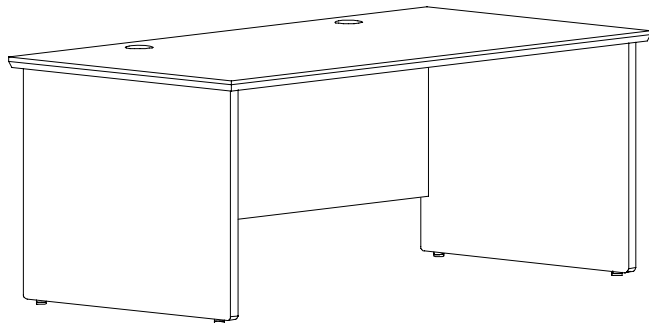


**60”L x 30”W Computer Table  
(Adder) Captured Top**

Work surface is connected to the end panels via a 14 gauge metal bolt cleat using a threaded insert . The back panel is doweled into the end panel connected with 3/4” square wooden screw cleats.

This unit can be used in conjunction with any one 30”W starter and any series of 30”W adders. Starter and adder units will be shipped unassembled.

Catalog #	Description	Height"	Length"	Width"	Price
ES-603025A	Sitting-Height Unit, child	25	60	30	
ES-603027A	Intermediate Unit, 60" L x 30" W x 27" H (panel)	27	60	30	
ES-603029A	Sitting-Height Unit, 60" L x 30" W x 29" H (panel)	29	60	30	
ES-603039A	Standing-Height Unit, 60" L x 30" W x 39" H (leg)	39	60	30	

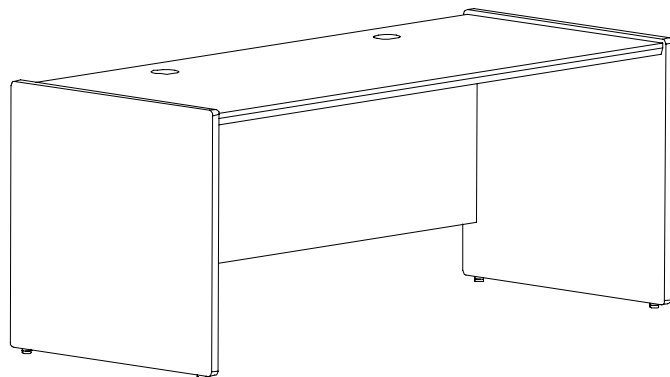


**60”L x 30”W Computer Table  
Extended Top**

Catalog #	Description	Height"	Length"	Width"	Price
ES-603025E	Sitting-Height Unit,child	25	60	30	
ES-603027E	Intermediate-Height Unit	27	60	30	
ES-603029E	Sitting-Height Unit, adult	29	60	30	
ES-603039E	Standing-Height Unit	29	60	30	

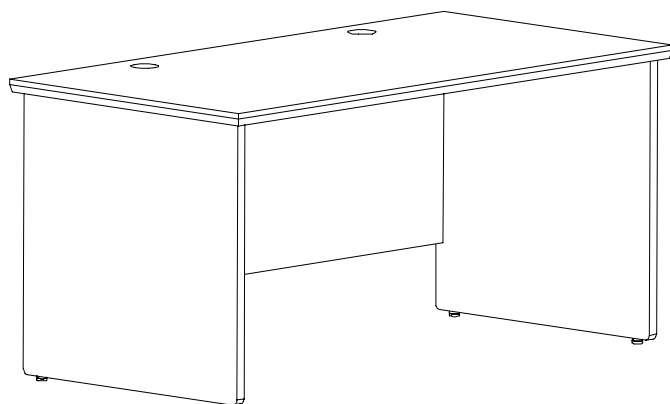
See Page 135 For Edge Details





**72”L x 30”W Computer Table  
Captured Top**

Catalog #	Description	Height"	Length"	Width"	Price
ES-723025	Sitting-Height Unit,child	25	72	30	
ES-723027	Intermediate-Height Unit	27	72	30	
ES-723029	Sitting-Height Unit, adult	29	72	30	
ES-723039	Standing-Height Unit	29	72	30	



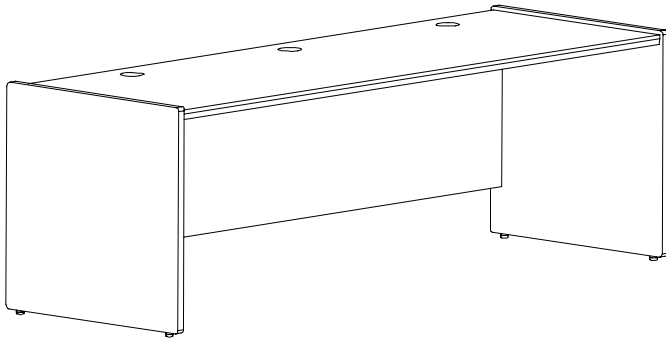
**72”L x 30”W Computer Table  
Extended Top**

Catalog #	Description	Height"	Length"	Width"	Price
ES-723025E	Sitting-Height Unit,child	25	72	30	
ES-723027E	Intermediate-Height Unit	27	72	30	
ES-723029E	Sitting-Height Unit, adult	29	72	30	
ES-723039E	Standing-Height Unit	29	72	30	

“I’ll moider da bum.”

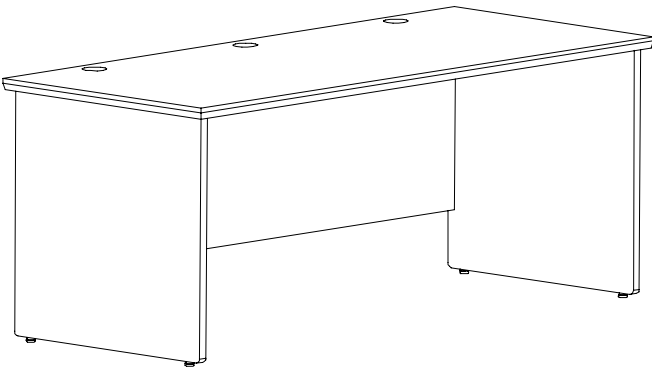
Heavyweight boxer Tony Galento,  
when asked what he thought  
of William Shakespeare

See Page 135 For Edge Details



**90”L x 30”W Computer Table  
Captured Top**

Catalog #	Description	Height"	Length"	Width"	Price
ES-903025	Sitting-Height Unit, child	25	90	30	
ES-903027	Intermediate-Height Unit	27	90	30	
ES-903029	Sitting-Height Unit, adult	29	90	30	
ES-903039	Standing-Height Unit	29	90	30	

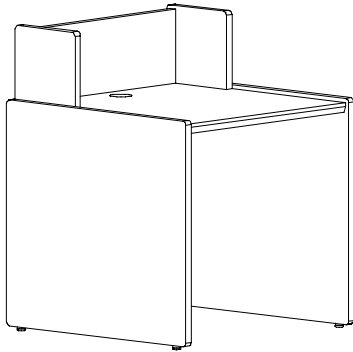


**90”L x 30”W Computer Table  
Extended Top**

Catalog #	Description	Height"	Length"	Width"	Price
ES-903025E	Sitting-Height Unit, child	25	90	30	
ES-903027E	Intermediate-Height Unit	27	90	30	
ES-903029E	Sitting-Height Unit, adult	29	90	30	
ES-903039E	Standing-Height Unit	29	90	30	

*“I have not failed. I’ve just found 10,000 ways that won’t work.”*

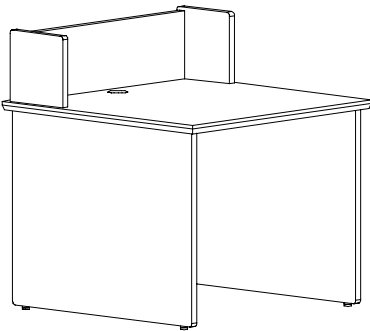
*Thomas Alva Edison*



**36” Square Computer Table w/curbing  
Captured Top**

10”H curbing will run the entire width inside the end panels, as well as 10” along each side to aid with wire connection concealment.

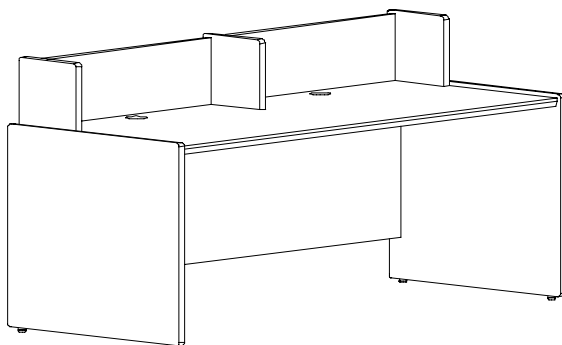
Catalog #	Description	Height"	Length"	Width"	Price
ES-363625	Single-Station Unit, elementary sitting height	25	36	36	
ES-363627	Single-Station Unit, intermediate height	27	36	36	
ES-363629	Single-Station Unit, adult sitting height	29	36	36	
ES-363639	Single-Station Unit, standing height	39	36	36	



**36” Square Computer Table w/curbing  
Extended Top**

10”H curbing will run the entire width inside the end panels, as well as 10” along each side to aid with wire connection concealment.

Catalog #	Description	Height"	Length"	Width"	Price
ES-363625E	Single-Station Unit, elementary sitting height	25	36	36	
ES-363627E	Single-Station Unit, intermediate height	27	36	36	
ES-363629E	Single-Station Unit, adult sitting height	29	36	36	
ES-363639E	Single-Station Unit, standing height	39	36	36	

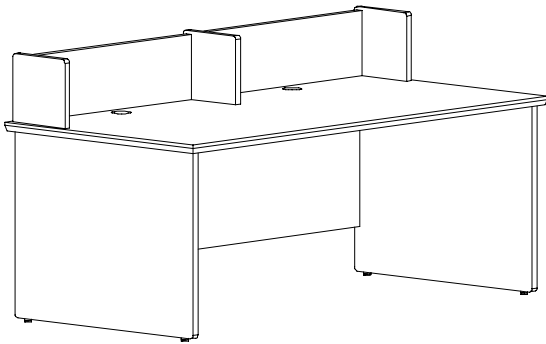


**72”L x 36”W Computer Table w/curbing  
Captured Top**

10”H curbing will run the entire width inside the end panels, as well as 10” along each side to aid with wire connection concealment.

Catalog #	Description	Height"	Length"	Width"	Price
ES-723625	Double-Station Unit, elementary sitting height	25	72	36	
ES-723627	Double-Station Unit, intermediate height	27	72	36	
ES-723629	Double-Station Unit, adult sitting height	29	72	36	
ES-723639	Double-Station Unit, standing height	39	72	36	

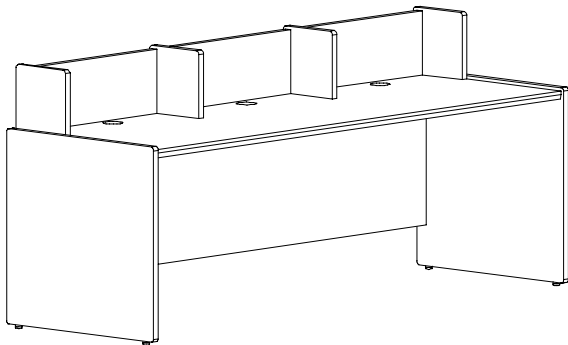
See Page 135 For Edge Details



**72”L x 36”W Computer Table w/curbing  
Extended Top**

10”H curbing will run the entire width inside the end panels, as well as 10” along each side to aid with wire connection concealment.

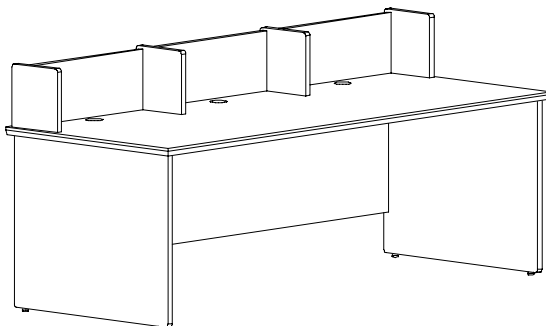
Catalog #	Description	Height"	Length"	Width"	Price
ES-723625E	Double-Station Unit, elementary sitting height	25	72	36	
ES-723627E	Double-Station Unit,intermediate height	27	72	36	
ES-723629E	Double-Station Unit,adult sitting height	29	72	36	
ES-723639E	Double-Station Unit,standing height	39	72	36	



**90”L x 36”W Computer Table w/curbing  
Captured Top**

10”H curbing will run the entire width inside the end panels, as well as 10” along each side to aid with wire connection concealment.

Catalog #	Description	Height"	Length"	Width"	Price
ES-903625	Triple-Station Unit, elementary sitting height	25	90	36	
ES-903627	Triple-Station Unit, intermediate height	27	90	36	
ES-903629	Triple-Station Unit, adult sitting height	29	90	36	
ES-903639	Triple-Station Unit, stading height	39	90	36	

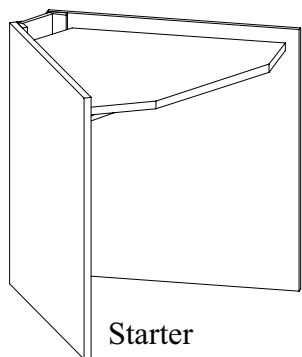


**90”L x 36”W Computer Table w/curbing  
Extended Top**

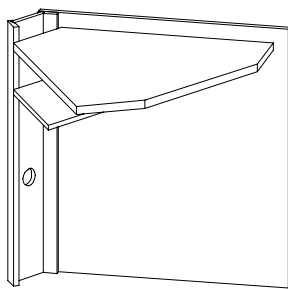
10”H curbing will run the entire width inside the end panels, as well as 10” along each side to aid with wire connection concealment.

Catalog #	Description	Height"	Length"	Width"	Price
ES-903625E	Triple-Station Unit,elementary sitting height	25	90	36	
ES-903627E	Triple-Station Unit,intermediate height	27	90	36	
ES-903629E	Triple-Station Unit, adult sitting height	29	90	36	
ES-903639E	Triple-Station Unit,standing height	39	90	36	

See Page 135 For Edge Details



Starter



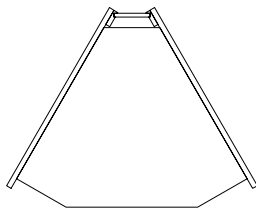
Adder

**U-arrange Computer Stations** are designed to give you a wide range of arrangement options using the starter-adder design. Note the possibilities below.

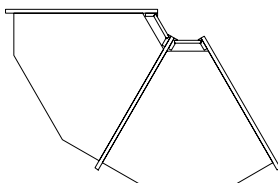
Starter and Adder unit shown with optional paper storage shelf.

Starter and Adder unit is also available with an optional paper-feed slot mounted at the rear of the work surface.

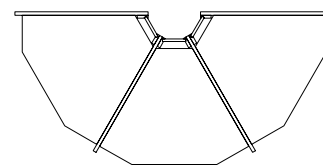
**To get one of these round configurations, simply order...**



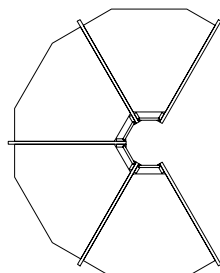
1 Starter



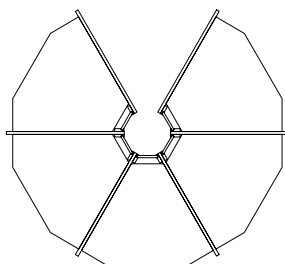
1 Starter - 1 Adder



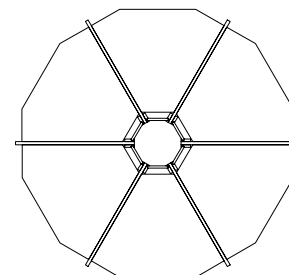
1 Starter - 2 Adders



1 Starter - 3 Adders



1 Starter - 4 Adders



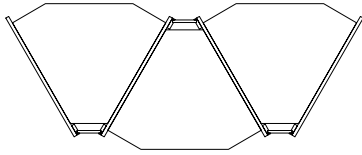
6 Adders

**Use these specs to plan and order U-arrange units.**

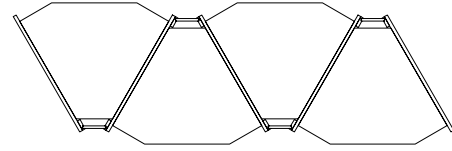
Catalog #	Description	Height"	Width"	Depth"	Price
U-4201	Starter Unit	42	48	38	
U-4201A	Adder Unit	42	48	38	
U-4601	Starter Unit with paper grommet and shelf	46	48	38	
U-4601A	Adder Unit with paper grommet and shelf	46	47	38	
U-4202	Two Positions - one starter and one adder	42	48	48	
U-4203	Three positions - one starter and two adders	42	94	48	
U-4204	Four Positions - one starter and three adders	42	94	88	
U-4205	Five Positions - one starter and four adders	42	94	88	
U-4206	Six Positions - six adders	42	94	94	

See Page 135 For Edge Details

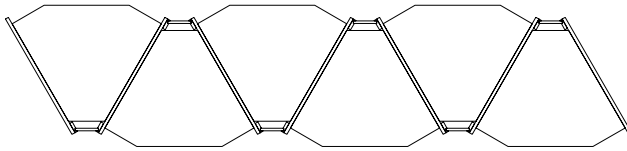
To get one of these serpentine configurations, simply order...



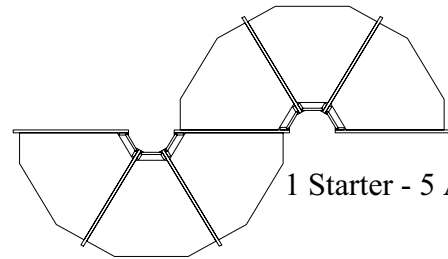
1 Starter - 2 Adders



1 Starter - 3 Adders



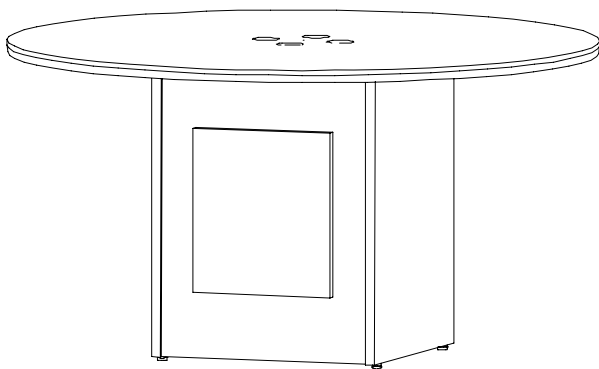
1 Starter - 4 Adders



1 Starter - 5 Adders

Use these specs to plan and order serpentine units.

Catalog #	Description	Height"	Width"	Depth"	Price
U-4201S	Starter Unit	42	48	38	
U-4201AS	Adder Unit	42	48	38	
U-4601S	Starter Unit with paper grommet and shelf	46	48	38	
U-4601AS	Adder Unit with paper grommet and shelf	46	47	38	
U-4203S	Serpentine, three units	42	106	44	
U-4204S	Serpentine, four units	42	154	44	
U-4205S	Serpentine, five units	42	152	44	
U-4206B	Serpentine, six units	42	212	94	

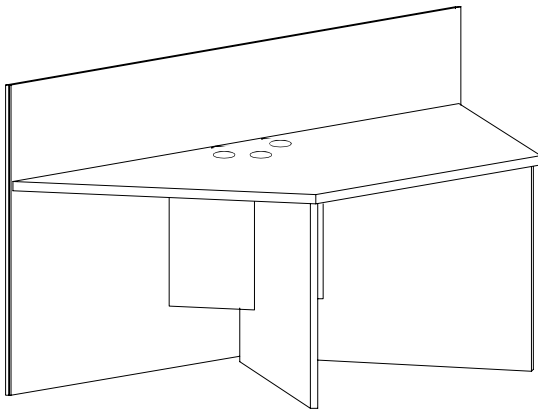


**Four Person Walk-up Computer Station**

Each unit is supplied with four 3" grommets in work surface. The top is 60" in diameter. The base assembly is 24"W x 24"D. Base assembly has a 14"W x 16"H wiring access. Door hinges are hidden. Internal bolt locators allow for unit to be bolted to finished floor.

Catalog #	Description	Height"	Width"	Depth"	Price
CF-60R32	Information Access Center, 32" H worksurface	32	60	60	
CF-60R39	Information Access Center, 39" H worksurface	39	60	60	

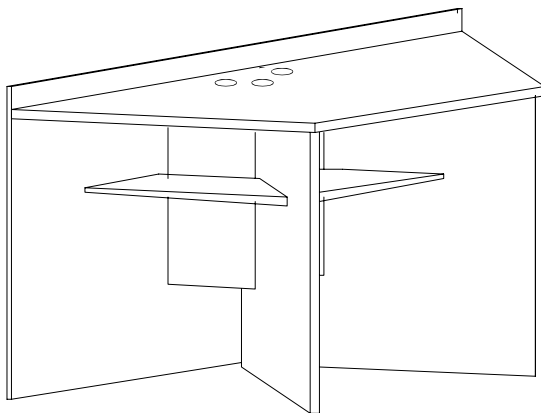
See Page 135 For Edge Details



**Three Person Sitting Computer Station**

Work surface is 29”H. Three grommets are inserted into top and the extended height of the back panel serves to hide wiring. A keyboard tray can be added under the work surface for an additional cost - See Accessories for more details. Overall height is 36 1/2”.

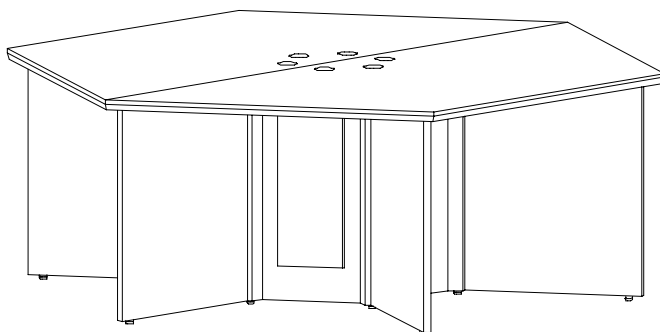
Catalog #	Description	Height"	Width"	Depth"	Price
H-29H	Half-Hex Station, sitting height	36-1/2	85	37-5/16	



**Three Person Walk-up Computer Station**

Work surface is 36”H. Three grommets are inserted into top. A 15”D utility shelf and/or a keyboard tray can be added under the work surface for an additional cost - See Accessories for more details.

Catalog #	Description	Height"	Width"	Depth"	Price
H-36H	Half-Hex Station, standing height	36-1/2	85	37-5/16	

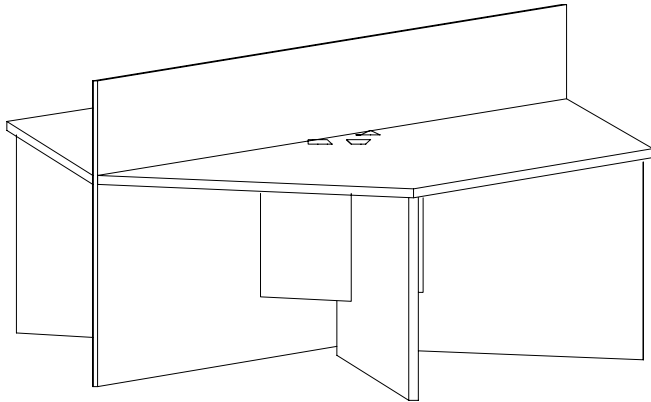


**Six Person Sitting Computer Station**

This station provides for six computer stations with 6 grommets and a common wire chase in the center of the table. The common wire chase is accessed through a door under one the work stations.

Catalog #	Description	Height"	Width"	Depth"	Price
CF-6P2792	27”H Sitting-height worksurface	27	92	80	
CF-6P2992	29”H Sitting-height worksurface	29	92	80	

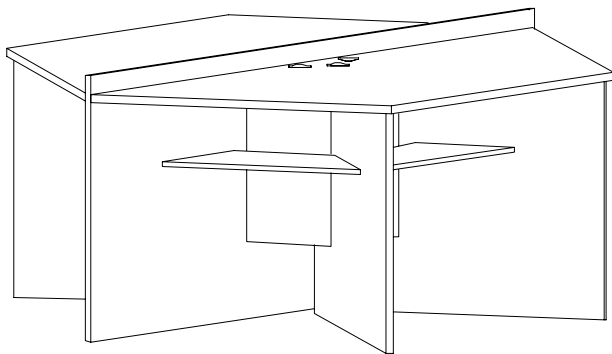
See Page 135 For Edge Details



**Six Person Sitting Computer Station with center curbing.**

Work surface is 29"H. Three grommets on each side are inserted into top. A keyboard tray can be added under the work surface for an additional cost - See Accessories for more details. Overall height is 36 1/2".

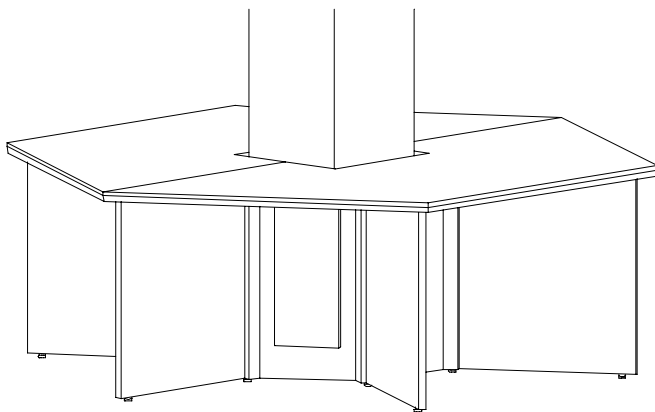
Catalog #	Description	Height"	Width"	Depth"	Price
H-29F	Full-Hex Station, sitting height	36	85	74	



**Six Person Walk-up Computer Station**

Work surface is 36"H. Three grommets are inserted into the top on both sides to hide wiring. A 15"D utility shelf and/or a keyboard tray can be added under the work surface for an additional cost - See Accessories for more details.

Catalog #	Description	Height"	Width"	Depth"	Price
H-36F	Full-Hex Station, standing height	36	85	74	



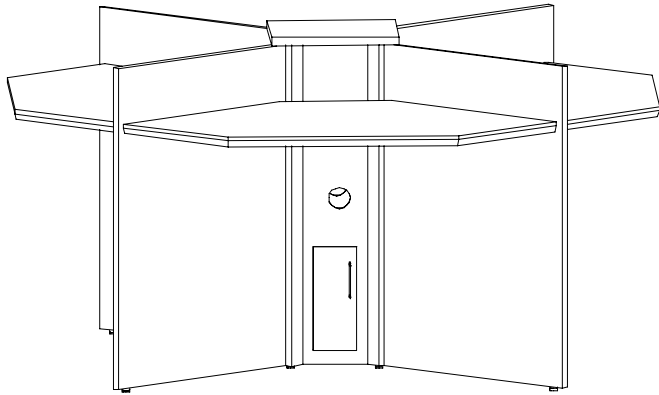
**Six Person Sitting Computer Station for columns.**

This station provides for six computer stations with a common wire chase in the center of the table. The common wire chase is accessed through a door under one of the work stations. This unit can be used to utilize the space around a column for computer stations.

Catalog #	Description	Height"	Width"	Depth"	Price
CF-6P2792A	27" H Sitting-height worksurface	27	92	80	
CF-6P2992A	29" H Sitting-height worksurface	29	92	80	

See Page 135 For Edge Details

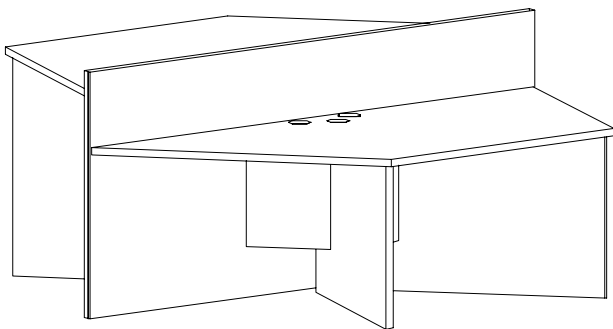




**Adjustable Work Surface  
Computer Station**

This unit provides four individual work stations with a common wire chase for all four position. A door under one of the work stations provides access to the wire chase. Work surfaces can be set at 29", 32", or 39" in height.

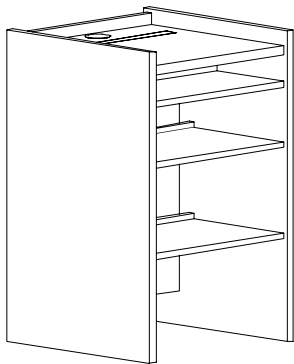
Catalog #	Description	Height"	Width"	Depth"	Price
CF-4P2739	4-position unit	42	84	84	



**Combo Computer Station**

Work surface is 36"H on one side and 29" on the other. Three grommets are inserted into the top on both sides to hide wiring. A 15"D utility shelf and/or a keyboard tray can be added under the work surface for an additional cost - See Accessories for more details.

Catalog #	Description	Height"	Width"	Depth"	Price
H-3629C	Combination-Hex Station	36	85	74	



Shown with  
OPTIONAL CPU  
shelf, paper shelf,  
and work surface  
paper grommet.

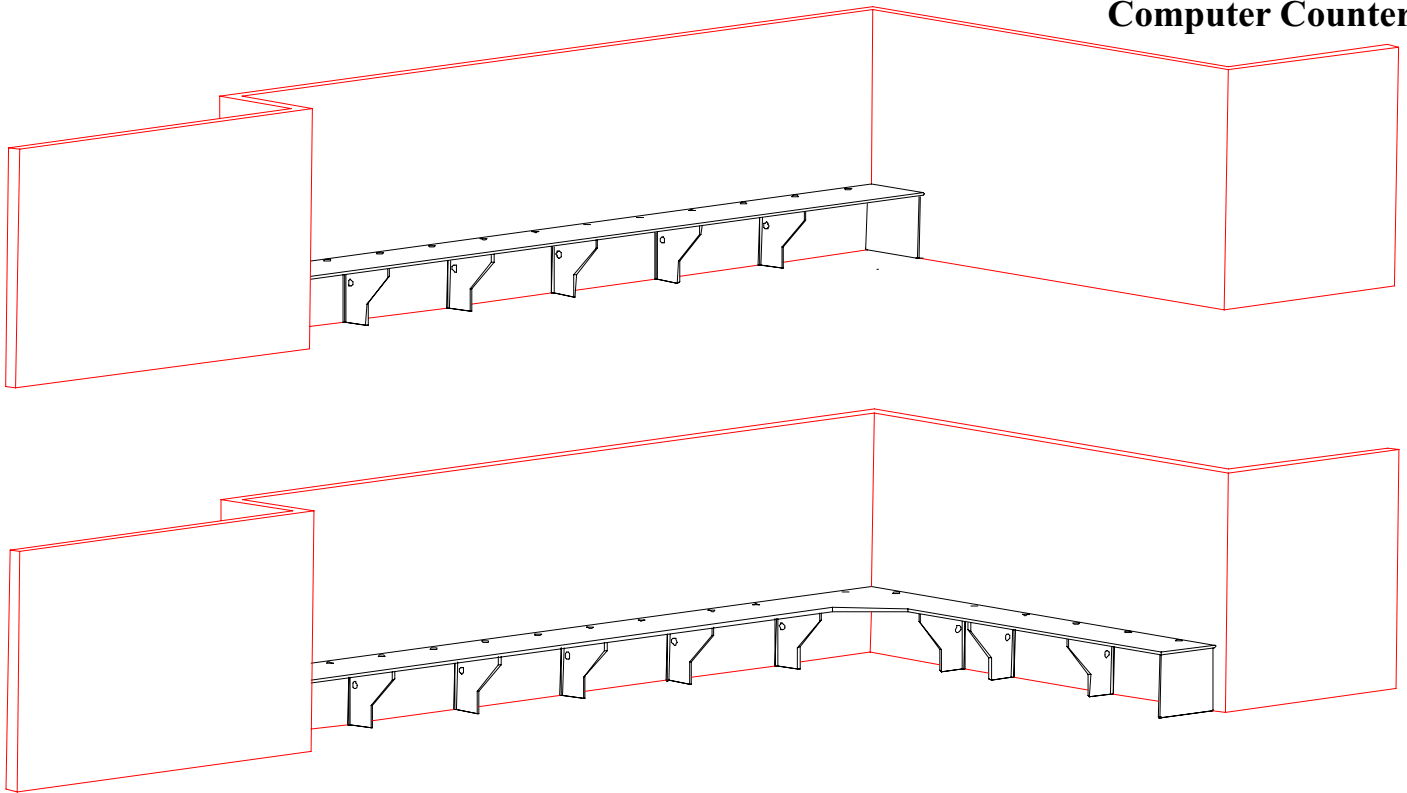
**Free-Standing Walk-up Computer Station**

Each unit is available in 30" OR 24" widths and are supplied with pullout keyboard tray and 3" grommet in work surface.

Catalog #	Description	Height"	Width"	Depth"	Price
CF-2730C	Com Acc Station, 27" H worksurface 30"W	41-1/2	30	24	
CF-2724C	Com Acc Station, 27" H worksurface 24"W	41-1/2	24	24	
CF-2930C	Com Acc Station, 29" H worksurface 30"W	41-1/2	30	24	
CF-2924C	Com Acc Station, 29" H worksurface 24"W	41-1/2	24	24	
CF-3230C	Com Acc Station, 32" H worksurface 30"W	41-1/2	30	24	
CF-3224C	Com Acc Station, 32" H worksurface 24"W	41-1/2	24	24	
CF-3930C	Com Acc Station, 39" H worksurface 30"W	41-1/2	30	24	
CF-3924C	Com Acc Station, 39" H worksurface 24"W	41-1/2	24	24	

See Page 135 For Edge Details

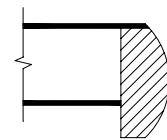
**Computer Counter**



Computer counter work surfaces are 30”D and will be constructed of 1-1/8” thick, 45-pound density particleboard-core with .050” thick high-pressure laminate of the customer’s choosing and .020” thick backer sheet glued to opposite faces for a finished thickness of 1-1/4”. (Note: tops can be constructed from 9 or 11-ply lumber core *for an additional charge*). Patron edge of work surface will be banded with 3/4”T solid red oak with edge profile determined by customer selection from edge band chart (pg 135). Patron edge of work surface will be finished to match end panels.

End panels and stiff knees will be 1”T red oak veneer plywood, edgebanded with 1/4”T solid red oak. Two end panels will be provided per run and stiff knees will be spaced a max. of 60” apart. Counter top sections will be a max. of 10ft. in length with each section being biscuited and tight jointed together. Section lengths will be determined to allow a tight joint to fall on a stiff knee. All base panels will have a matching finish. A matching finish red oak veneer plywood wall anchor (4”W x 3/4”T x appropriate lengths) will be provided. Stiff knees are also designed to anchor to the wall. Grommets for each work station will be provided. J-channel wire management in lengths matching each section will be provided. Stiff knees each have a grommet to provide uninterrupted wire management. Corner section will have a “beveled” shape to allow left and right counter sections to be jointed and for chair movement on either side. Corner will also have a grommet in the work surface to allow for printer or server placement. Corner will be 51-3/4” x 51-3/4” with a 30”W access for sitting or printer access.

**Edge Detail**



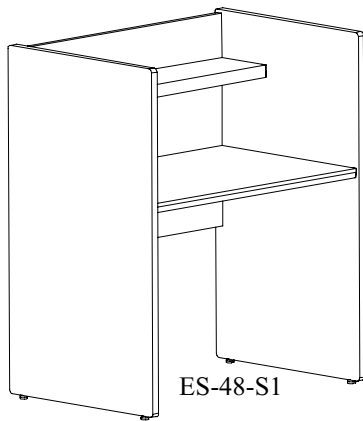
1 1/4” thick top (Internal)  
Shallow Bullnose Drop

NOTE: Counter top lengths must be based on actual field measurements - See your Russwood Dealer for questions.

Catalog #	Description	Height"	Width"	Depth	Price
CC-2730	Computer Counter	27	30	N/A	
CC-2751	Computer Counter Corner	27	51-3/4"	51-3/4"	

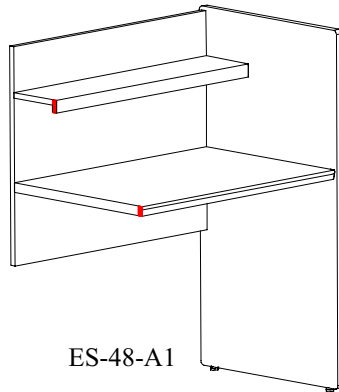
See Page 135 For Edge Details

**Study Carrels - Starter/Adder**

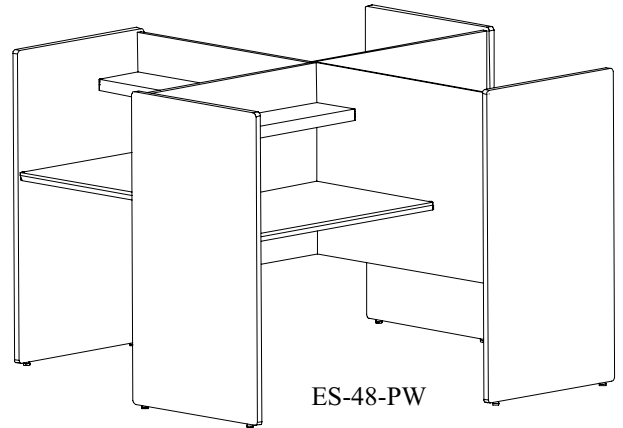


ES-48-S1

**Single Study Carrel (Starter-Adder)**

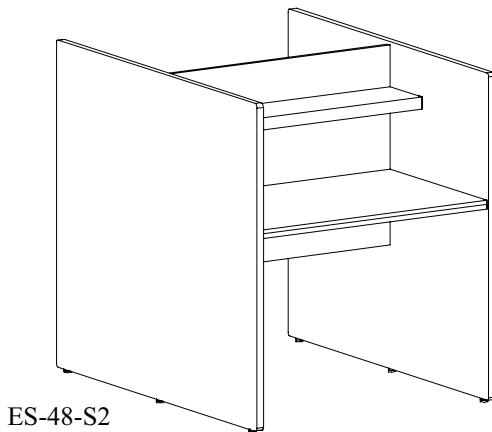


ES-48-A1



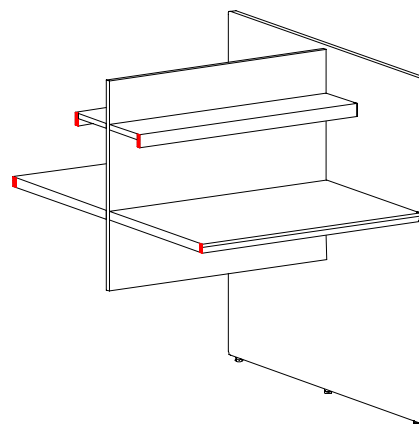
ES-48-PW

**Study Carrel - Pinwheel**



ES-48-S2

**Double Study Carrel (Starter-Adder)**



ES-48-A2

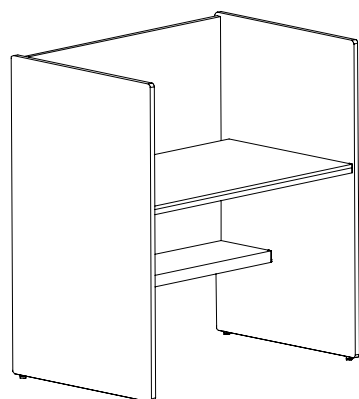
Computer  
Carrels  
Next Page

Catalog #	Description	Height"	Width"	Depth"	Price
ES-48S1	Single-Faced,starter	48	39	29	
ES-48A1	Single-Faced, adder	48	38	29	
ES-48S2	Double-Faced, starter	48	39	57	
ES-48A2	Double-Faced, adder	48	38	57	
ES-48PW	Pinwheel Configuration	48	76	76	

**“BLESSED IS THE MAN, WHO HAVING NOTHING TO SAY,  
ABSTAINS FROM GIVING WORDY EVIDENCE OF THE FACT.”  
- GEORGE ELIOT (1819-1880)**

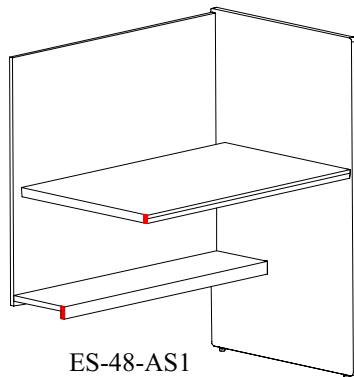
See Page 135 For Edge Details

**Computer Carrels - Starter/Adder**

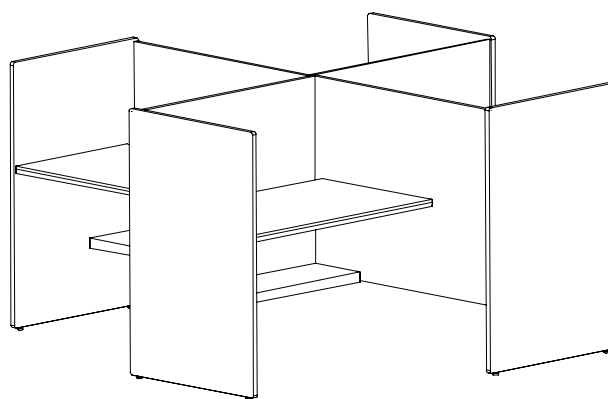


ES-48-CS1

**Single Computer Carrel (Starter-Adder)**

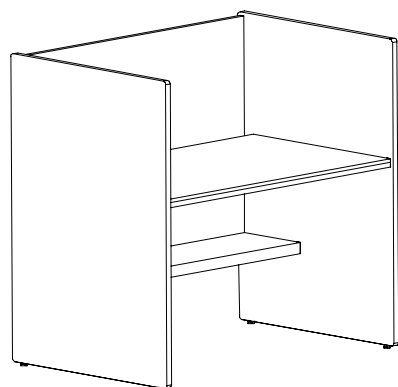


ES-48-AS1



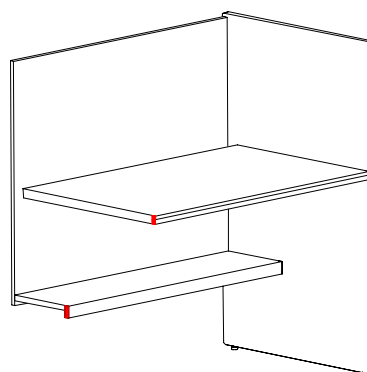
ES-48-CPW

**Computer Carrel - Pinwheel**



ES-48-CS2

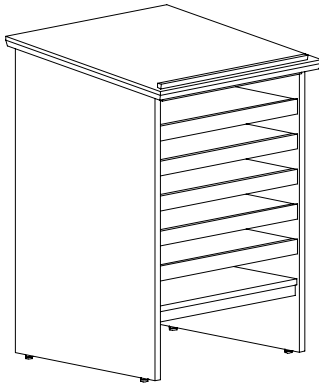
**Double Computer Carrel (Starter-Adder)**



ES-48-CA2

Catalog #	Description	Height"	Width"	Depth"	Price
ES-30CS1	Single-Faced, starter	48	32	34	
ES-30CA1	Single-Faced, adder	48	31	34	
ES-36CS1	Single-Faced, starter	48	38	34	
ES-36CA1	Single-Faced, adder	48	37	34	
ES-48CS1	Single-Faced, starter	48	49	34	
ES-48CA1	Single-Faced, adder	48	48	34	
ES-30CS2	Double-Faced, starter	48	32	64	
ES-30CA2	Double-faced, adder	48	31	64	
ES-36CS2	Double-Faced, starter	48	38	64	
ES-36CA2	Double-Faced, adder	48	37	64	
ES-48CS2	Double-Faced, starter	48	49	64	
ES-48CA2	Double-Faced, adder	48	48	64	
ES-30CPW	Pinwheel Configuration	48	64	64	
ES-36CPW	Pinwheel Configuration	48	76	76	
ES-48CPW	Pinwheel configuration	48	99	99	

See Page 135 For Edge Details

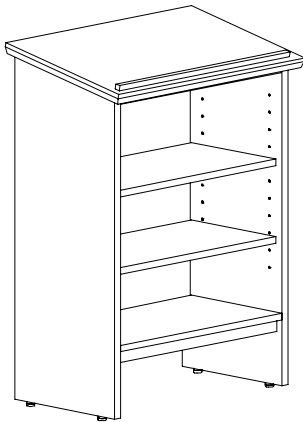


**Atlas Stand**

Each unit will have pullout, full-extension shelves on ball bearing glides. Shelves will be 25-3/4"W x 23-7/8"D and will have stops to prevent accidental removal. Adult unit will have 5 shelves with 3" between shelves. Children's unit will have 4 shelves with 2-1/2" between shelves.

Shelves and pullouts are 3/4" veneer red oak plywood with 1/4" red oak edgeband. Shelves are provided with full extension ball bearing glides rated for 200 lbs. A 5/8"x5/8" red oak retainer strip is fastened to the front sloped edge.

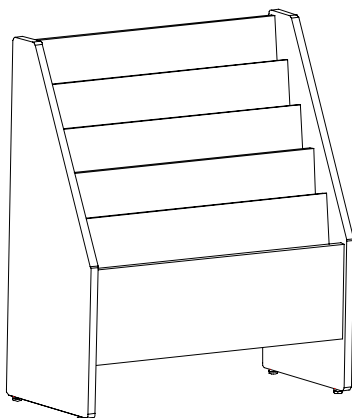
Catalog #	Description	Height"	Width"	Depth"	Price
ES-36A T	Elementary height	35	29	27	
ES-42A T	Adult height	42	29	28	



**Dictionary Stand**

Each unit will have 2 adjustable shelves on 2" centers and 1 fixed base shelf. A 5/8" x 5/8" red oak retainer strip is fastened to the front sloped edge.

Catalog #	Description	Height"	Width"	Depth"	Price
ES-36DS	Elementary height	35	29	18	
ES-43DS	Adult height	43	29	18	

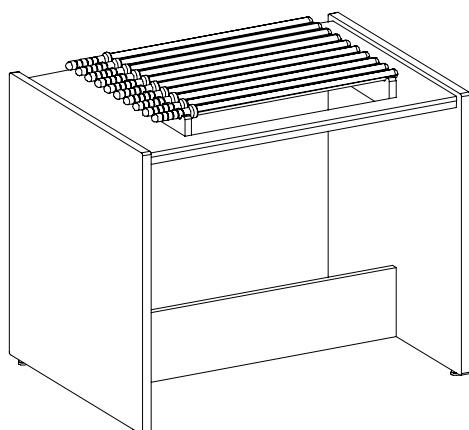


**Magazine Rack**

Each unit will have 5 sloping display pockets formed by 3/4"T, edge banded plywood dividers. Each display pocket will have a closed veneer plywood wood bottom. The back side will have a shelf and will be finished to allow for storage of back issues.

Catalog #	Description	Height"	Width"	Depth"	Price
ES-42MR	Universal height	42	35	17	

See Page 135 For Edge Details



**Horizontal Newspaper Rack**

Each unit will have an open-top frame. Each newspaper rack is designed to accept 10 solid wood newspaper rods. Newspaper rods are included.

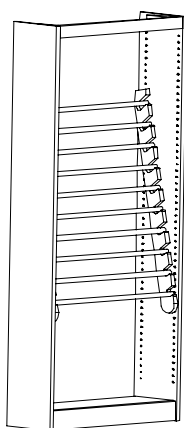
Catalog #	Description	Height"	Length"	Width"	Price
ES-31HR	Universal height	31	36	26	



**Map Case Unit**

Each unit is a stand-alone piece. Units will have 9 stacked drawers. Each drawer will be mounted on 18" full-extension, ball bearing glides with a load rating of 100 lbs. per pair.

Catalog #	Description	Height"	Width"	Depth"	Price
MC-42	Map Case	42	49	29	



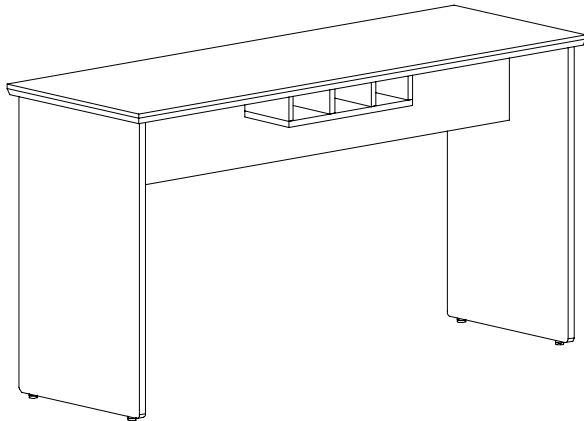
Shelf unit not included.

**Newspaper Rod Insert** will fit into 10" or 12" deep single-faced shelving, 82", 72" or 60" high. Rod insert will be made of two hardwood cleats, 1-1/4" thick with 1" notched slots for rods. Cleats will be attached to uprights with wood screws.

**Rod Insert only is included in pricing.**

Catalog #	Description	Insert Height	Rod Length	Cleat Thickness	Price
INS-8260	Newspaper Rod Insert for 82"H Shelf (Holds 10 rods)	45-1/2"	34-7/16	1-1/4"	
INS-6042	Newspaper Rod Insert for 72"H Shelf (Holds 8 rods)	37"	34-7/16	1-1/4"	
INS-4236	Newspaper Rod Insert for 60"H Shelf (Holds 6 rods)	29-1/8"	34-7/16	1-1/4"	

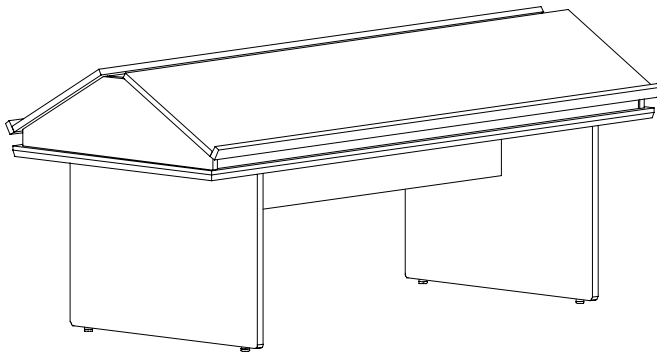
See Page 135 For Edge Details



**Consultation Table**

A three-compartment call-slip rack for 3" x 5" slips will be attached underneath the table.

Catalog #	Description	Height"	Length"	Width"	Price
ES-72CT	Consultation Table	39	72	24	



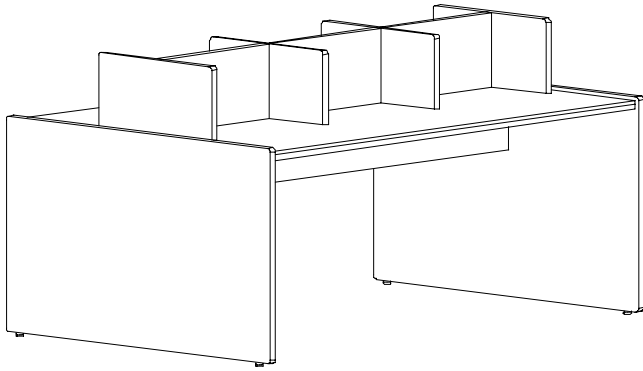
**Picture-Book Table**

The table will consist of two 78"L x 15-3/4"W x 7/8"T tops mounted at a 30 degree angle. A 5/8" square retaining strip will be mounted on the lower edge of each top. A space of 3" will be provided between the tops to allow a full-length book well.

Catalog #	Description	Height"	Length"	Width"	Price
ES-62PT	62"L Picture-Book Table	34	62	31	
ES-78PT	78"L Picture-Book Table	34	78	31	

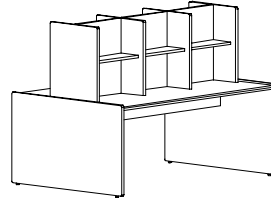
What sculpture is  
 to a block of marble,  
 education is to a human  
 soul. Joseph Addison

See Page 135 For Edge Details

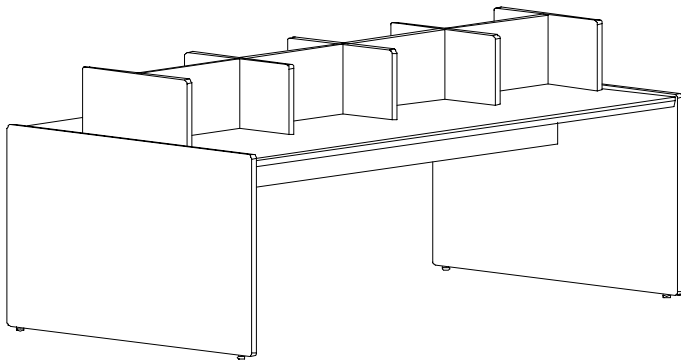


**72”L Index Table**

The single tier shelving superstructure will be 10" high and will have 6 compartments which are 20-1/2" wide. The double tier shelving superstructure will be 24"H and will have 6 compartments which are 20-1/2" wide

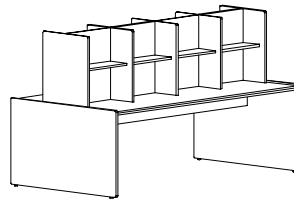


Catalog #	Description	Height"	Length"	Width"	Price
ES-1T72	Single-Tier Double-Faced	39	72	48	
ES-2T72	Double-Tier Double-Faced	53	72	48	



**90”L Index Table**

The single tier shelving superstructure will be 10" high and will have 8 compartments which are 20-1/2" wide. Double tier shelving superstructure is 24”H and have 8 compartments 20-1/2”W.



Catalog #	Description	Height"	Length"	Width"	Price
ES-1T90	Single-Tier Double-Faced	39	90	48	
ES-2T90	Double-Tier Double-Faced	53	90	48	

See Page 135 For Edge Details