

**REGENT™ SERIES  
GENERAL SPECIFICATIONS**

**Desk tops** will be constructed of 1-1/8" thick, 45-pound density particleboard-core with .050" thick high-pressure laminate and .020" thick backer sheet glued to opposite faces for a finished thickness of 1-1/4". (Note: Table tops can be constructed from 9 or 11-ply lumber core *for an additional charge*). Tops will be banded with 1-3/4"W solid red oak, with profile determined by customer selection from edgeband chart. (See page 193) Table edges will be finished to match end panels.

**Desk tops are fastened** to side/end/back panels using 14 gauge steel brackets and top quality wood screws.

**Credenza shelf** is constructed of 3/4" veneer-core red oak plywood. Exposed edges will have a 1/4" solid red oak edgeband. The banded edges of shelves will receive an flush edge.

**End panels** and return modesty panels will be 1"T plain-sliced red oak veneer plywood. A solid red oak 1/2" thick edge band is applied to all exposed panel edges and radiused 1/8". The bottom of the panel base will have two 7/8" diameter leveling glides. Desk modesty panels will be 3/4"T rift cut red oak veneer plywood. All other exposed edges will be banded with solid red oak edge band and radiused 1/8".

**Pedestals** are constructed of 3/4"T plain sliced red oak veneer plywood. All exposed edges will be banded with solid red oak edge band and radiused 1/8". Drawer boxes are constructed of 1/2"T solid red oak with English dovetail. Drawer bottoms are

1/4"T red oak veneer plywood.

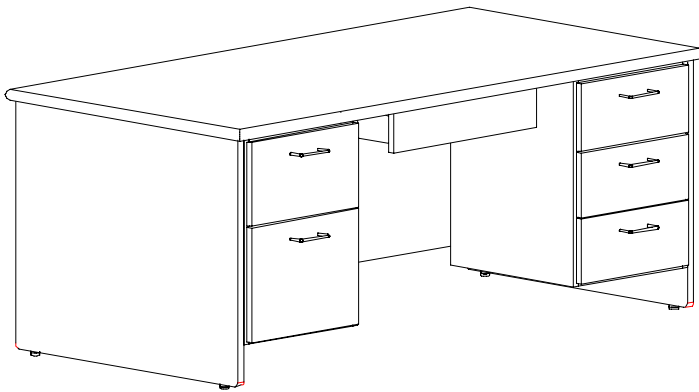
**All drawers** will be will be of English dovetail design and will be constructed using 1/2" thick red oak with a 1/4" thick red oak veneer plywood bottom. Box drawers will be 14-7/8"W x 18"D x 5-1/4"H. File drawers will be 14-7/8"W x 18"D x 10-1/2"H. Pencil drawers will be 18"W x 14-7/8"D x 3"H.

**All doors** will be hung with 110-degree opening, self-closing Salice hinges (180-deg.available if specified) and Salice Smove (tm) door cushion.

**Pulls** for both doors and drawers will be satin chrome 5/16" diameter wire pulls.

**FINISH** - See page 5 for finish specifications.

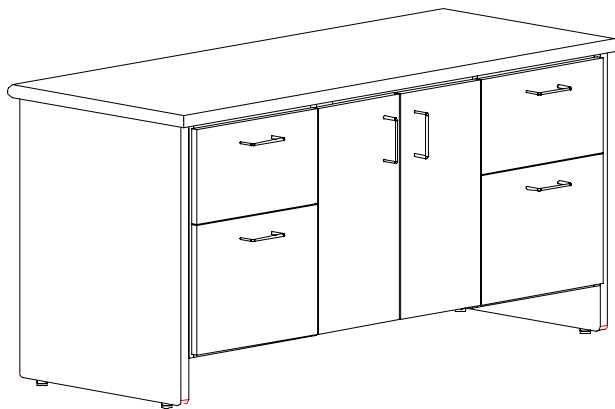
Visit our website at [www.russwood.net](http://www.russwood.net)



## 72" x 36" Desk with file and box drawer pedestals

The desk one hanging pedestal will have (3) box drawers. The other pedestal will have (1) box drawer and (1) file drawer. Each pedestal will have a side mounted gang lock. A pencil drawer will be mounted under the desk top along the front edge.

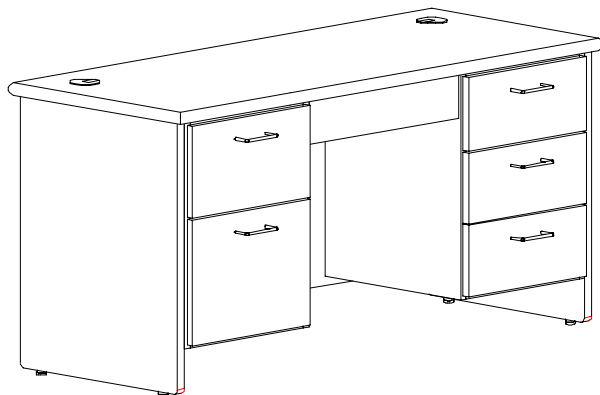
Catalog #	Description	Height"	Width"	Depth"	Price
RG-102	Executive Desk with 2 pedestals	29"	72"	36"	



## Storage Credenza with cupboard & 2 file pedestals

The Credenza will have (2) hanging pedestals with (1) box drawer and (1) file drawer. The center cupboard will have (2) red oak veneer plywood adjustable shelves. Cupboard will have a lock.

Catalog #	Description	Height"	Width"	Depth"	Price
RG-303	Credenza	29"	72"	24"	

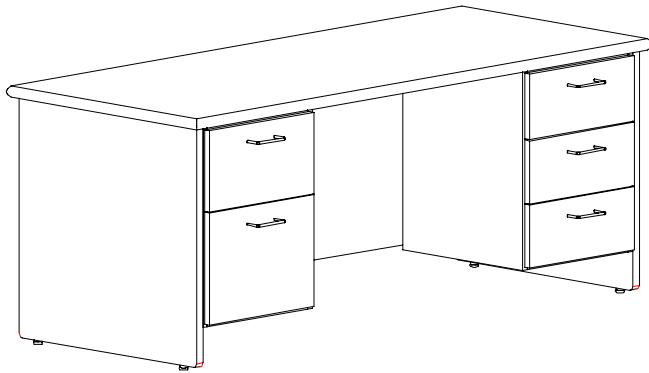


## Computer Credenza with file & box drawer pedestals

The Computer Credenza will have (2) hanging pedestals. One will have (1) box drawer and (1) file drawer. The other pedestal will have (3) box drawers. The center will have an extending keyboard tray with a "drop down" red oak drawer front. Each pedestal will have a side mounted gang lock.

Catalog #	Description	Height	Width	Depth	Price
RG-300-C	Computer Credenza	29"	72"	24"	

SEE PAGE 193 FOR EDGE DETAILS



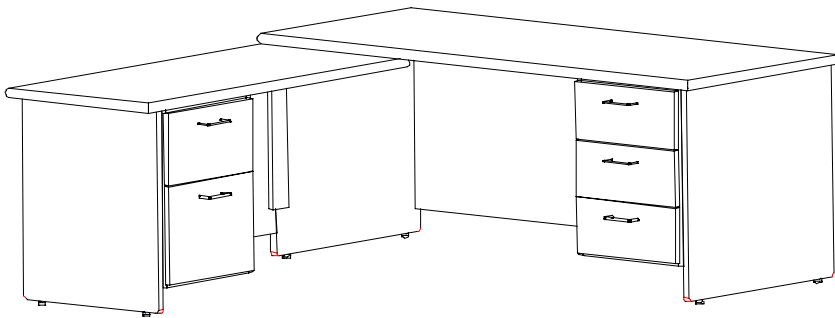
**72" x 30" Desk  
with file and box drawer pedestals**

The desk will have one hanging pedestal will have (3) box drawers. The other pedestal will have (1) box drawer and (1) file drawer. Each pedestal will have a side mounted gang lock.

Catalog #	Description	Height"	Width"	Depth"	Price
RG-202	Manager's Desk with 2 pedestals	29"	72"	30"	

**72" x 30" Desk with left return  
and file and box drawer pedestals**

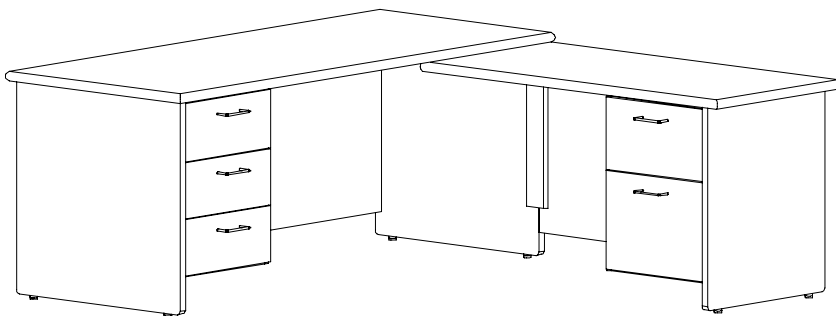
The desk will have a pedestal with (3) box drawers on the right side. The left return will be 48"L x 24"W x 27-3/4"H. The return will have a pedestal with (1) box drawer and (1) file drawer. Both pedestals will have a side mounted gang lock.



Catalog #	Description	Height"	Width"	Depth"	Price
RG-202-LR	Manager's Desk with Left Return and 2 pedestals	29"	72"	30"	

**72" x 30" Desk with right return  
and file and box drawer pedestals**

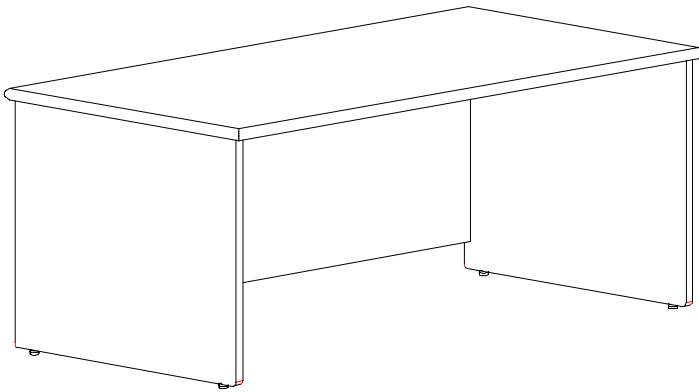
The desk will have a pedestal with (3) box drawers on the left side. The right return will be 48"L x 24"W x 27-3/4"H. The return will have a pedestal with (1) box drawer and (1) file drawer. Both pedestals will have a side mounted gang lock.



Catalog #	Description	Height"	Width"	Depth"	Price
RG-202-RR	Manager's Desk with Right Return and 2 pedestals	29"	72"	30"	

**SEE PAGE 193 FOR EDGE DETAILS**

*The Regent Series also offers you the flexibility to create office furniture to function in your unique work environment. Simply choose the desks size that you and your staff will need. Then if needed add a credenza or return. Finally, choose from various pedestals and accessories or mobile units for each desk or return.*

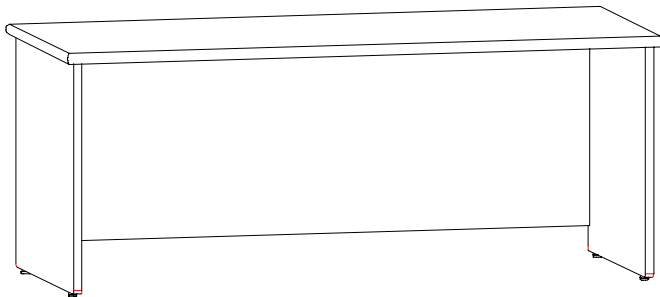


### Desk

A 60"L desk may have either a return or a pedestal. On a 72"L desk, if a return and pedestal is desired, the pedestal will be mounted opposite the return. A variety of accessories are available to use with all desks.

If a desk is ordered without a return and pedestals or accessories are desired, placement of each pedestal and accessory (left, center, right) must be specified on the order.

Catalog #	Description	Height"	Length"	Width"	Price
RG-7236	72" x 36" Desk	29"	72"	36"	
RG-7230	72" x 30" Desk	29"	72"	30"	
RG-6030	60" x 30" Desk	29"	60"	30"	

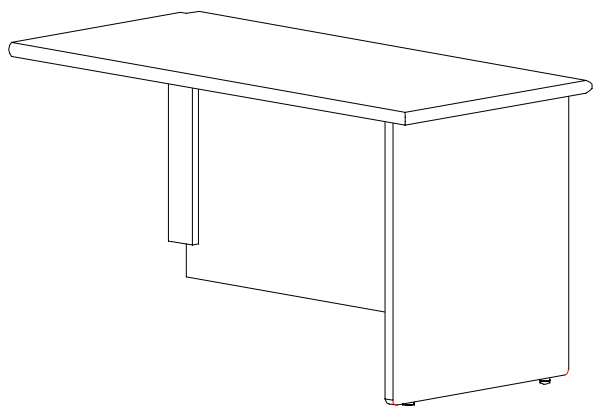


### Credenza

If pedestals or accessories are desired, placement of each pedestal and accessory (left, center, right) must be specified on the order. A variety of accessories are available to use with all credenzas.

Catalog #	Description	Height"	Length"	Width"	Price
RG-472	72" L Credenza	29"	72"	24"	
RG-460	60" L Credenza	29"	60"	24"	

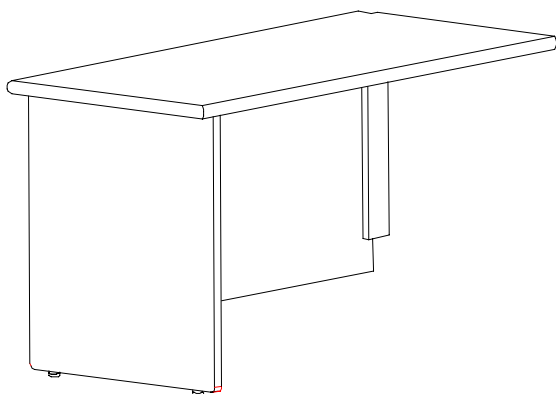
**SEE PAGE 193 FOR EDGE DETAILS**



### Right Return

Right returns can be used on the right side of all desk sizes. If chosen, pedestals will be placed next to the return end panels. A variety of accessories are available to use with all returns.

Catalog #	Description	Height"	Length"	Depth"	Price
RG-536R	36" Right Return	27-3/4"	36"	24"	
RG-548R	48" Right Return	27-3/4"	48"	24"	
RG-560R	60" Right Return	27-3/4"	60"	24"	



### Left Return

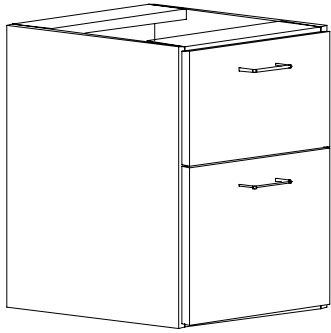
Left returns can be used on the left side of all desk sizes. If chosen, pedestals will be placed next to the return end panels. A variety of accessories are available to use with all returns.

Catalog #	Description	Height"	Length"	Depth"	Price
RG-536L	36" Left Return	27-3/4"	36"	24"	
RG-548L	48" Left Return	27-3/4"	48"	24"	
RG-560L	60" Left Return	27-3/4"	60"	24"	

**> See next three pages for pedestal and accessory choices. >**

See also Accessories Section for electrical accessories for Regent Furniture

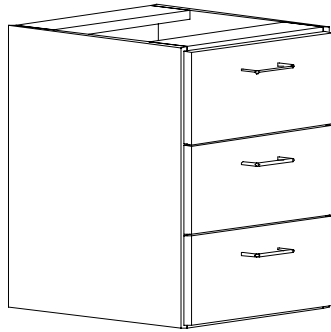
**SEE PAGE 193 FOR EDGE DETAILS**



### Hanging File Drawer Pedestal

This pedestal unit has one (1) box drawer and one (1) file drawer. The file drawer is 14-7/8"W x 10-1/2"H x 18"D and the box drawer is 14-7/8"W x 5-1/4"H x 18" D. Each drawer is constructed with a Satin Chrome Wire-Pull drawer handle. 3/4" red oak veneer plywood and edgembanded with 1/4"T solid red oak on all exposed edges. All drawers will be mounted on 18" full-extension, ball bearing glides with a load rating of 100 pounds per pair. Desks where locks are provided or ordered, locks will be keyed identically.

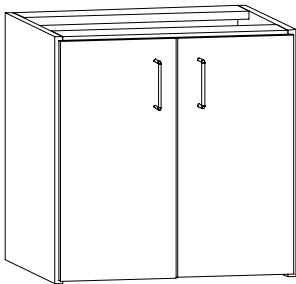
Catalog #	Description	Height"	Width"	Depth"	Price
A-19	Hanging File Drawer Pedestal	22-3/4"	17-3/8"	19-3/4"	



### Hanging Three Drawer Pedestal

This pedestal unit has three (3) equal size box drawers. Each box drawer is 14-7/8"W x 5-1/4"H x 18" D and is constructed with a Satin Chrome Wire-Pull drawer handle. 3/4" red oak veneer plywood and edgembanded with 1/4"T solid red oak on all exposed edges. All drawers will be mounted on 18" full-extension, ball bearing glides with a load rating of 100 pounds per pair. Desks where locks are provided or ordered, locks will be keyed identically.

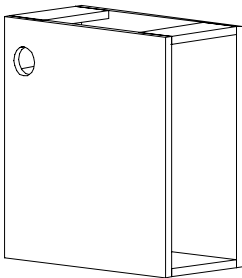
Catalog #	Description	Height"	Width"	Depth"	Price
A-19-3	Hanging Three Drawer Pedestal	22-3/4"	17-3/8"	19-3/4"	



### Hanging Cupboard Pedestal

This pedestal is constructed from 3/4"T red oak veneer plywood and edgembanded with 1/4"T solid red oak on all exposed edges. Unit has (1) adjustable shelf and is enclosed by two equal size doors with satin chrome wire-pull drawer handles. Adjustable shelf size for the A-42 is 31-1/2"W x 18"D x 3/4"T and for the A-43 is 19-1/2"W x 18"D x 3/4"T.

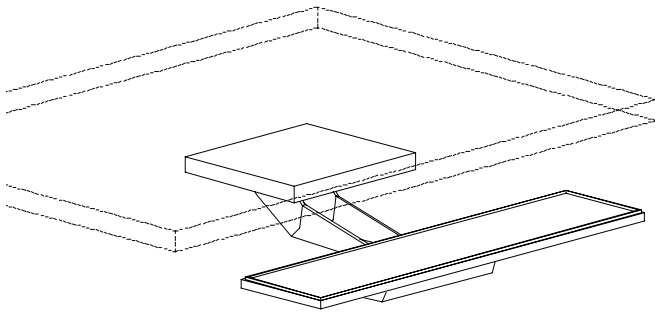
Catalog #	Description	Height"	Width"	Depth"	Price
A-42	Hanging Cupboard for 72"L Credenza	22-3/4"	33-1/4"	19-3/4"	
A-43	Hanging Cupboard for 60"L Credenza	22-3/4"	21-1/4"	19-3/4"	



### Hanging CPU Cabinet

CPU Cabinet can be custom positioned within desk or credenza unit. This pedestal is constructed of 3/4" red oak veneer plywood and edgembanded with 1/4"T solid red oak on all exposed edges. Internal dimensions are 20"D x 9"W x 16"H.

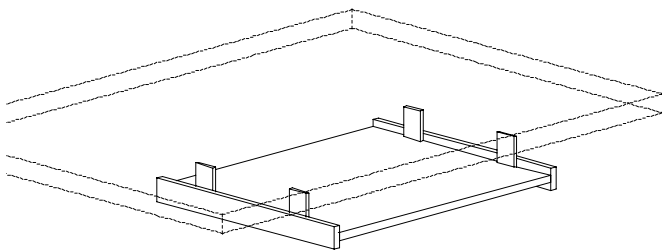
Catalog #	Description	Height"	Width"	Depth"	Price
A-18	Hanging CPU Cabinet	22-3/4"	10-1/2"	20-3/4"	



### Articulating Keyboard Tray

Keyboard pullout consists of metal articulating arm with matching keyboard tray. Key board tray retracts and is adjustable left to right and up and down.

Catalog #	Description	Height"	Width"	Depth"	Price
A-16	Articulating Pull Out Keyboard Tray	6"	20-15/16"	25"	



### Pull-Out Keyboard Tray

The Pullout Keyboard Tray consists of metal ball-bearing glides fastened to a 3/4" T red oak veneer plywood tray. The tray size is 20"W x 16"D and is edgembanded on the front edge with 1/4" T solid red oak.

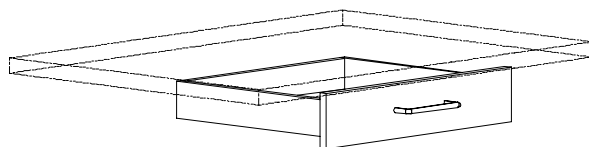
Catalog #	Description	Height"	Width"	Depth"	Price
A-17	Pullout Tray for keyboard	4-1/2"	20"	16"	
A-17-M	Pull out Tray for keyboard and mouse	4-1/2"	28"	16"	



### Flap Down Keyboard Tray

This key board tray is constructed with 1/2" T solid red oak. The front is 3/4" T solid red oak. The key board tray pulls out and the front tilts 90 degrees for keyboard access.

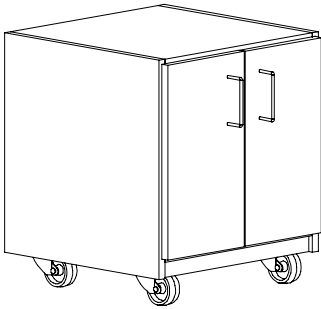
Catalog #	Description	Height"	Width"	Depth"	Price
A-40	Flap Down Keyboard Tray	4-1/4"	28"	18"	



### Pencil Drawer

Pencil drawer can be mounted under any desk or return arrangement where space permits. Pencil drawer inside dimensions are 17"W x 13-7/8"D x 3"H. Drawer pull is satin chrome. Drawer is mounted with full extension ball bearing glides.

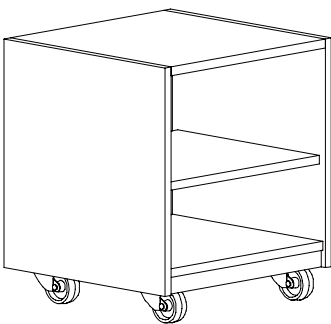
Catalog #	Description	Height"	Width"	Depth"	Price
A-20	Pencil Drawer	4-1/4"	20"	18-3/4"	



**Mobile Cupboard Unit**

Unit end panels are constructed of 1”T red oak veneer plywood. All other components are 3/4”T red oak veneer plywood. All exposed edges are edgebanded with 1/4”T solid red oak. The unit is supplied with one (1) adjustable shelf and one (1) base shelf. The shelf is 22-3/4”W x 17”D x 3/4”D. The back is supplied with two grommets for wire management. Wheels are 210 lbs. rated ball-bearing swivel casters. The unit is supplied with two equal size doors with stain chrome pulls.

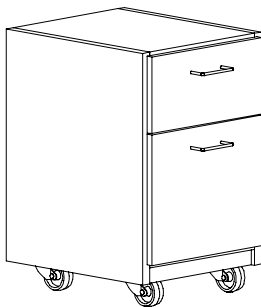
Catalog #	Description	Height"	Width"	Depth"	Price
A-27	Mobile Cupboard	25-3/4	25	20	



**Mobile Open Shelf Unit**

Unit end panels are constructed of 1”T red oak veneer plywood. All other components are 3/4”T red oak veneer plywood. All exposed edges are edgebanded with 1/4”T solid red oak. The unit is supplied with one (1) adjustable shelf and one (1) base shelf. The shelf is 22-3/4”W x 17”D x 3/4”D. The back is supplied with two grommets for wire management. Wheels are 210 lbs. rated ball-bearing swivel casters.

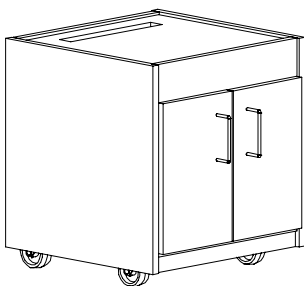
Catalog #	Description	Height"	Width"	Depth"	Price
A-29	Mobile Open Shelf	25-3/4	25	20	



**Mobile File Unit**

Unit end panels are constructed of 1”T red oak veneer plywood. All other components are 3/4”T red oak veneer plywood. All exposed edges are edgebanded with 1/4”T solid red oak. Unit is supplied with one (1) box and one (1) file drawer. The box drawer is 14-7/8”W x 5-1/4”H x 18”D. The file drawer is 14-7/8”W x 10-1/2”H x 18”D. The unit is counterbalanced so that it does not tip over under normal usage. Wheels are 210 lbs. rated ball-bearing swivel casters.

Catalog #	Description	Height"	Width"	Depth"	Price
A-23	Mobile File Unit	25	17	19	



**Mobile Printer Stand**

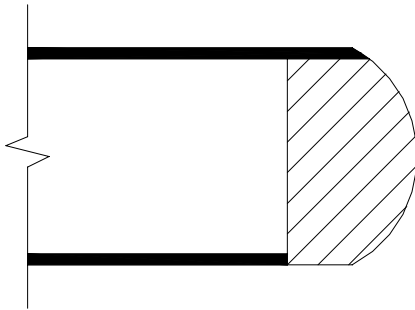
Unit end panels are constructed of 1”T red oak veneer plywood. All other components are constructed with 3/4”T red oak veneer plywood. Unit is supplied with one (1) adjustable shelf and one (1) base shelf. The shelf is 22-13/4”W x 17”D x 3/4”T. Adj. Shelf is notched for wiring management. All exposed edges are edgebanded with 1/4”T solid red oak. Doors have satin chrome pulls. The bottom is supplied with a grommet for wire management. Wheels are 210 lbs rated ball-bearing swivel casters. The top is removable and is slotted for printer paper.

Catalog #	Description	Height"	Width"	Depth"	Price
A-24	Mobile Printer Stand	22-3/4"	20-1/2"	19-3/8"	

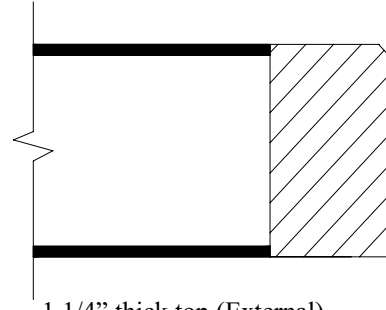


**EDGE DETAILS FOR THE REGENT SERIES**

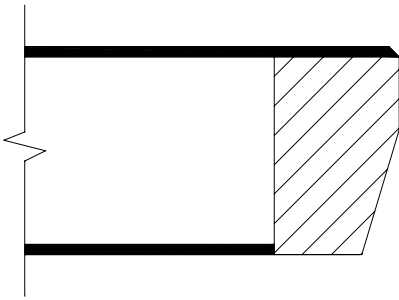
**Regent Series work surfaces may only have one of the 3/4”T solid red oak edge details below.**



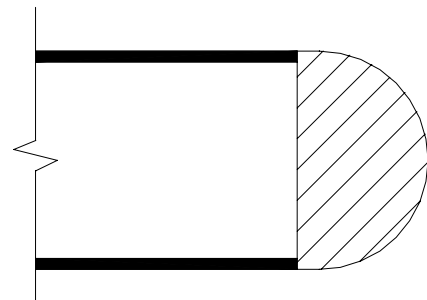
1 1/4” thick top (Internal)  
**Shallow Bullnose Flush**



1 1/4” thick top (External)  
**Montana Flush**



1 1/4” thick top (Internal)  
**Premier Flush**



1 1/4” thick top (External)  
**Bullnose Flush**

