

GENERAL SPECIFICATIONS

Flat and sloped-shelf book trucks will utilize a 1" thick, red oak veneer plywood for load-bearing end panels and 3/4" thick red oak veneer plywood for shelves. End panels will be banded with 1/2" thick red oak. Edges will be radiused 1/8" and corners will be radiused 1/2".

Flat and sloped-shelf units will have on 5" diameter swivel casters. Caster forks are cold-rolled steel, heat treated, and nickel-plated with a per-caster load capacity of 300 lbs. each. Casters are attached with 4-5/16" diameter machine bolts each.

All shelves will be doweled and glued into truck end panels, supported with wooden screw cleats for added strength.

Depressible book trucks will be constructed using 3/4" thick, 7-ply veneer-core plywood. Edges will be banded with 1/4" thick matching hardwood with eased edges. Each truck will be fitted with a high-quality, depressible spring mechanism. Depressible trucks will ride on four (4) 3" ball-bearing swivel casters, rated at 210 lbs. Each caster bolt-attaches with (4) 5/16" diameter machine bolts.

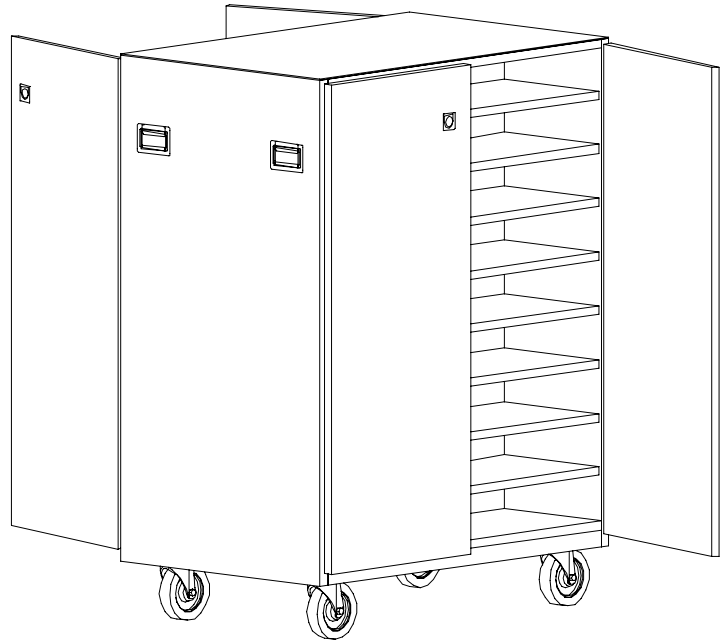
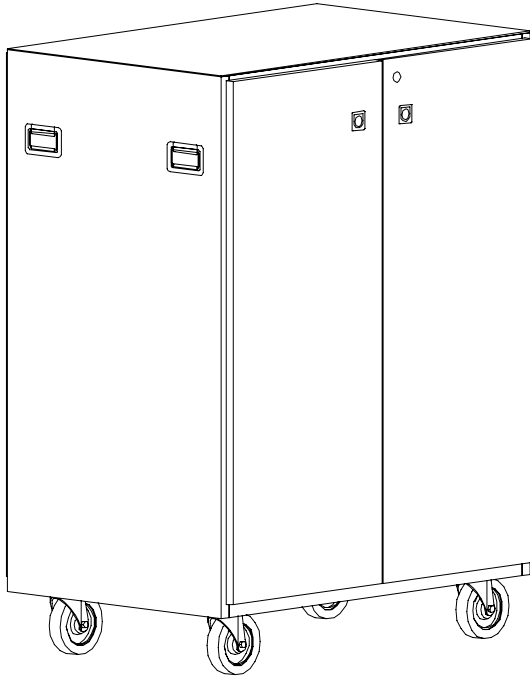
Depressible book trucks are designed to fit within the book return unit of both adult and elementary heights so as to provide full mobility and full removal when book receptacle is full. The appropriate depressible unit is list with each circulation desk series.

Depressible book trucks employ a spring mechanism which allows for the gentle deposit of reading materials by reducing the distance a book must drop once deposited.

Other mobile units will utilize a 1" T oak veneer plywood for load bearing end panels and 3/4" T red oak veneer plywood for all other components. All exposed edges of plywood are banded with 1/4" T red oak. All banded edges will have a 1/4" radius. All uniys will ride on four (4) 3" ball-bearing swivel casters, rated at 210 lbs. Each caster bolt-attaches with (4) 5/16" diameter machine bolts.

FINISH - See page 5 for finish specifications.

Visit our website at www.russwood.net

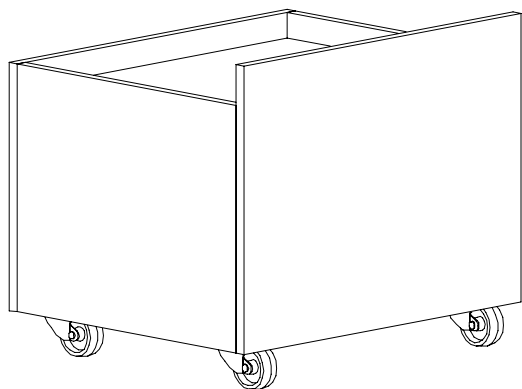


Mobile Laptop Computer Cupboard

This unit will be constructed with 1”T oak veneer plywood end panels. All remaining panels and shelves will be 3/4”T oak veneer plywood. All exposed edges will be banded with 1/4”T solid oak edgeband. Wheels are 5”Dia 300 lbs. rated ball-bearing swivel casters. Cupboard has two equal size doors per side with locks. Top of the unit is covered with matching woodgrain laminate. For ease in handling end panels will have two recessed folding case handles. For door clearance, each door will have one recessed folding case handle.

Each adjustable shelf will be 34-3/4”W x 11-1/2”D x 3/4”T. Unit has 8 adjustable shelves and one base shelf per side and can hold up to 36 laptop computers. (Two computers per shelf) When shelves are spaced equally there will be 4” between shelves.

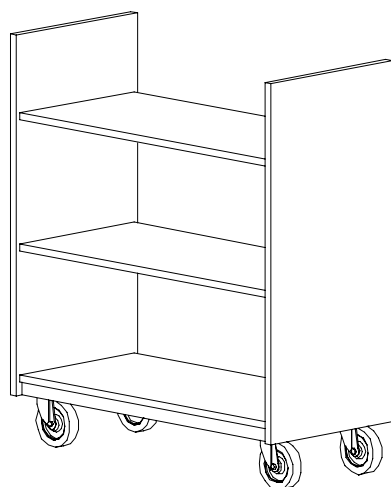
Catalog #	Description	Height"	Width"	Depth"	Price
A-44	Mobile Laptop Computer Cupboard	50-1/4"	37	25-1/2	



Depressible Book Truck

Each unit will have a depressible platform that will hold approximately 70 books. Each unit will have four 3" swivel casters mounted with 5/16" dia bolts.

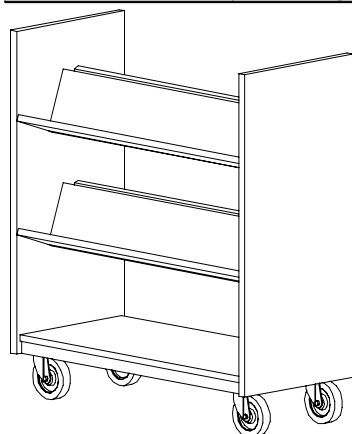
Catalog #	Description	Height"	Width"	Depth"	Price
BT-D32	Elementary height	22	26	22	
BT-D39	Adult height	29	26	22	



Flat-Shelf Book Truck

Each unit will have shelves that are cleated, glued and screwed into the ends. Additionally, 1" square hardwood cleats will be glued and screwed under each end of both shelves. Trucks will have 13-3/8" clearance between shelves.

Catalog #	Description	Height"	Width"	Depth"	Price
BT-F32	Elementary height	44	33	14	
BT-F39	Adult height	44	39	14	



Sloped-Shelf Book Truck

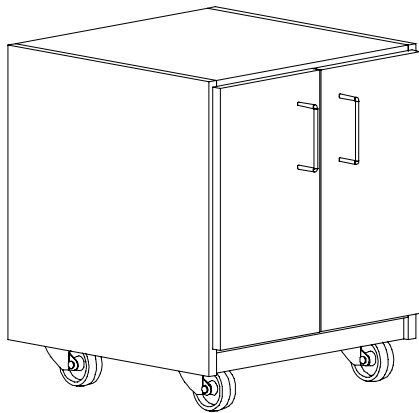
Each unit will have shelves that are cleated, glued and screwed into the ends. Two top shelves will be double faced and sloped. Bottom shelf will be flat. Additionally, 1" square hardwood cleats will be glued and screwed under each end of both shelves. Trucks will have 13-3/8" clearance between shelves.

Catalog #	Description	Height"	Width"	Depth"	Price
BT-S32	Elementary height	44	33	17	
BT-S39	Adult height	44	39	17	

Mobile Units

Book Trucks & More

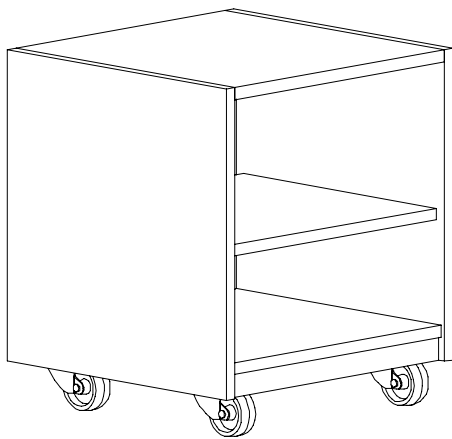
Russwood Library Furniture



Mobile Cupboard Unit

This unit is supplied with two (2) adjustable shelves for the adult height and one (1) adjustable shelf for the elementary height. The back is supplied with grommets for wire management. Bottom shelf is 23"W x 18"D. Adjustable shelf is 22-3/4"W x 17"D.

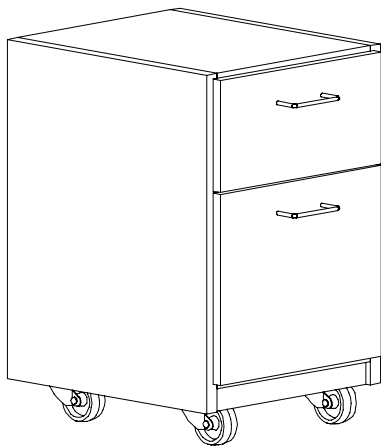
Catalog #	Description	Height"	Width"	Depth"	Price
A-27	Elementary height	26	25	19-3/4	
A-28	Adult height	36	25	19-3/4	



Mobile Open Shelf Unit

This unit is supplied with two (2) adjustable shelves for the adult height and one (1) adjustable shelf for the elementary height. The back is supplied with grommets for wire management. Bottom shelf is 23"W x 18"D. Adjustable shelf is 22-3/4"W x 17"D.

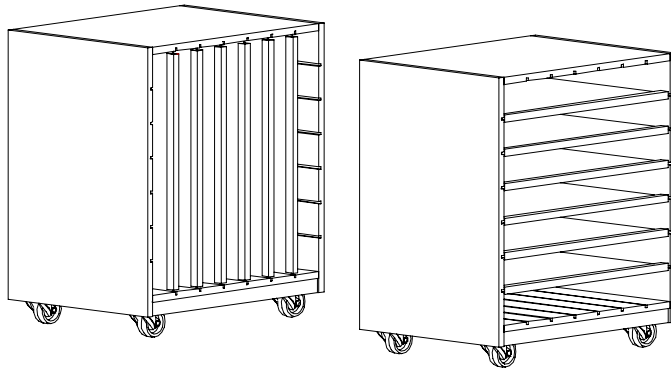
Catalog #	Description	Height"	Width"	Depth"	Price
A-29	Elementary height	26	25	19	
A-30	Adult height	36	25	19	



Mobile File Cabinet

The elementary height unit is supplied with (1) box and (1) file drawer. The intermediate height unit is supplied with (2) boxes and (1) file. The adult height unit is supplied with (1) box drawer and (2) file drawers. The box drawer is 14-7/8"W x 18"D x 5-1/4"H. The file drawer is 14-7/8"W x 18"D x 10-1/2"H. The unit is counterbalanced so that it does not tip over under normal use when the file drawer is opened.

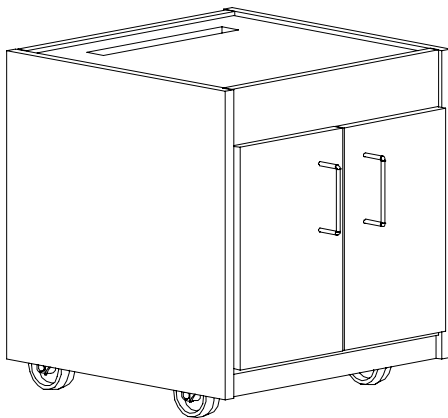
Catalog #	Description	Height"	Width"	Depth"	Price
A-23	Elementary height	26-1/4	17-7/8	19-1/4	
A-23A	Intermediate height	31	17-7/8	19-1/4	
A-23B	Adult height	36	17-7/8	19-1/4	



Big Book Truck

The outside of the this book truck unit is doweled and glued together. The top and sides of the unit are slotted so that removable dividers can be place in them vertically or horizontally.

Catalog #	Description	Height"	Width"	Depth"	Price
BT-B32	Elementary height (not available in adult height)	31	27	20	



Mobile Printer Stand

Unit end panels are constructed of 1”T oak veneer plywood. All other components are constructed with 3/4”T oak veneer plywood. Unit is supplied with one (1) adjustable shelf and one (1) base shelf. The shelf is 22-134”W x 17”D x 3/4”T. Adj. Shelf is notched for wiring management. All exposed edges are edgebanded with 1/4”T solid oak. Doors have satin chrome pulls. The bottom is supplied with a grommet for wire management. Wheels are 210 lbs rated ball-bearing swivel casters. The top is removable and is slotted for printer paper.

Catalog #	Description	Height"	Width"	Depth"	Price
A-24	Universal height	22-3/4	20-1/2	20-1/8	

“Anyone who stops learning is old, whether at twenty or eighty.
Anyone who keeps learning stays young.”

Henry Ford