

PROVIDENCE SERIES GENERAL SPECIFICATIONS

All work surfaces will be constructed of 1-1/8" thick, 45-pound density particleboard-core with .050" thick high-pressure laminate and .020" thick backer sheet glued to opposite faces for a finished thickness of 1-1/4". (Note: Table tops can be constructed from 5 PLY lumber core or 11 PLY veneer core (*for an additional charge*). Tops will be banded solid red oak with 3/4" T and profile determined by customer selection from edge band chart (EDGE DETAILS NOTED THROUGHOUT). The edge band will be of sufficient width to provide a 1/2" drop edge beneath the table core to hide mounting plates. Table edges will be finished to match table legs and/or end panels.

Computer table and carrel tops only will have grommets and J-wire managers to provide control and concealment of equipment wires.

Tops 60" long or more will have one 14-gauge, V-shaped steel keel that will be 5-1/2" shorter than the overall table length. **Tops longer than 72"** in length will receive a fifth leg at the center of the table with V-shaped keels along the length. **Tops wider than 48"** (and longer than 72") will receive two legs spaced evenly across the center.

Curbing and Index Table Shelving are constructed of 1" veneer-core red oak plywood secured to the table top by screws passing through the table top and into the shelving assembly. Exposed edges will have a 1/2" T solid red oak edge band. The banded edges of the uprights and shelves will receive an eased edge.

Study and Computer Carrels are "starter/adder" designed and have 3/4" veneer core plain-sliced plywood side and back panels. A 1/2" T solid red oak edge band is applied to exposed panel edges. Vertical panel edges are machined for Mod-Eze Clips (R) to receive shoulder fasteners mounted on leg posts and end panels.

Study Carrels only have an 8" D bookshelf mounted on the back panel above the work surface. 3/4" veneer core plywood, solid red oak edge band, fastened on three sides with solid wood cleats.

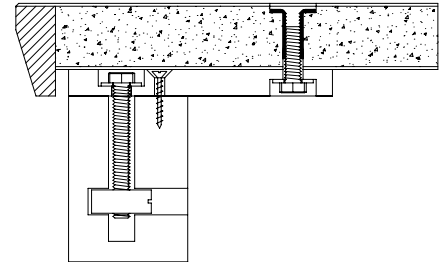
Computer Carrels only have a 12" D shelf mounted under the work surface made of 3/4" red oak veneer plywood, 1/4" T solid red oak edgeband, fastened on three

sides with solid wood cleats.

Display Unit side panels are 1" (back panels 3/4") core veneer plain sliced red oak plywood. A 5/8" x 5/8" red oak retainer strip is fastened to the front sloped edge. Shelves and pullouts are 3/4" veneer red oak plywood with 1/4" red oak edgeband. Atlas stand shelves are provided with full extension ball bearing glides rated for 200 lbs.

All Providence Series legs will be 2-1/4" square, glued-up red oak with a 1/4" radius on all edges. Legs will have an 1-3/4" diameter threaded leveling glide which is mounted in countersunk and recessed T-nut. Legs will be attached to the table

top by means of a 5" x 5" x 1/2" steel plate. A threaded steel barrel nut will be inserted on the inner corner of the leg approx. 2" from the top. A 5/16"-18 x

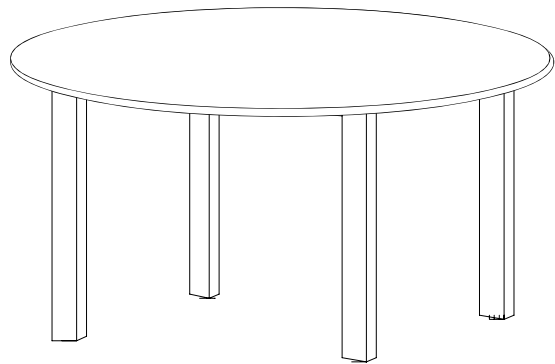


3" machine bolt will pass through the 1/2" steel plate down through the top of the leg and in to the barrel nut, firmly securing the two pieces together. A #10 x 1-1/4" flat head wood screw is then set into the plate and leg to prevent the two pieces from turning. This assembly is then attached to the table top with three 5/16"-18 x 1" hex-head machine bolts, screwed into three T-nut inserts which are in the top side of the table.

An OPTIONAL 3/4" x 1-1/2" red oak apron can be screw-attached around the underside of the top. The screw will be #8 x 2" and countersunk on underside of apron. All apron options will be priced prior to order placement and must be specified on the order.

FINISH - See page 5 for finish specifications.

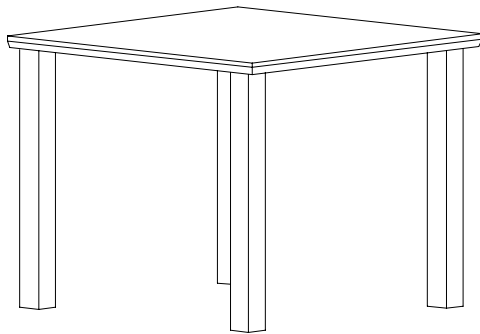
Visit our web site at www.russwood.net



Round Table

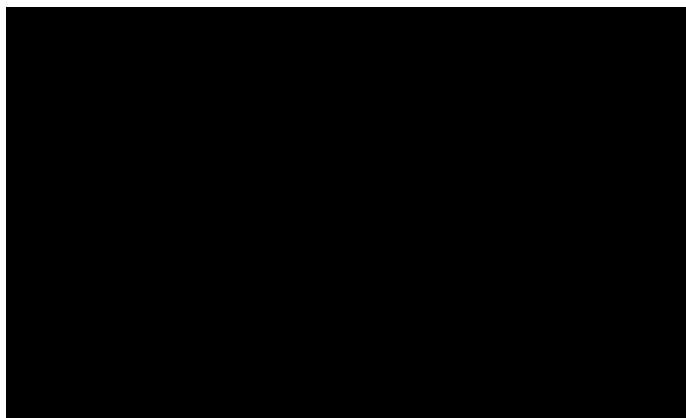
Catalog #	Description	Height"	Diameter"		Price
PS-25R36	25"H Round Table	25	36		
PS-25R42	25"H Round Table	25	42		
PS-25R48	25"H Round Table	25	48		
PS-25R60	25"H Round Table	25	60		
PS-27R36	27"H Round Table	27	36		
PS-27R42	27"H Round Table	27	42		
PS-27R48	27"H Round Table	27	48		
PS-27R60	27"H Round Table	27	60		
PS-29R36	29"H Round Table	29	36		
PS-29R42	29"H Round Table	29	42		
PS-29R48	29"H Round Table	29	48		
PS-29R60	29"H Round Table	29	60		

Square Table



Catalog #	Description	Height"	Length"	Width"	Price
PS-25S36	25"H Square Table	25	36	36	
PS-25S42	25"H Square Table	25	42	42	
PS-25S48	25"H Square Table	25	48	48	
PS-27S36	27"H Square Table	27	36	36	
PS-27S42	27"H Square Table	27	42	42	
PS-27S48	27"H Square Table	27	48	48	
PS-29S36	29"H Square Table	29	36	36	
PS-29S42	29"H Square Table	29	42	42	
PS-29S48	29"H Square Table	29	48	48	

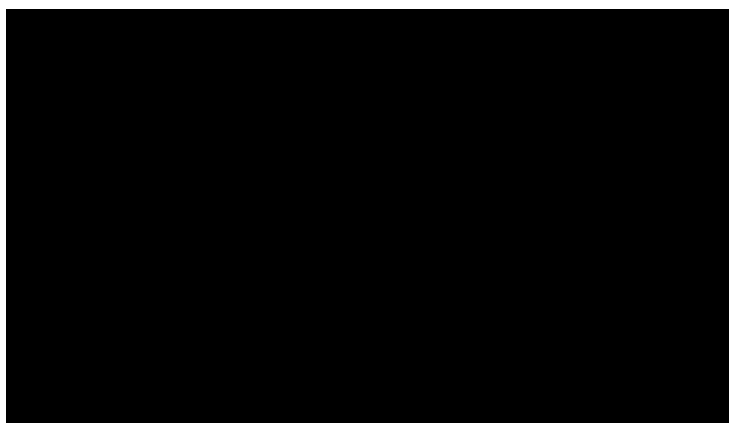
SEE PAGE 112 FOR EDGE DETAILS



Four-Person Reading Table

Table shown with OPTIONAL apron

Catalog #	Description	Height"	Length"	Width"	Price
PS-254R01	25"H Four-Person Reading Table	25	60	36	
PS-254R02	25"H Four-Person Reading Table	25	72	36	
PS-254R04	25"H Four-Person Reading Table	25	72	42	
PS-254R03	25"H Four-Person Reading Table	25	72	48	
PS-274R01	27"H Four-Person Reading Table	27	60	36	
PS-274R02	27"H Four-Person Reading Table	27	72	36	
PS-274R04	27"H Four-Person Reading Table	27	72	42	
PS-274R03	27"H Four-Person Reading Table	27	72	48	
PS-294R01	29"H Four-Person Reading Table	29	60	36	
PS-294R02	29"H Four-Person Reading Table	29	72	36	
PS-294R04	29"H Four-Person Reading Table	29	72	42	
PS-294R03	29"H Four-Person Reading Table	29	72	48	

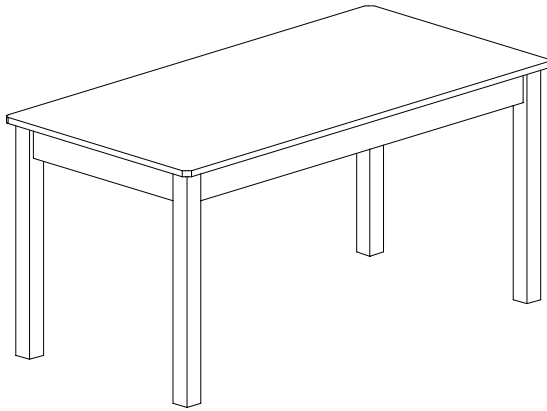


Six-Person Reading Table

Table shown with OPTIONAL apron

Catalog #	Description	Height"	Length"	Width"	Price
PS-256R01	25"H Six-Person Reading Table	25	90	36	
PS-256R03	25"H Six-Person Reading Table	25	90	42	
PS-256R02	25"H Six-Person Reading Table	25	90	48	
PS-276R01	27"H Six-Person Reading Table	27	90	36	
PS-276R03	27"H Six-Person Reading Table	27	90	42	
PS-276R02	27"H Six-Person Reading Table	27	90	48	
PS-296R01	29"H Six-Person Reading Table	29	90	36	
PS-296R03	29"H Six-Person Reading Table	29	90	42	
PS-296R02	29"H Six-Person Reading Table	29	90	48	

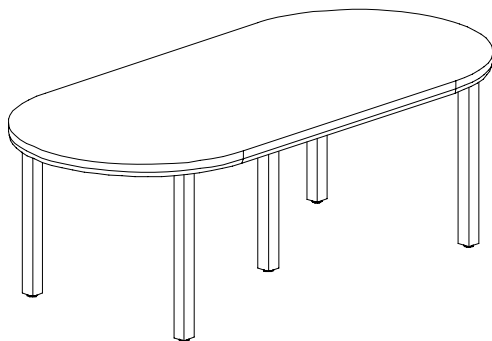
SEE PAGE 112 FOR EDGE DETAILS



Activity Table

Table top will be 3/4”T 45-pound density particleboard-core with .050” thick high-pressure laminate and .020” thick backer sheet glued to opposite faces. Top edges will be banded with 3/4”T solid red oak with a shallowbull nose drop detail. Aprons will be 3/4”T x 3-1/2”W solid red oak. Apron frame will be fastened together with (4) 35 gauge formed steel apron brackets via (6) wood screws. Aprons will fasten to the top using 1/4” bolts and threaded T-nuts placed in the top surface under the laminate. Legs will be 2-1/4” square, glued-up solid hardwood with a 1/8” radius on all edges. Legs will double bolt to the apron via the apron brackets.

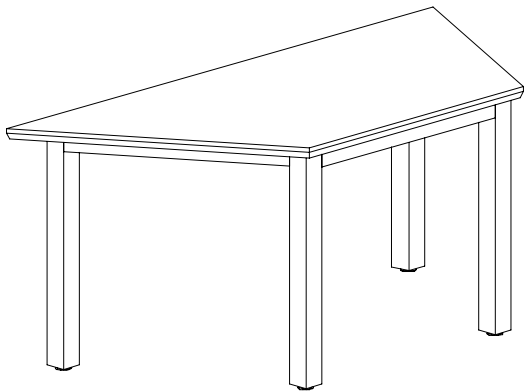
Catalog #	Description	Height"	Length"	Width"	Price
PS-25A01	25"H Activity Table	25	30	30	
PS-25A02	25"H Activity Table	25	42	30	
PS-25A03	25"H Activity Table	25	48	30	
PS-25A04	25"H Activity Table	25	60	30	
PS-25A05	25"H Activity Table	25	72	30	
PS-25A06	25"H Activity Table	25	90	30	
PS-27A01	27"H Activity Table	27	30	30	
PS-27A02	27"H Activity Table	27	42	30	
PS-27A03	27"H Activity Table	27	48	30	
PS-27A04	27"H Activity Table	27	60	30	
PS-27A05	27"H Activity Table	27	72	30	
PS-27A06	27"H Activity Table	27	90	30	
PS-29A01	27"H Activity Table	29	30	30	
PS-29A02	27"H Activity Table	29	42	30	
PS-29A03	27"H Activity Table	29	48	30	
PS-29A04	27"H Activity Table	29	60	30	
PS-29A05	27"H Activity Table	29	72	30	
PS-29A06	27"H Activity Table	29	90	30	



Race Track Table

Catalog #	Description	Height"	Length"	Width"	Price
PS-904227RT	27"H Race Track Table	27	90	42	
PS-904827RT	27"H Race Track Table	27	90	48	
PS-904229RT	29"H Race Track Table	29	90	42	
PS-904829RT	29"H Race Track Table	29	90	48	

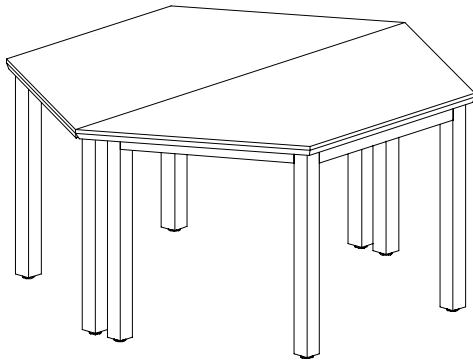
SEE PAGE 112 FOR EDGE DETAILS



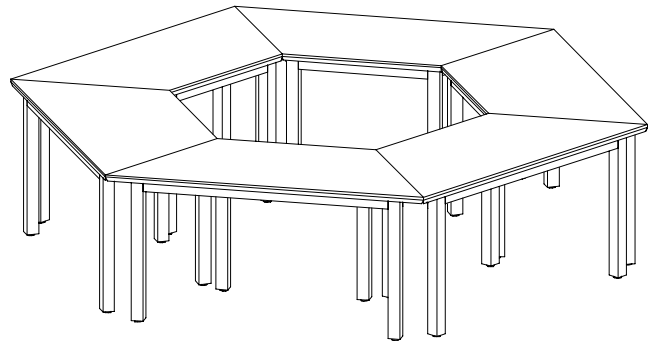
Trapezoid Table

Table shown with OPTIONAL apron

For this configuration order two (2) tables
(60"W x 50-1/2"D overall dimensions)



For this configuration order six (6) tables
(120"W x 104"D overall dimensions)



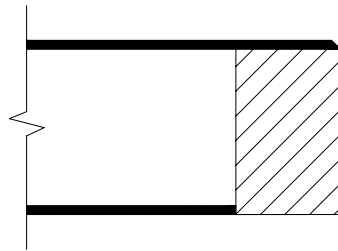
Catalog #	Description	Height"	Length"	Width"	Price
PS-306027TZ	27"H Trapezoidal Round Table	27	60	25	
PS-306029TZ	29"H Trapezoidal Round Table	29	60	25	
PS-306032TZ	32"H Trapezoidal Round Table	32	60	25	

"The aim of education should be to teach us rather how to think, than what to think - rather to improve our minds, so as to enable us to think for ourselves, than to load the memory with thoughts of other men."
Bill Beattie

SEE PAGE 112 FOR EDGE DETAILS

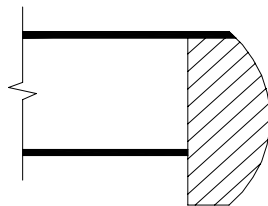
Planning For & Ordering Edgeband for Providence Series Activity & Reading Tables

**Edge Detail
for
Providence Series
Activity Table**

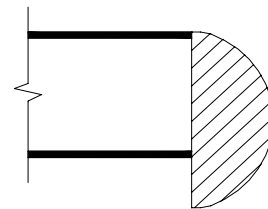


3/4" thick top (Internal)
Montana Drop

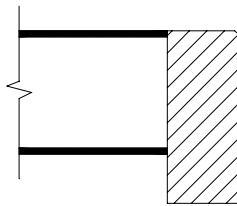
**Edge Details
for
Providence Series
Reading Tables
Race Track Table
Trapezoid Table**



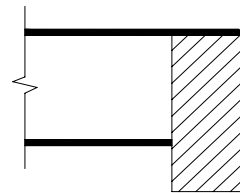
1 1/4" thick top (Internal)
Shallow Bullnose Drop



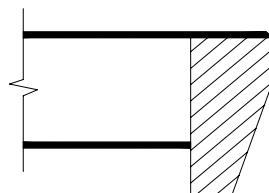
1 1/4" thick top (External)
Bullnose Drop



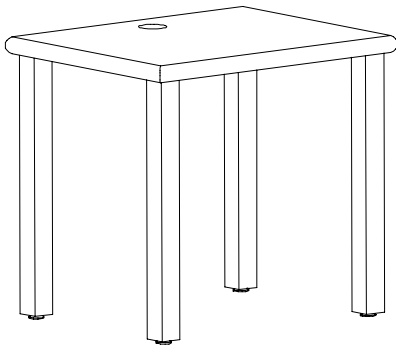
1 1/4" thick top (External)
Montana Drop



1 1/4" thick top (Internal)
Montana Drop



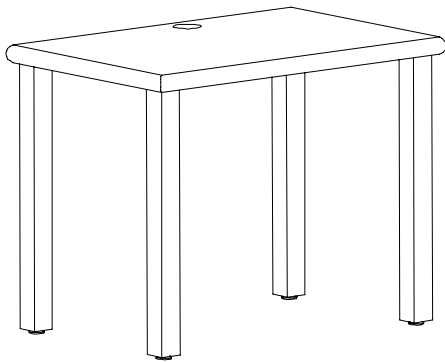
1 1/4" thick top (Internal)
Premier Drop



30”L x 24”W Flat Screen Computer Table

A grommet and J-channel wire management are provided in each unit to ensure concealment.

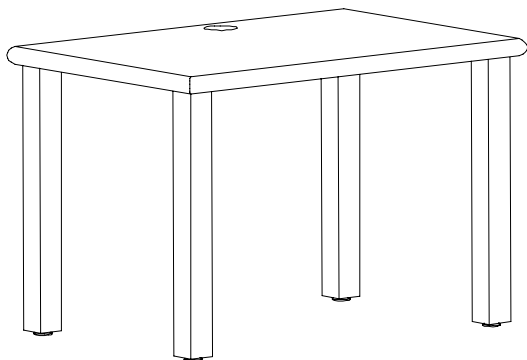
Catalog #	Description	Height"	Length"	Width"	Price
PS-302425	Sitting-Height Unit, child	25	30	24	
PS-302427	Intermediate -Height Unit	27	30	24	
PS-302429	Sitting-Height Unit, adult	29	30	24	
PS-302439	Standing-Height Unit	39	30	24	



36”L x 24”W Flat Screen Computer Table

A grommet and J-channel wire management are provided in each unit to ensure concealment.

Catalog #	Description	Height"	Length"	Width"	Price
PS-362425	Sitting-Height Unit, child	25	36	24	
PS-362427	Intermediate -Height Unit	27	36	24	
PS-362429	Sitting-Height Unit, adult	29	36	24	
PS-362439	Standing-Height Unit	39	36	24	



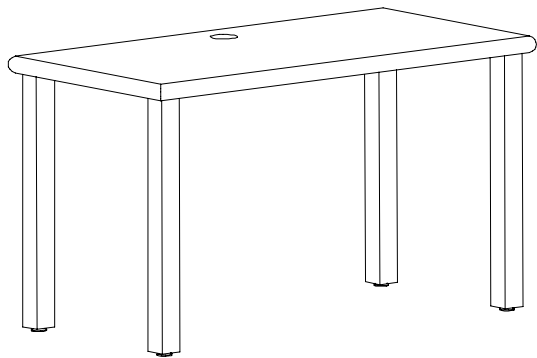
42”L x 24”W Flat Screen Computer Table

A grommet and J-channel wire management are provided in each unit to ensure concealment.

Catalog #	Description	Height"	Length"	Width"	Price
PS-422425	Sitting-Height Unit, child	25	42	24	
PS-422427	Intermediate-Height Unit	27	42	24	
PS-422429	Sitting-Height Unit, adult	29	42	24	
PS-422439	Standing-Height Unit	39	42	24	

SEE PAGE 122 FOR EDGE DETAILS

Leg Based Furniture



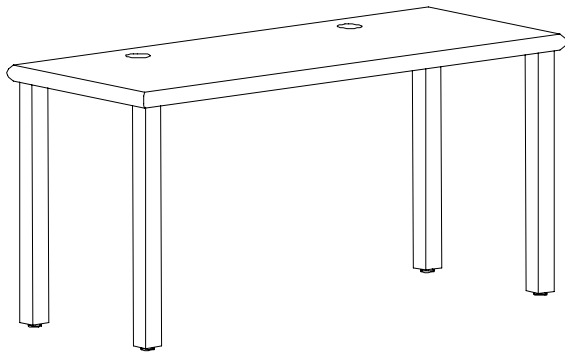
48”L x 24”W Flat Screen Computer Table

A grommets and wire manager are provided in each unit to ensure concealment.

Use these #'s to order 42”L units.

- PS-422425
- PS-422427
- PS-422429
- PS-422439

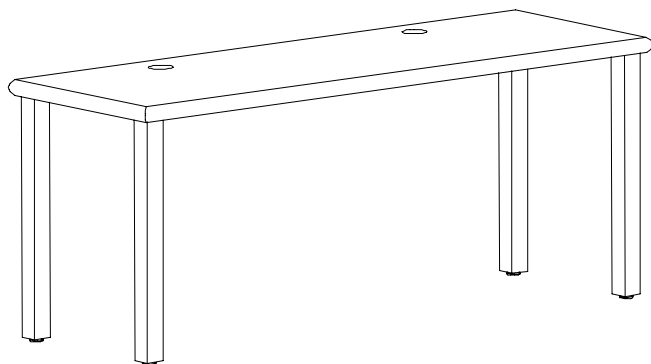
Catalog #	Description	Height"	Length"	Width"	Price
PS-482425	Sitting-Height Unit, child	25	48	24	
PS-482427	Intermediate-Height Unit	27	48	24	
PS-482429	Sitting-Height Unit, adult	29	48	24	
PS-482439	Standing-Height Unit	39	48	24	



60”L x 24”W Flat Screen Computer Table

Two grommets and wire manager are provided in each unit to ensure concealment. Steel “V” keel provided on this unit.

Catalog #	Description	Height"	Length"	Width"	Price
PS-602425	Sitting-Height Unit, child	25	60	24	
PS-602427	Intermediate Height Unit	27	60	24	
PS-602429	Sitting-Height Unit, adult	29	60	24	
PS-602439	Standing-Height Unit	39	60	24	



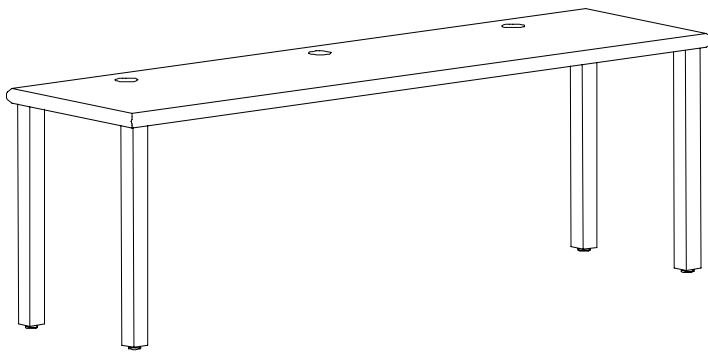
72”L x 24”W Flat Screen Computer Table

Two grommets and wire manager are provided in each unit to ensure concealment. Steel “V” keel provided on this unit.

See top of next page for
90”L x 24”W Flat Screen
Computer Table

Catalog #	Description	Height"	Length"	Width"	Price
PS-722425	Sitting-Height Unit, child	25	72	24	
PS-722427	Intermediate Height Unit	27	72	24	
PS-722429	Sitting-Height Unit, adult	29	72	24	
PS-722439	Standing-Height Unit	39	72	24	

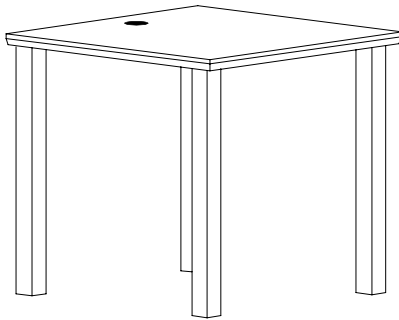
SEE PAGE 122 FOR EDGE DETAILS



90”L x 24”W Flat Screen Computer Table

Three grommets and J-channel wire management are provided in each unit to ensure concealment. Two steel “V” keels provided on this unit.

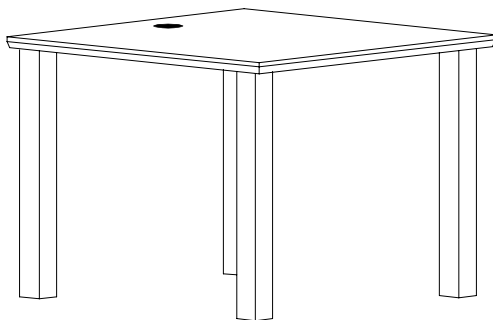
Catalog #	Description	Height"	Length"	Width"	Price
PS-902425	Sitting-Height Unit, child	25	90	24	
PS-902427	Intermediate Height Unit	27	90	24	
PS-902429	Sitting-Height Unit, adult	29	90	24	
PS-902439	Standing-Height Unit	39	90	24	



30” Square Computer Table

A grommet and wire manager are provided in each unit to ensure concealment.

Catalog #	Description	Height"	Length"	Width"	Price
PS-303025	Sitting-Height Unit, child	25	30	30	
PS-303027	Intermediate-Height Unit	27	30	30	
PS-303029	Sitting-Height Unit, adult	29	30	30	
PS-303039	Standing-Height Unit	39	30	30	

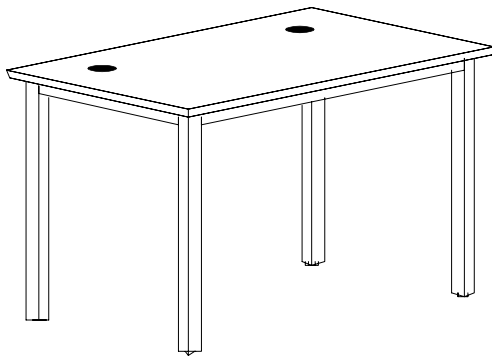


36”L x 30”W Computer Table

A grommet and wire manager are provided in each unit to ensure concealment.

Catalog #	Description	Height"	Length"	Width"	Price
PS-363025	Sitting-Height Unit, child	25	36	30	
PS-363027	Intermediate -Height Unit	27	36	30	
PS-363029	Sitting-Height Unit, adult	29	36	30	
PS-363039	Standing-Height Unit	39	36	30	

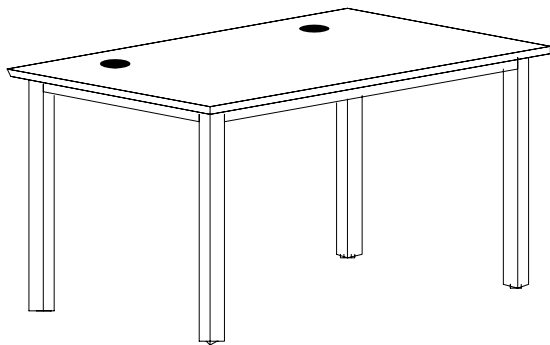
SEE PAGE 122 FOR EDGE DETAILS



48”L x 30”W Computer Table

Two grommets and wire manager are provided in each unit to ensure concealment. Table shown with OPTIONAL apron

Catalog #	Description	Height"	Length"	Width"	Price
PS-483025	Sitting-Height Unit,child	25	48	30	
PS-483027	Intermediate-Height Unit	27	48	30	
PS-483029	Sitting-Height Unit,adult	29	48	30	
PS-483039	Standing-Height Unit	39	48	30	



60”L x 30”W Computer Table

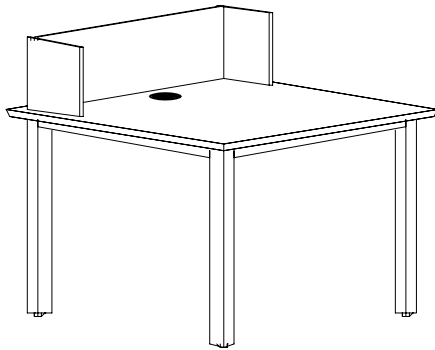
Two grommets and wire manager are provided in each unit to ensure concealment. Table shown with OPTIONAL apron

Catalog #	Description	Height"	Length"	Width"	Price
PS-603025	Sitting-Height Unit, child	25	60	30	
PS-603027	Intermediate Height Unit	27	60	30	
PS-603029	Sitting-Height Unit, adult	29	60	30	
PS-603039	Standing-Height Unit	39	60	30	

“A university professor set an examination question in which he asked, ‘what is the difference between ignorance and apathy?’ The professor had to give an A+ to a student who answered: ‘I don’t know and I don’t care.’”

Richard Pratt, Pacific Computer Weekly, 20 July 1990

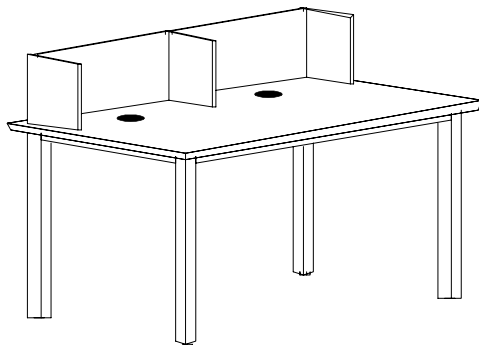
SEE PAGE 122 FOR EDGE DETAILS



36” Square Computer Table w/curbing

10”H curbing will run the entire width inside the edgeband, as well as 10” along each side to aid with wire connection concealment to provide a computer work station. A grommet and wire manager are provided in each unit to ensure concealment. Table shown with OPTIONAL apron

Catalog #	Description	Height"	Length"	Width"	Price
PS-363625	Single-Station Unit, elementary sitting height	25	36	36	
PS-363627	Single-Station Unit, intermediate height	27	36	36	
PS-363629	Single-Station Unit, adult sitting height	29	36	36	
PS-363639	Single-Station Unit, standing height	39	36	36	



60”L x 36W” Computer Table w/curbing

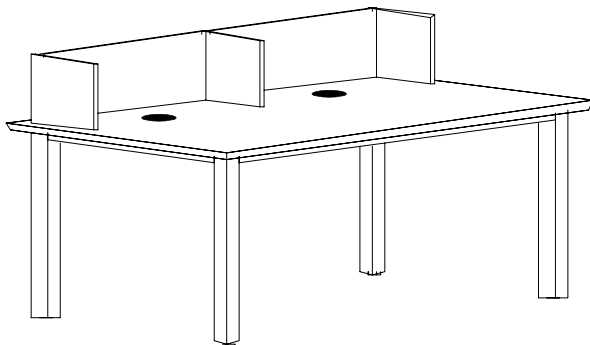
10”H curbing will run the entire width inside the edgeband, as well as 10” along each side to aid with wire connection concealment to provide two computer work stations. Two grommets and wire manager are provided in each unit to ensure concealment.

Catalog #	Description	Height"	Length"	Width"	Price
PS-603625	Sitting-Height Unit, elementary	25	60	36	
PS-603627	Intermediate-Height Unit	27	60	36	
PS-603629	Sitting-Height Unit, adult	29	60	36	
PS-603639	Standing-Height Unit	39	60	36	

“Genius without education is like silver in the mine.”

Ben Franklin

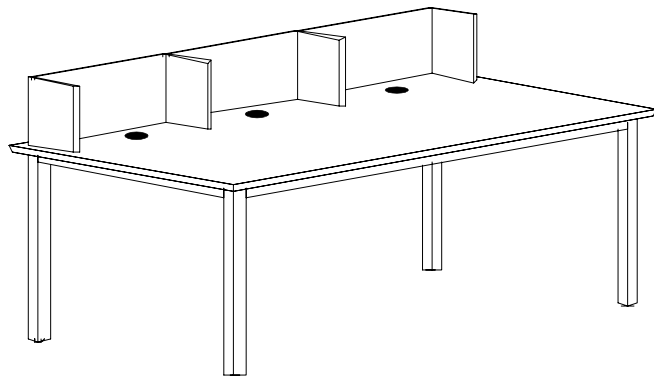
SEE PAGE 122 FOR EDGE DETAILS



72”L x 36”W” Computer Table w/curbing

10”H curbing will run the entire width inside the edgeband, as well as 10” along each side to aid with wire connection concealment to provide two computer work stations. Two grommets and wire manager are provided in each unit to ensure concealment.

Catalog #	Description	Height"	Length"	Width"	Price
PS-723625	Double-Station Unit, elementary sitting height	25	72	36	
PS-723627	Double-Station Unit, intermediate height	27	72	36	
PS-723629	Double-Station Unit, adult sitting height	29	72	36	
PS-723639	Double-Station Unit, standing height	39	72	36	



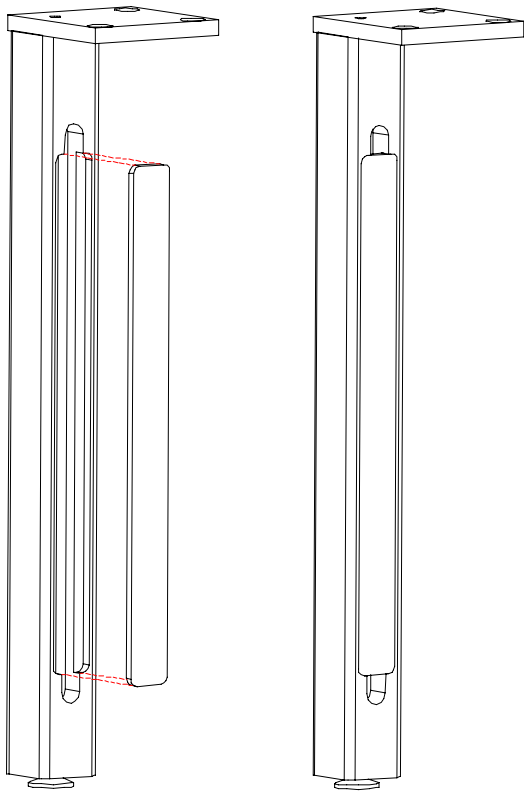
90”L x 36”W Computer Table w/curbing

10”H curbing will run the entire width inside the edgeband, as well as 10” along each side to aid with wire connection concealment to provide three computer work stations.. Three grommets and wire manager are provided in each unit to ensure concealment.

Catalog #	Description	Height"	Length"	Width"	Price
PS-903625	Triple-Station Unit, elementary sitting height	25	90	36	
PS-903627	Triple-Station Unit, intermediate height	27	90	36	
PS-903629	Triple-Station Unit, adult sitting height	29	90	36	
PS-903639	Triple-Station Unit, standing height	39	90	36	

“I am still learning.”
Michelangelo

SEE PAGE 122 FOR EDGE DETAILS

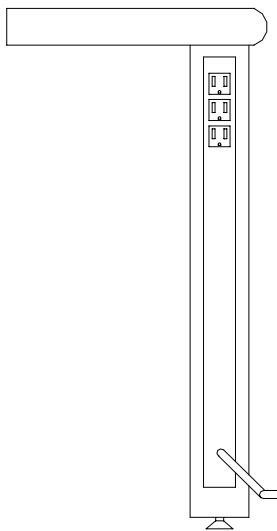


Wire Access Leg

The wire access leg utilizes the standard solid red oak table leg and steel plate assembly (see pg. 107). An internal wire chase is machined into the leg which is designed to conceal wiring. Wiring enters the wire chase at the top of the chase and exits the bottom of the chase. A solid red oak wire chase cover (finished to match) conceals the wiring. Velcro strips are glued and machine fastened to both the leg inside the chase and the solid red oak wire chase cover. The inside dimensions of the wire chase is 1/2”D x 3/4”W. The oak wire chase cover is 3/8”T and fits flush with the leg when in place.

Also see Accessories section (pg. 205) for other helpful computer table accessories.

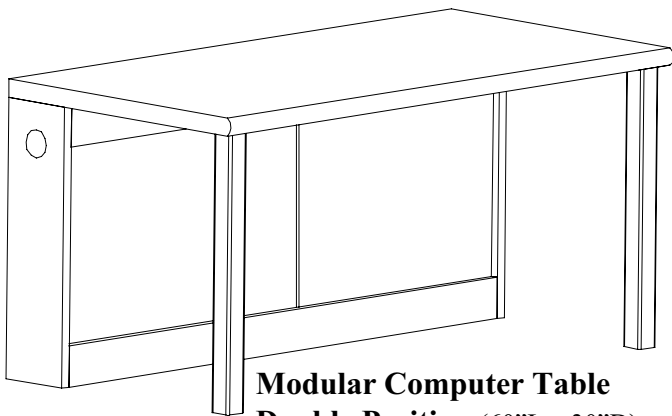
Catalog #	Description	Height"	Width"	Depth	Price
A-4725	Wire Access Leg for 25"H Table	25	2-14"	2-1/4"	
A-4727	Wire Access Leg for 27"H Table	27	2-14"	2-1/4"	
A-4729	Wire Access Leg for 29"H Table	29	2-14"	2-1/4"	
A-4739	Wire Access Leg for 39"H Table	39	2-14"	2-1/4"	



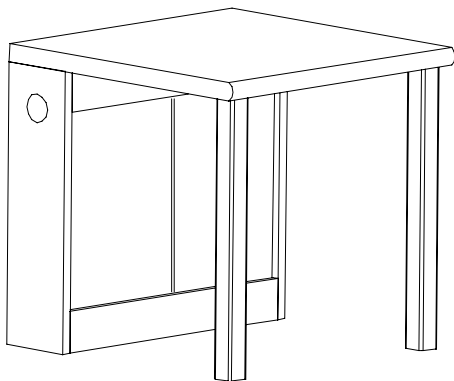
Three Outlet Power Leg

Optional power leg is made of solid matching hardwood with a flush-mounted, UL-approved power strip. Power strip has three outlets and is supplied with a six-foot cord.

Catalog #	Description	Height"	Width"	Depth	Price
A-925	Power Leg for 25"H Table	25	2-14"	2-1/4"	
A-927	Power Leg for 27"H Table	27	2-14"	2-1/4"	
A-929	Power Leg for 29"H Table	29	2-14"	2-1/4"	
A-939	Power Leg for 39"H Table	39	2-14"	2-1/4"	



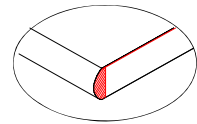
**Modular Computer Table
Double Position (60"L x 30"D)**



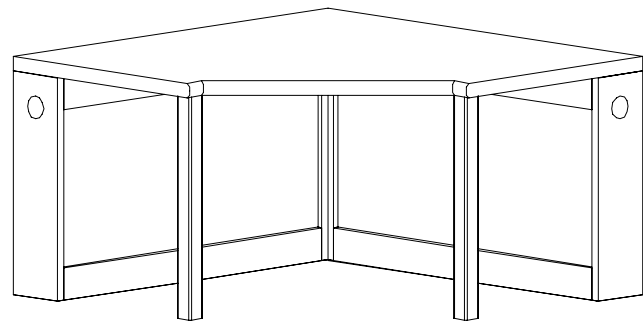
**Modular Computer Table
Single Position (30"L x 30"D)**

Modular Computer Tables

Table tops are banded with a 3/4" T solid red oak edge band. The front band is specifiable with standard edge details. The sides and back bands are internal flush. This allows for tables to be used in a series providing the utility of a continuous top. Tables in a series can be bolted (via the wire chase) and unbolted in order to re-configure a new series or add more tables.



The wire chase is accessible through the front via 1/4" T red oak veneer plywood sliding doors and through the work surface via grommets. The bottom of the chase provides large access holes for floor mounted power and data jacks. Power and data connectivity between tables is accomplished with 3" grommets in each end of the wire chase on floor units. The wire chase is provided with a fully enclosed 3/4" T finished red oak veneer plywood back. On wall units, the wire chase has a partially open back to all for access to wall jacks and outlets.



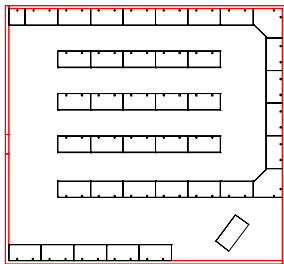
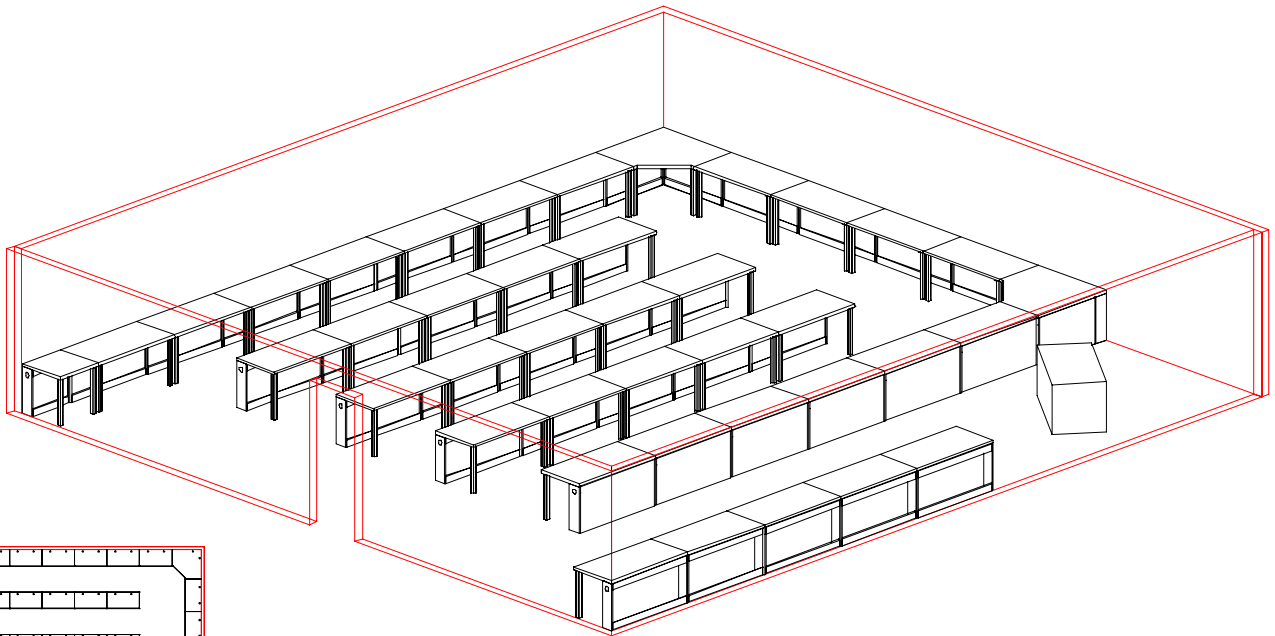
Modular Computer Corner Table (53" x 53")

This unit does provide continuous wire access around the corner.

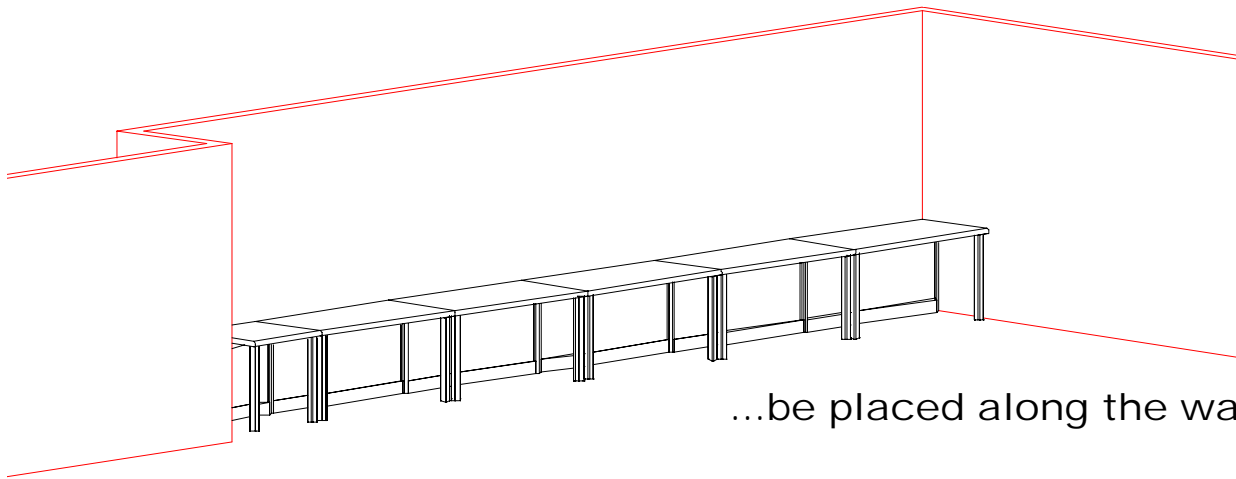
See page 158 if a computer counter is desired.

Catalog #	Description	Height"	Length"	Width"	Price
WALL UNITS HAVE OPEN BACKS					
PS-M603025W	60"X30" Mod Comp Tab w/chase - 25"H - WALL UNIT	25	60	30	
PS-M603027W	60"X30" Mod Comp Tab w/chase - 27"H - WALL UNIT	27	60	30	
PS-M603029W	60"X30" Mod Comp Tab w/chase - 29"H - WALL UNIT	29	60	30	
PS-M303025W	30"X30" Mod Comp Tab w/chase - 25"H - WALL UNIT	25	30	30	
PS-M303027W	30"X30" Mod Comp Tab w/chase - 27"H - WALL UNIT	27	30	30	
PS-M303029W	30"X30" Mod Comp Tab w/chase - 29"H - WALL UNIT	29	30	30	
PS-M535325W	53"X53" Mod Comp Corner w/chase - 25"H - WALL UNIT	25	53	53	
PS-M535327W	53"X53" Mod Comp Corner w/ chase - 27"H - WALL UNIT	27	53	53	
PS-M535329W	53"X53" Mod Comp Corner w/chase - 29"H - WALL UNIT	29	53	53	
FLOOR UNITS HAVE FINISHED BACKS					
PS-M603025F	60"X30" Mod Comp Tab w/chase - 25"H - FLOOR UNIT	25	60	30	
PS-M603027F	60"X30" Mod Comp Tab w/chase - 27"H - FLOOR UNIT	27	60	30	
PS-M603029F	60"X30" Mod Comp Tab w/chase - 29"H - FLOOR UNIT	29	60	30	
PS-M303025F	30"X30" Mod Comp Tab w/chase - 25"H - FLOOR UNIT	25	30	30	
PS-M303027F	30"X30" Mod Comp Tab w/chase - 27"H - FLOOR UNIT	27	30	30	
PS-M303029F	30"X30" Mod Comp Tab w/chase - 29"H - FLOOR UNIT	29	30	30	
PS-M535325F	53"X53" Mod Comp Corner w/chase - 25"H - FLOOR UNIT	25	53	53	
PS-M535327F	53"X53" Mod Comp Corner w/chase - 27"H - FLOOR UNIT	27	53	53	
PS-M535329F	53"X53" Mod Comp Corner w/chase - 29"H - FLOOR UNIT	29	53	53	

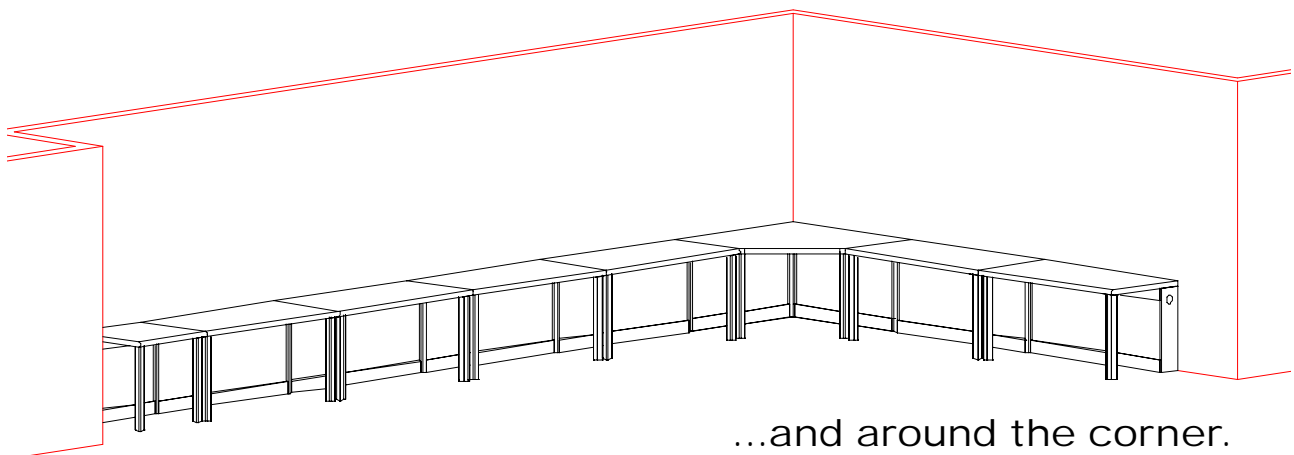
SEE PAGE 122 FOR EDGE DETAILS



Modular computer tables provide the flexibility to furnish an entire computer lab...

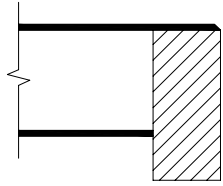


...be placed along the wall...

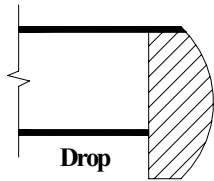


...and around the corner.

Planning For & Ordering Edgeband for Providence Series Computer Tables

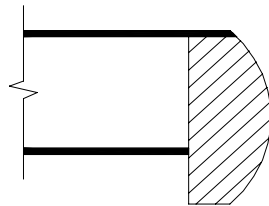


Modular Computer Table work surface will have a 3/4" T internal DROP solid red oak edgeband on *back and sides**.



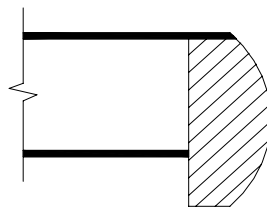
Computer Tables Work surfaces will be constructed with a 3/4" T solid red oak edgeband and can be ordered with any one of a variety of DROP edgeband details.

***Edge Details for
front edge only
of Modular Table**

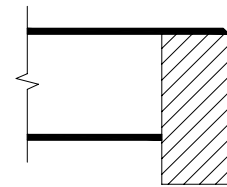


1 1/4" thick top (Internal)
Shallow Bullnose Drop

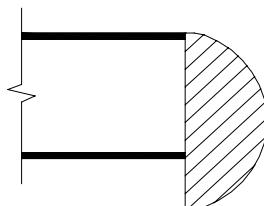
**Edge Details
for
Providence Series
Computer Tables**



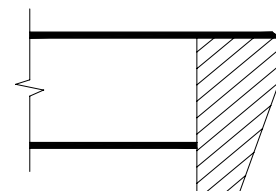
1 1/4" thick top (Internal)
Shallow Bullnose Drop



1 1/4" thick top (Internal)
Montana Drop

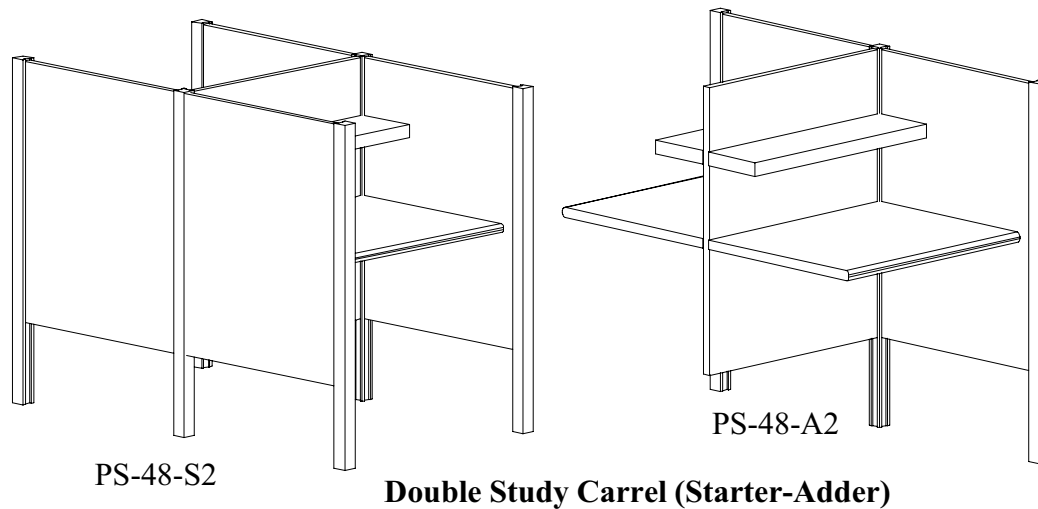
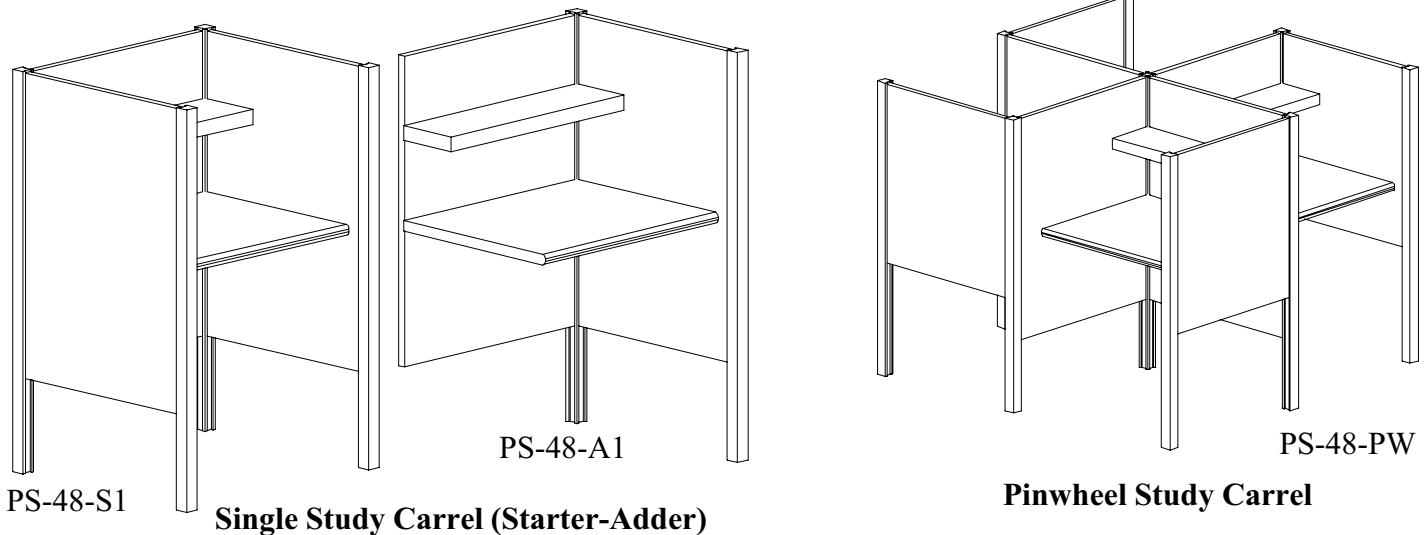


1 1/4" thick top (External)
Bullnose Drop



1 1/4" thick top (Internal)
Premier Drop

Study Carrels - Starter/Adder



Computer
Carrels
Next Page

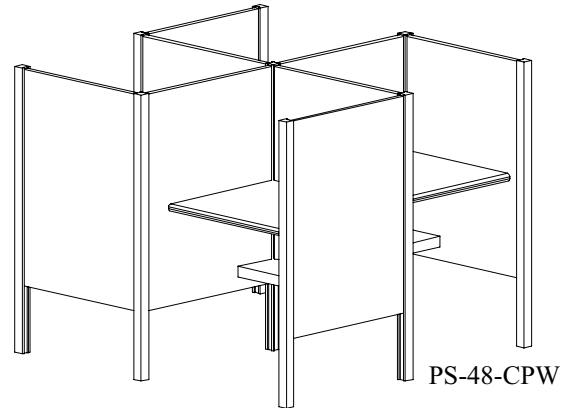
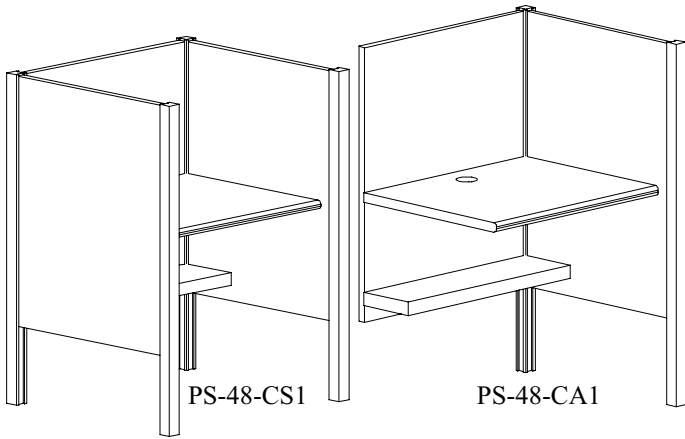
Study and Computer Carrels are “starter/adder” designed and have 3/4” veneer core plain-sliced plywood side and back panels. A 1/2”T solid red oak edge band is applied to exposed panel edges. Vertical panel edges are machined for Mod-Eze Clips (R) to receive shoulder fasteners mounted on leg posts and end panels. Leg posts are 1-3/4” square, dadoed to receive the side and back panels. Legs will have an 1-3/4” diameter threaded leveling glide which is mounted in countersunk and recessed T-nut. Work surface is attached to side panels via metal bolt cleats and 5/16” bolt. The bolt is received into the end panel via a 1/2” threaded insert, and is received into the top via a 7/8” flanged t-nut insert.

Study Carrels only have an 8”D bookshelf mounted on the back panel above the work surface. Shelf is 3/4” veneer core plywood. Front edge is banded with 3/4” x 1-3/4” solid red oak. Shelf is fastened on three sides with wood screws and metal cleats.

SEE PAGE 131 FOR EDGE DETAILS

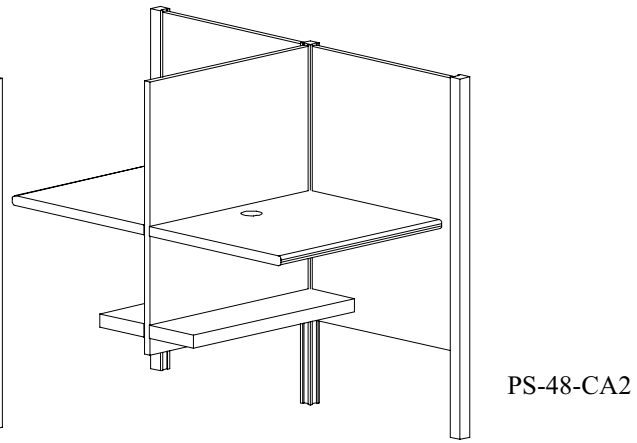
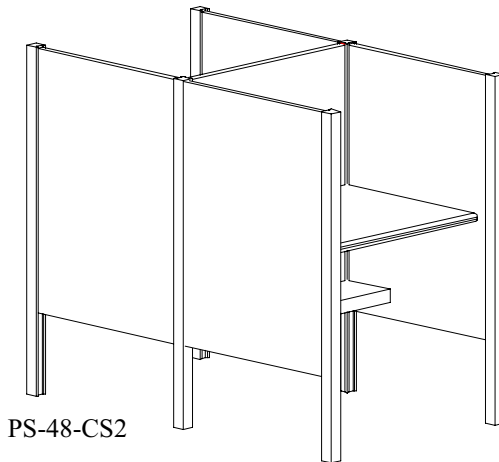
Catalog #	Description	Height"	Width"	Depth"	Price
PS-48S1	Single-Faced,starter	48	39	29-1/4	
PS-48A1	Single-Faced, adder	48	37-1/2	29-1/4	
PS-48S2	Double-Faced, starter	48	39	56-3/4	
PS-48A2	Double-Faced, adder	48	37-1/2	56-3/4	
PS-48PW	Pinwheel Configuration	48	76-1/4	76-1/4	

Computer Carrels - Starter/Adder



Single Computer Carrel (Starter-Adder)

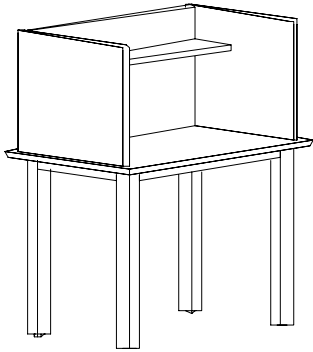
Pinwheel Computer Carrel



Double Computer Carrel (Starter-Adder)

Computer Carrels only have an 12"D shelf mounted under the work surface made of 3/4" veneer red oak plywood, 1/4" T solid red oak edgeband, fastened on three sides with solid wood cleats.

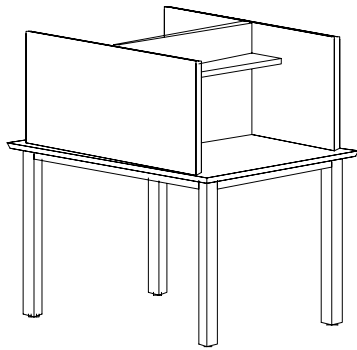
Catalog #	Description	Height"	Width"	Depth"	Price
PS-30CS1	Single-Faced, starter	48	33	33-1/2	
PS-30CA1	Single-Faced, adder	48	31-1/2	33-1/2	
PS-36CS1	Single-Faced, starter	48	39	33-1/2	
PS-36CA1	Single-Faced, adder	48	37-1/2	33-1/2	
PS-48CS1	Single-Faced, starter	48	50-1/2	33-1/2	
PS-48CA1	Single-Faced, adder	48	49	33-1/2	
PS-30CS2	Double-Faced, starter	48	33	64-1/4	
PS-30CA2	Double-faced, adder	48	31-1/2	64-1/4	
PS-36CS2	Double-Faced, starter	48	39	64-1/4	
PS-36CA2	Double-Faced, adder	48	37-1/2	64-1/4	
PS-48CS2	Double-Faced, starter	48	50-1/2	64-1/4	
PS-48CA2	Double-Faced, adder	48	49	64-1/4	
PS-30CPW	Pinwheel Configuration	48	64-1/4	64-1/4	
PS-36CPW	Pinwheel Configuration	48	76-1/4	76-1/4	
PS-48CPW	Pinwheel configuration	48	99-1/4"	99-1/4	



Single Table Carrel Full Sided

Carrel shelving will be 19"H with side returns extending the full length of the work surface depth. A 3/4" T 7-ply veneer-core red oak shelf will be positioned 13" above the work surface. Shelf will be 7"D and front edge of shelf will have a 3/4" x 1-3/4" solid red oak drop edgeband.

Catalog #	Description	Height"	Width"	Depth"	Price
PS-1FR25	Table Carrel, single-faced (25"H worksurface)	44	36	24	
PS-1FR27	Table Carrel, single-faced (27"H worksurface)	46	36	24	
PS-1FR29	Table Carrel, single-faced (29"H worksurface)	48	36	24	



Double Table Carrel Full Sided

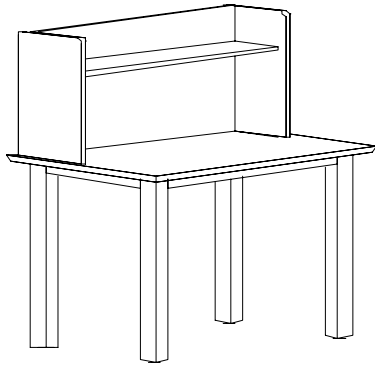
Carrel shelving will be 19"H with side returns extending the full length of the work surface depth. A 3/4" T 7-ply veneer-core red oak shelf will be positioned 13" above the work surface. Shelf will be 7"D and front edge of shelf will have a 3/4" x 1-3/4" solid red oak drop edgeband.

Catalog #	Description	Height"	Width"	Depth"	Price
PS-2FR25	Table Carrel, double-faced (25"H worksurface)	44	36	48	
PS-2FR27	Table Carrel, double-faced (27"H worksurface)	46	36	48	
PS-2FR29	Table Carrel, double-faced (29"H worksurface)	48	36	48	

"I have never let my schooling interfere with my education."

==== *Mark Twain* =====

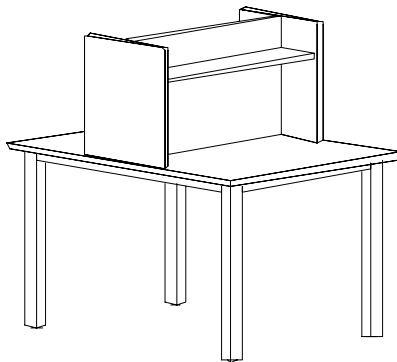
SEE PAGE 131 FOR EDGE DETAILS



Single Table Carrel *Short-Sided*

Carrel shelving will be 19"H with side returns extending 8" along the sides of the work surface. A 3/4" T 7-ply veneer-core red oak shelf will be positioned 13" above the work surface. Shelf will be 7"D and will have a 3/4" x 1-3/4" solid red oak drop edge band.

Catalog #	Description	Height"	Length	Width"	Price
PS-1SR25	Table Carrel, single-faced (25"H worksurface)	44	36	24	
PS-1SR27	Table Carrel, double-faced (27"H worksurface)	46	36	24	
PS-1SR29	Table Carrel, single-faced (29"H worksurface)	48	36	24	



Double Table Carrel *Short-Sided*

Carrel shelving will be 19"H with side returns extending 16" along the sides of the work surface. Two 3/4" T 7-ply veneer-core red oak shelves will be positioned 13" above the work surface. Each shelf will be 7"D and will have a 3/4" x 1-3/4" solid red oak drop edgeband.

Catalog #	Description	Height"	Width"	Depth"	Price
PS-2SR25	Table Carrel, double-faced (25"H worksurface)	44	36	48	
PS-2SR27	Table Carrel, double-faced (27"H worksurface)	46	36	48	
PS-2SR29	Table Carrel, double-faced (29"H worksurface)	48	36	48	

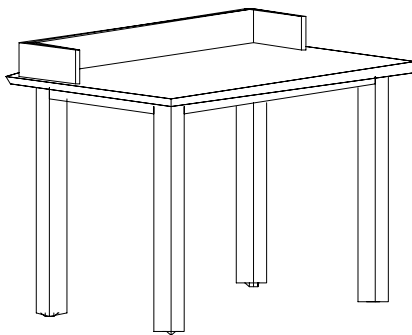
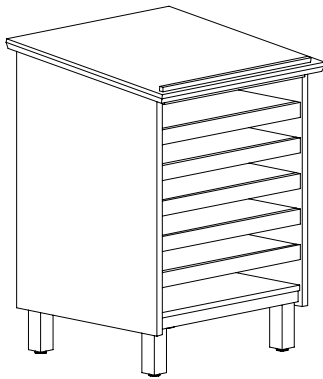


Table Carrel

A 4"H x 1"T solid red oak book rail will be mounted on the work surface across the entire width at the back. Side returns will be the same height, fastened at right angles, and will extend 8" along the sides of the work surface. Book rails will be fastened by screws from the underside.

Catalog #	Description	Height"	Width"	Depth"	Price
PS-2FR25	Table Carrel, (25"H worksurface)	29	48	36	
PS-2FR27	Table Carrel, (27"H worksurface)	31	48	36	
PS-2FR29	Table Carrel, (29"H worksurface)	33	48	36	

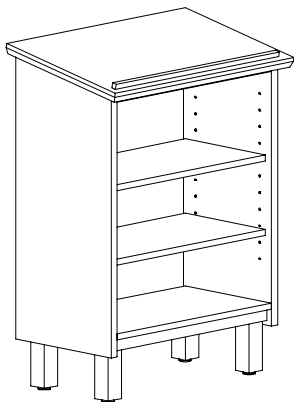
SEE PAGE 131 FOR EDGE DETAILS



Atlas Stand

Each Atlas Stand Unit will have pullout, full-extension shelves on ball bearing glides. Shelves will be 25-3/4"W x 23-7/8"D and will have stops to prevent accidental removal. Adult unit will have 5 shelves with 3" between shelves. Children's unit will have 4 shelves with 2-1/2" between shelves. Shelves and pullouts are 3/4" veneer red oak plywood with 1/4" red oak edgeband. Atlas stand shelves are provided with full extension ball bearing glides rated for 200 lbs. A 5/8"x5/8" red oak retainer strip is fastened to the front sloped edge.

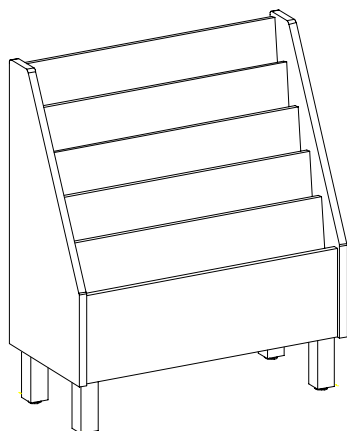
Catalog #	Description	Height"	Width"	Depth"	Price
PS-36A T	Elementary height	35	29-3/8	27-1/16	
PS-42A T	Adult height	42	29-3/8	27-1/16	



Dictionary Stand

Each Dictionary Stand Unit will have 2 adjustable shelves on 2" centers and 1 fixed base shelf. A 5/8" x 5/8" red oak retainer strip is fastened to the front sloped edge.

Catalog #	Description	Height"	Width"	Depth"	Price
PS-36DS	Elementary height	35	29-3/8	18	
PS-43DS	Adult height	43	29-3/8	18	

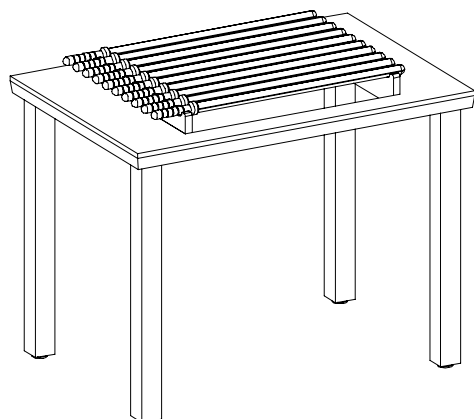


Magazine Rack

Each Magazine Rack Unit will have 6 sloping display pockets formed by 3/4" thick, edgebanded veneer plywood dividers. Each display pocket will have a closed bottom. The back side will have a shelf and will be finished to allow for storage of back issues.

Catalog #	Description	Height"	Width"	Depth"	Price
PS-43M R	Vertical Magazine Rack	42	35-1/8	17	

SEE PAGE 131 FOR EDGE DETAILS



Horizontal Newspaper Rack

Each Horizontal Newspaper Rack will have an open-top frame bordered by a holder on each side. Each holder will have 10 U-shaped grooves, each designed to accept a newspaper rod. Newspaper rods are included.

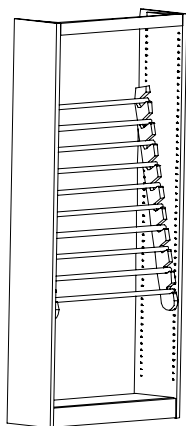
Catalog #	Description	Height"	Length	Width"	Price
PS-31HR	Universal height	31	36	26	



Map Case Unit

Each unit is a stand-alone piece. Units will have 9 stacked drawers. Each drawer will be mounted on 18" full-extension, ball bearing glides with a load rating of 100 lbs. per pair.

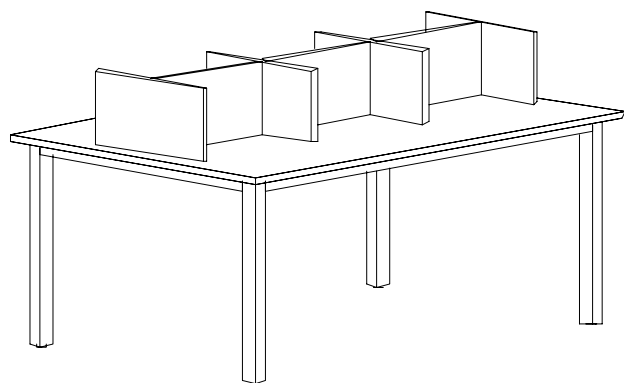
Catalog #	Description	Height"	Width"	Depth"	Price
MC-42	Map Case	42	49	29	



Newspaper File Insert will fit into 10" or 12" deep single-faced shelving, 82", 72" or 60" high. File insert will be made of two hardwood cleats, 1-1/4" thick with 1" notched slots for rods. Cleats will be attached to uprights with wood screws.

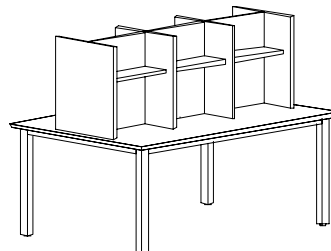
Insert only is included in pricing.

Catalog #	Description	Insert Height	Rod Length	Cleat Thickness	Price
INS-8260	Newspaper File Insert for 82"H Shelf (Holds 10 rods)	45-1/2"	34-7/16	1-1/4"	
INS-6042	Newspaper File Insert for 72"H Shelf (Holds 8 rods)	37"	34-7/16	1-1/4"	
INS-4236	Newspaper File Insert for 60"H Shelf (Holds 6 rods)	29-1/8"	34-7/16	1-1/4"	

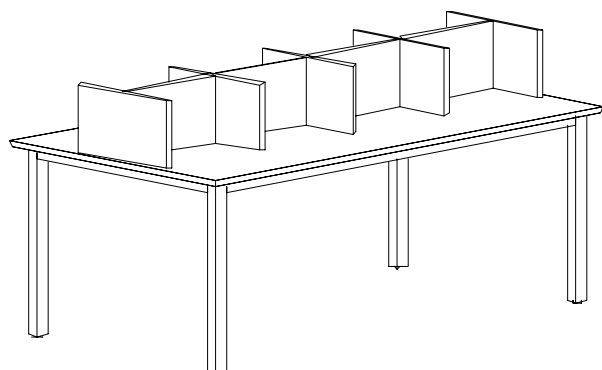


72” Index Table (Single or Double Tier)

The single tier shelving superstructure will be 10" high and will have 6 compartments which are 20-3/16" wide. The double tier shelving superstructure will be 24"H and will have 6 compartments which are 20-3/16" wide

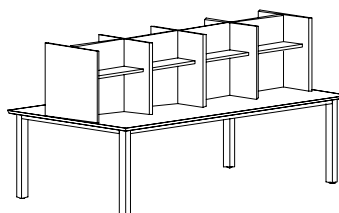


Catalog #	Description	Height"	Length"	Width"	Price
PS-1T72	Single-Tier Double-Faced	39	72	48	
PS-2T72	Double-Tier Double-Faced	53	72	48	



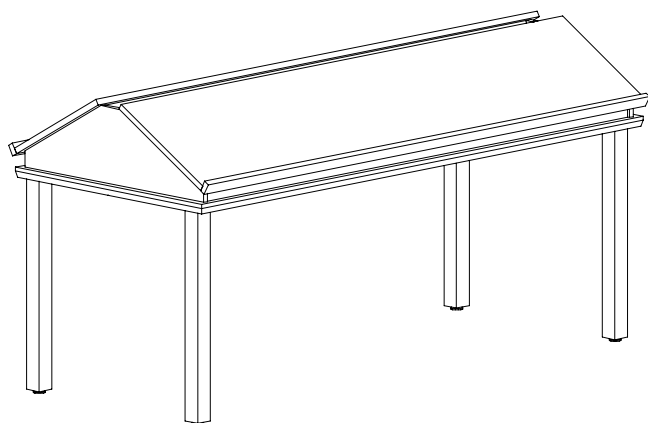
90” Index Table (Single or Double Tier)

The single tier shelving superstructure will be 10" high and will have 8 compartments which are 20-3/16" wide. Double tier shelving superstructure is 24"H and have 8 compartments 20-3/16"W.



Catalog #	Description	Height"	Length"	Width"	Price
PS-1T90	Single-Tier Double-Faced	39	90	48	
PS-2T90	Double-Tier Double-Faced	53	90	48	

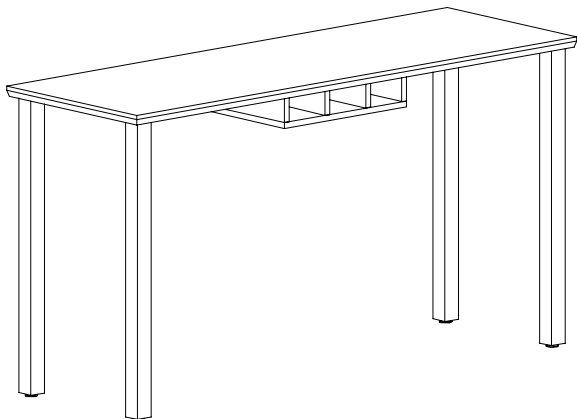
SEE PAGE 131 FOR EDGE DETAILS



Picture-Book Table

The table will consist of two 78"L x 15-3/4"W x 7/8"T tops mounted at a 27 degree angle. A 5/8" square retaining strip will be mounted on the lower edge of each top. A space of 3" will be provided between the tops to allow a full-length book well. Tables

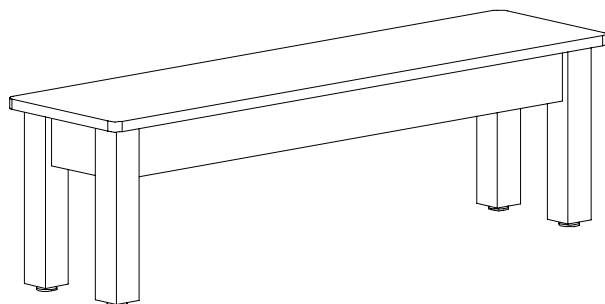
Catalog #	Description	Height"	Length"	Width"	Price
PS-62PT	62"L Picture-Book Table	33-3/4	62	31	
PS-78PT	78"L Picture-Book Table	33-3/4	78	31	



Consultation Table

A three-compartment call-slip rack for 3" x 5" slips will be attached to the underside of the table. Tables are supplied without aprons, and must therefore be specified on order if so desired. (Aprons are necessary but not required for concealing the leg plate on tables with a flush edgeband)

Catalog #	Description	Height"	Length"	Width"	Price
PS-72CT	Consultation Table	39	72	24	



48"L bench shown

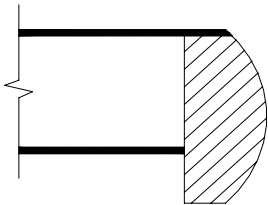
Bench

Seat will be 3/4"T red oak veneer plywood edge banded with 1/4"T solid red oak. Leg are made of 2-1/4" square solid red oak with a 1-3/4" diameter threaded leveling glide which is mounted in countersunk and recessed T-nut. Apron is 3" x 1"T solid red

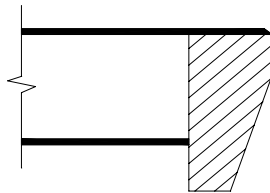
Catalog #	Description	Height"	Length"	Width"	Price
PS-69B	69"L Bench	15	69	12	
PS-48B	48"L Bench	15	48	12	

**Planning For & Ordering Edgeband for Providence Series
Carrels, Carrel Tables and Display Furniture.**

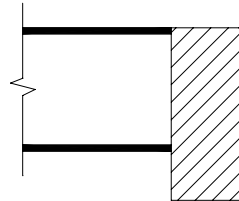
All display *tables* on pages 123-130 only come with a 3/4" T solid red oak DROP edgeband.
Choose from any one of the DROP details below.



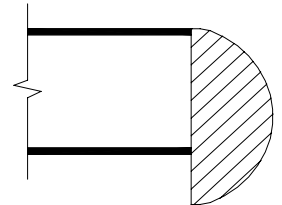
1 1/4" thick top (Internal)
Shallow Bullnose Drop



1 1/4" thick top (Internal)
Premier Drop

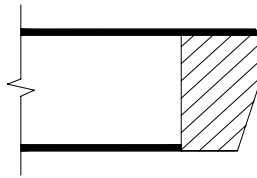


1 1/4" thick top (External)
Montana Drop

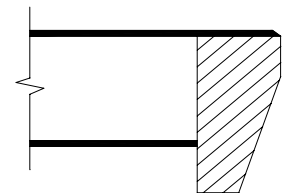


1 1/4" thick top (External)
Bullnose Drop

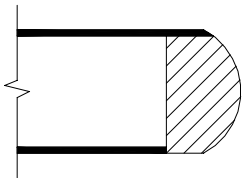
All other units in this section may use any one of these details.



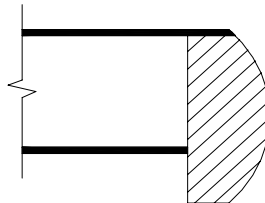
1 1/4" thick top (Internal)
Premier Flush



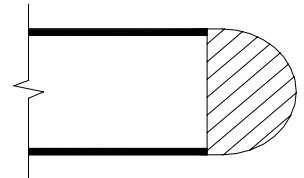
1 1/4" thick top (Internal)
Premier Drop



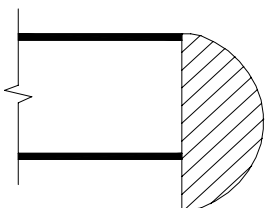
1 1/4" thick top (Internal)
Shallow Bullnose Flush



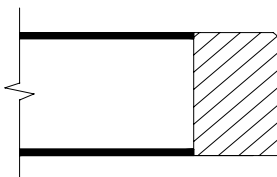
1 1/4" thick top (Internal)
Shallow Bullnose Drop



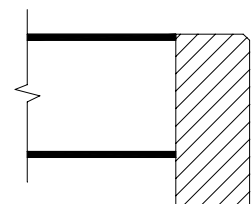
1 1/4" thick top (External)
Bullnose Flush



1 1/4" thick top (External)
Bullnose Drop



1 1/4" thick top (External)
Montana Flush



1 1/4" thick top (External)
Montana Drop

Providence TM

Leg Based Furniture

Russwood Library Furniture
