

**GENERAL SPECIFICATIONS**

The *Traditional Series* circulation desk is designed to provide the maximum amount of uninterrupted continuous work surface.

**CONSTRUCTION AND MATERIALS**

Each desk unit will be constructed from 3/4" thick, 7-ply veneer core plywood, with plain-sliced face veneers. Front panels will be matched for color and grain characteristics to give the appearance of a continuous front across the entire desk arrangement. All visible panel edges will be banded with 1/4" thick eased matching hardwood. To further enhance the continuous look, each unit is constructed with a 4" high x 3" deep, laminate toe space.

All desk units and finished end panels are separated by a 1/4" T black reveal panel, inset 3/4" from each desk face. Desk units will be connected using four 5/16"-18 connector bolt assemblies, which pass through each unit end panel and reveal to fasten each unit together.

Each terminating end of a given desk arrangement is supplied with a finished end panel which will be connected to the desk with hidden inserts and connector bolts. Finished end panels will also receive an ebonized laminate toe kick to anchor the continuous appeal.

All doors, adjustable shelves, and drawer fronts will be constructed from 3/4" thick, 7-ply veneer core plywood with plain-sliced veneers. Shelves will be on no greater than 2" centers supported by 1/4" shelf pins. All edges will be banded with 1/4" thick eased matching hardwood.

Each drawer box will be of English dovetail design and will be constructed using 1/2" thick solid northern grown red oak with a 1/4" thick veneer core plywood bottom. Box drawers will be 14-7/8"W x 18"D x 5-1/4"H. File drawers will be 14-7/8"W x 18"D x 10-1/2"H. Double width drawers will be 31-1/2"W x 18"D x 5-1/4"H.

Each continuous top is custom made to fit the desired desk arrangement. All tops will be fabricated in the longest lengths possible (12-foot maximum) to eliminate unnecessary seams in the completed top. Tops will be joined at all seams with solid wood biscuits and tight-

joint fasteners, then screw-attached to the desk from the underside.

Continuous tops will be 1-1/4" thick and will be constructed from 1-1/8" thick particleboard with .050" high-pressure laminate on the face with .020" backer sheet on the underside of the top. The staff side of the top will be internally banded with 1/4" thick solid red oak edgeband, and will overhang the face of the end panel a total of 1-1/8". The patron side of the top will be banded per customer specification, and will overhang the face of the front panel 1-1/8". **SEE PAGE 38 FOR EDGE DETAILS**

**HARDWARE**

All drawers will be constructed to an overall depth of 18" and will be mounted on 18" full-extension, ball bearing glides with a load rating of 100 pounds per pair. Desks where locks are provided or ordered, locks will be keyed identically.

All doors will be hung with 110-degree opening, self-closing Salice hinges (180-degree available if specified) and Salice Smove (tm) door cushion. Pulls for both doors and drawers will be satin chrome 5/16" diameter wire pulls. Substitutions may be made at customer's request. (Up-charge may apply)

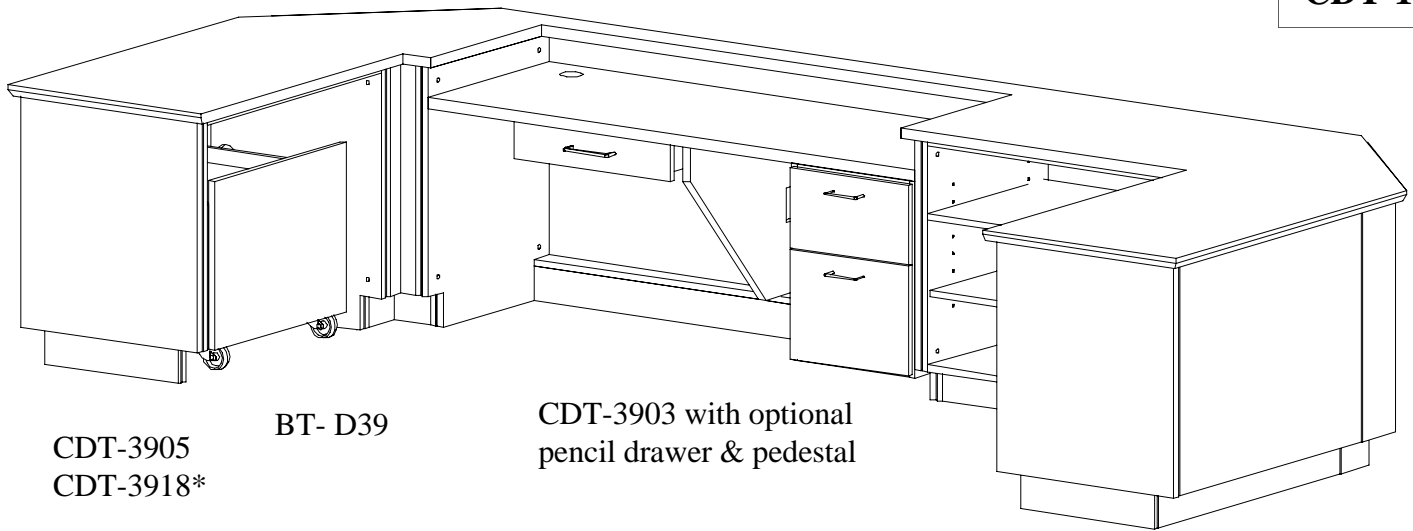
File drawers will be supplied with installed file racks for both letter and legal file folders.

All units are supplied with 3" diameter end panel grommets and J-channel wire manager to facilitate concealed wire passage between units in a range. Units with dropped work surfaces will be supplied with 3" grommets through the work surface.

**FINISH:** See page 5 for finish specifications.

Visit our website at [www.russwood.net](http://www.russwood.net)

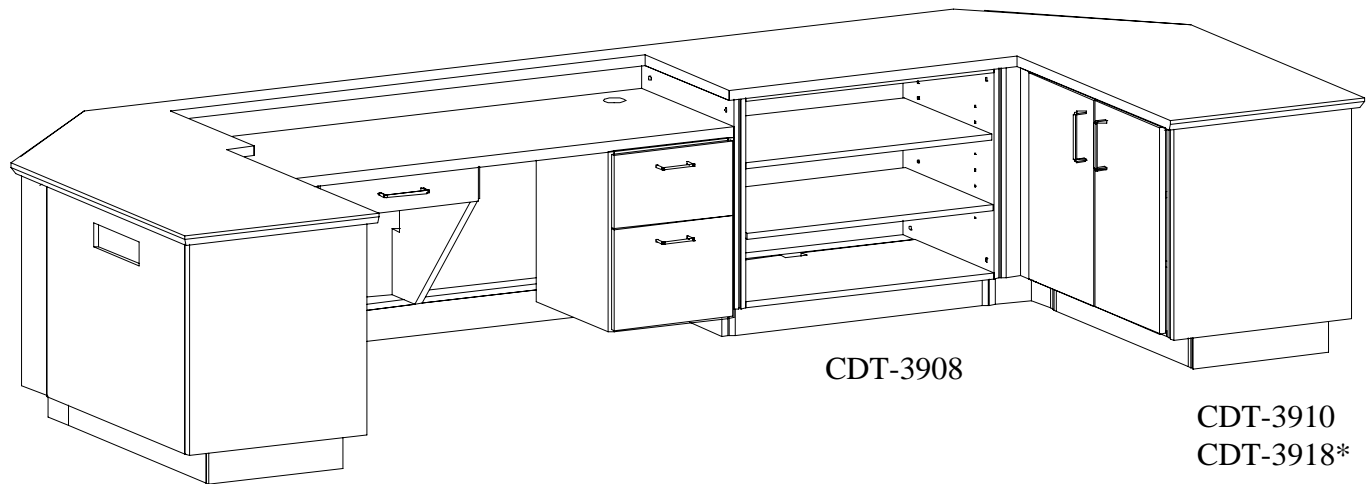
**CDT-1**



CDT-3905  
CDT-3918\*

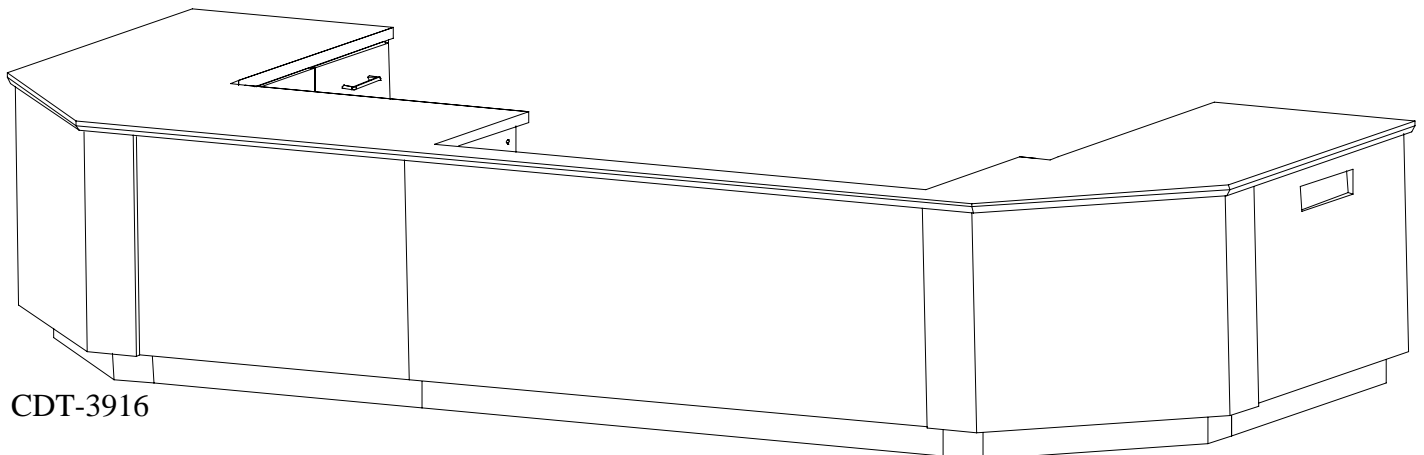
BT- D39

CDT-3903 with optional  
pencil drawer & pedestal



CDT-3908

CDT-3910  
CDT-3918\*

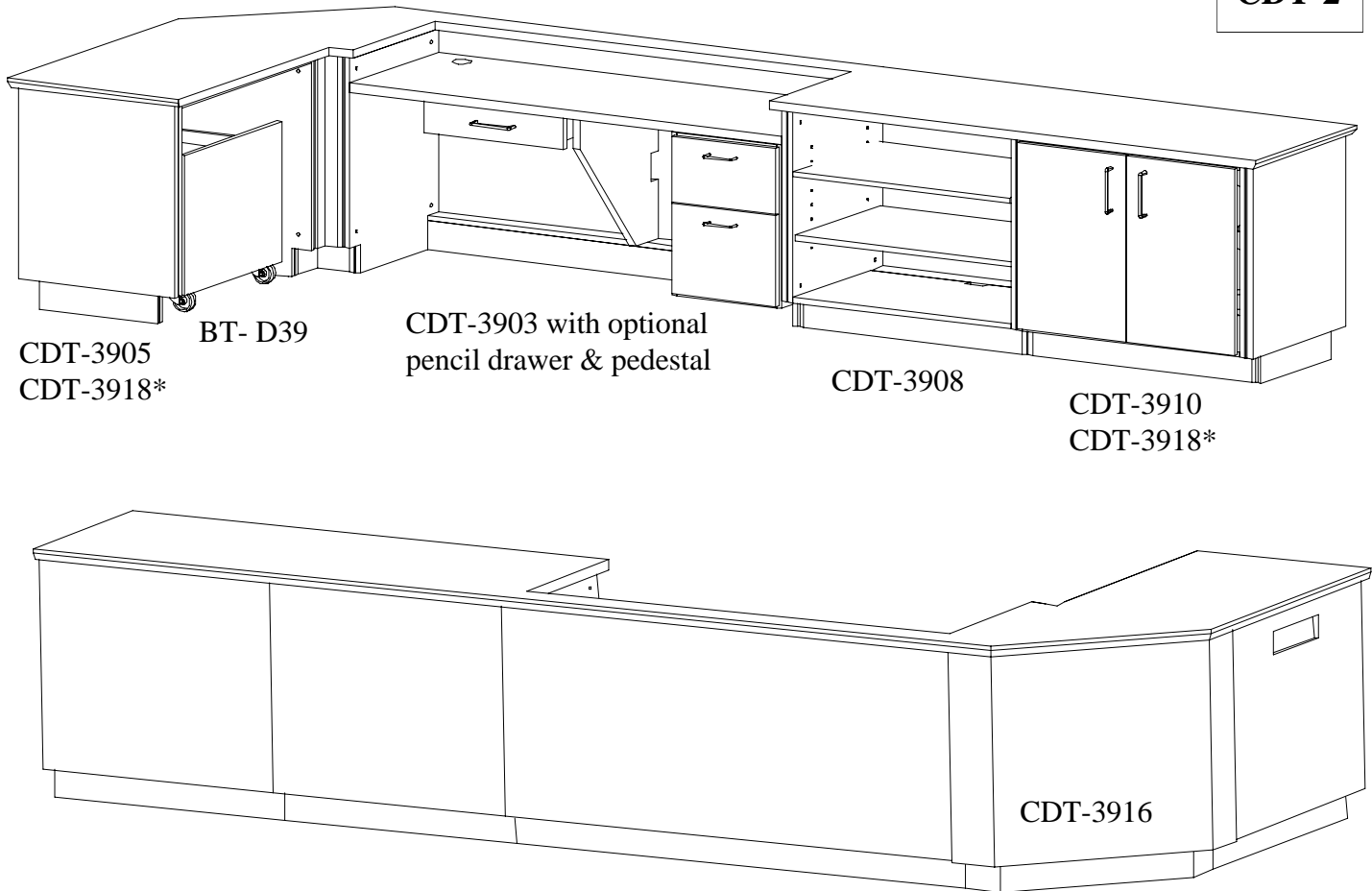


CDT-3916

CDT-3916

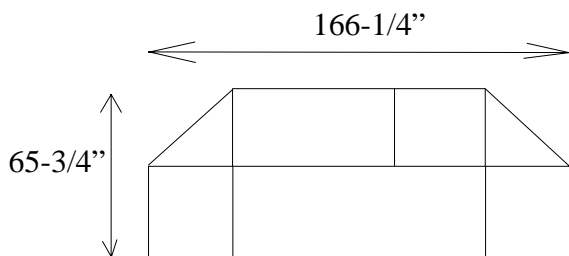
\*finished end-panel

**CDT-2**

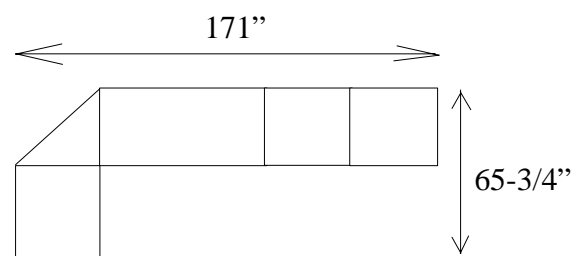


**The *Traditional Series* circulation desks feature a work surface that is constructed in one continuous piece & permanently fastened to the service units.**

The service units shown are featured as our most popular units in this series. These popular units are a book return with depressible truck, a corner unit, a double patron unit with an optional pencil drawer and pedestal, an open shelf unit, and a cupboard unit. When arranged the desks form either in a “U” shape or a “L” shape depending on the total number of service units ordered. If you desire a service unit that is not shown here then you can choose from the many others that follow. Even though tops are fixed - service units (except the patron desks) of the same size can unbolting, rearranged and re-bolting.



**Extended depth footprint 169-3/4”L x 68-3/4”W**

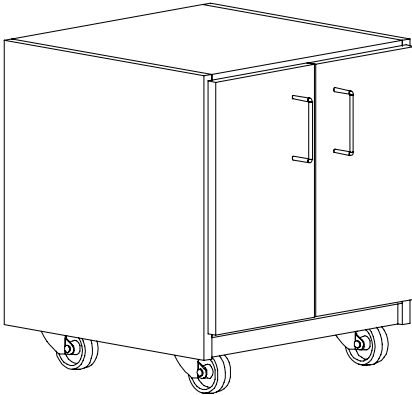


**Extended depth footprint 174-3/4”L x 68-3/4”W**

## For the ultimate in versatility...

Combine any of our desk units in this series with any of the following mobile units.

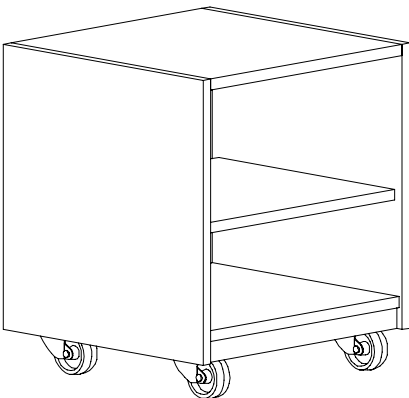
Combining mobile units and desk units allows you to change the function of any of your circulation desk work stations at a moment's notice. Units with permanent features can be used with desks that use mobile units.



### Mobile Cupboard Unit

This unit is supplied with two (2) shelves for the adult height and one (1) shelf for the elementary height. The back is supplied with grommets for wire management.

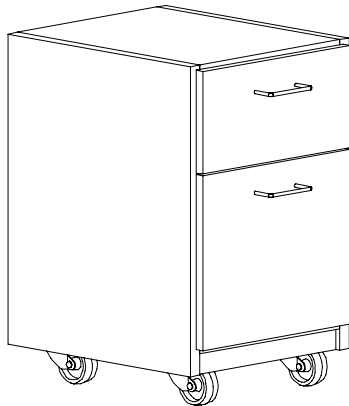
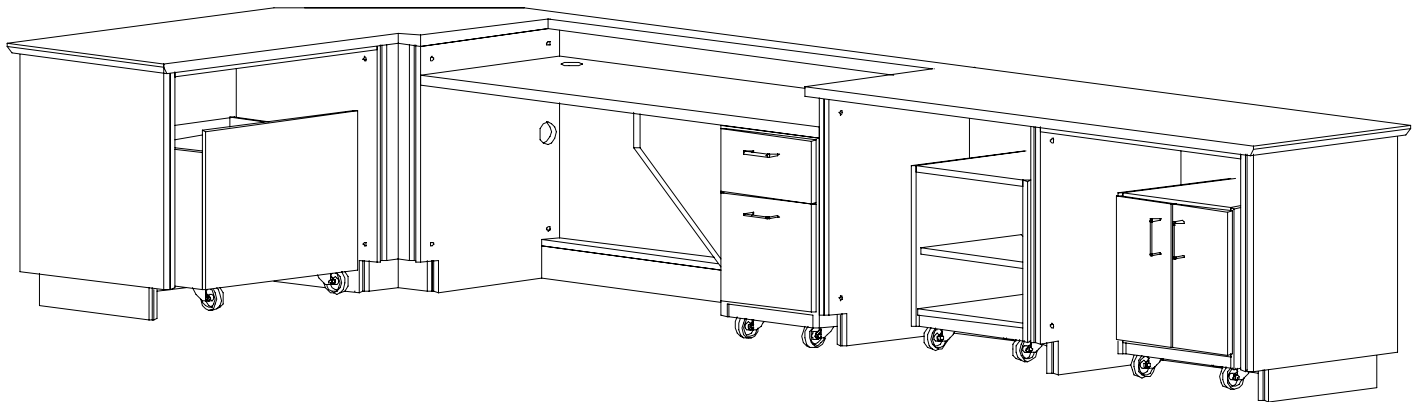
| Catalog # | Description       | Height" | Width" | Depth" | Price |
|-----------|-------------------|---------|--------|--------|-------|
| A-27      | Elementary height | 26      | 25     | 20     |       |
| A-28      | Adult height      | 36      | 25     | 20     |       |



### Mobile Open Shelf Unit

This unit is supplied with two (2) shelves for the adult height and one (1) shelf for the elementary height. The back is supplied with grommets for wire management.

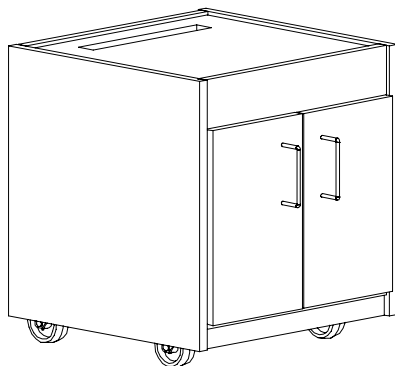
| Catalog # | Description       | Height" | Width" | Depth" | Price |
|-----------|-------------------|---------|--------|--------|-------|
| A-29      | Elementary height | 26      | 25     | 20     |       |
| A-30      | Adult height      | 30      | 25     | 20     |       |



**Mobile File Cabinet**

The elementary height unit is supplied with (1) box and (1) file drawer. The intermediate height unit is supplied with (2) boxes and (1) file. The adult height unit is supplied with (1) box drawer and (2) file drawers. The box drawer is 14-7/8”W x 18”D x 5-1/4”H. The file drawer is 14-7/8”W x 18”D x 10-1/2”H. The unit is counterbalanced so that it does not tip over under normal use when the file drawer is opened.

| Catalog # | Description         | Height" | Width" | Depth" | Price |
|-----------|---------------------|---------|--------|--------|-------|
| A-23      | Elementary height   | 25      | 17     | 19     |       |
| A-23A     | Intermediate height | 31      | 17     | 19     |       |
| A-23B     | Adult height        | 36      | 17     | 19     |       |



**Mobile Printer Stand**

Unit end panels are constructed of 1”T red oak veneer plywood. All other components are constructed with 3/4”T red oak veneer plywood. Unit is supplied with one (1) adjustable shelf and one (1) base shelf. The shelf is 22-134”W x 17”D x 3/4”T. Adj. Shelf is notched for wiring management. All exposed edges are edgebanded with 1/4”T solid red oak. Doors have satin chrome pulls. The bottom is supplied with a grommet for wire management. Wheels are 210 lbs rated ball-bearing swivel casters. The top is removable and is slotted for printer paper.

| Catalog # | Description      | Height" | Width" | Depth" | Price |
|-----------|------------------|---------|--------|--------|-------|
| A-24      | Universal height | 21      | 21     | 19     |       |

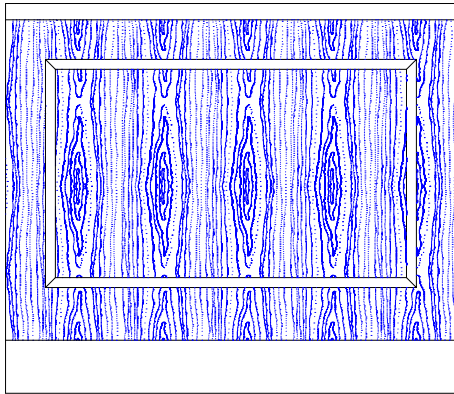
### Traditional Series Trim Packages

These trim packages for the Traditional Series give you a wide range of design and cost options.

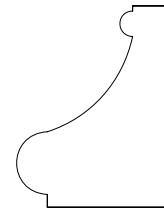
Ordering a trim package is simple.

1. Select the Traditional service units you desire in your circulation desk arrangement.
2. Determine the total number of single width or small corner units, multiply by selected package upcharge.
3. Determine the total number of double or larger corner units, multiply by selected package upcharge.
4. Add the total single and double widths to determine the total trim package upcharge.

NOTE: The Quantum and Regal packages are not available on radius corner desk or service units.

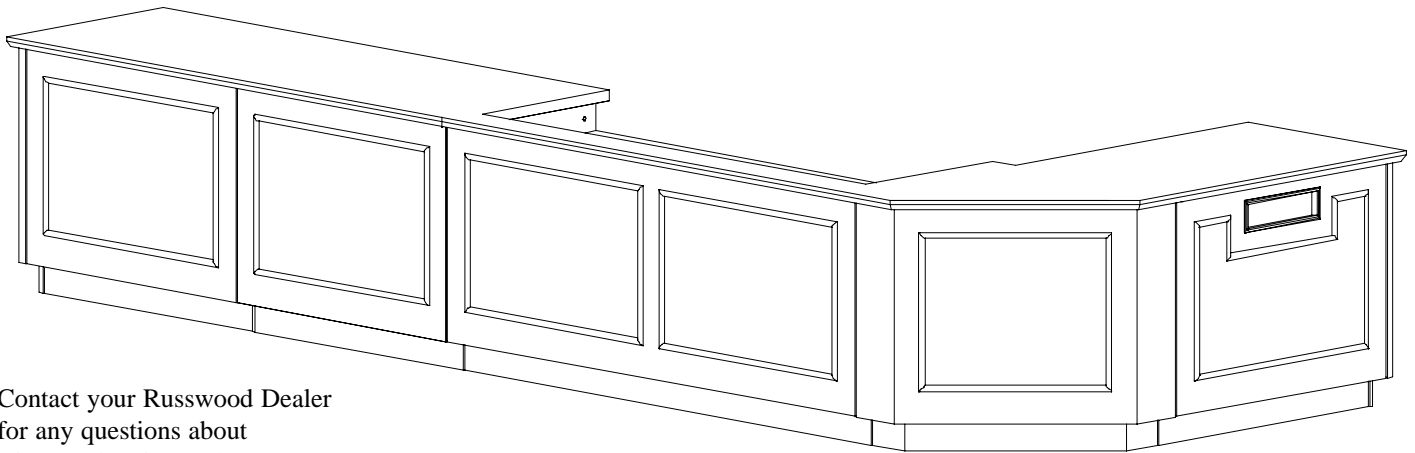


**Quadrum™**



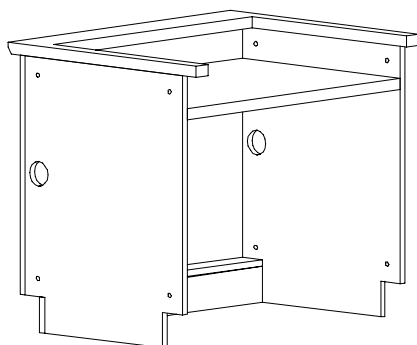
**Regal™**

The Quadrum and Regal packages can be applied to any flat modesty panel or end panel. The treatment forms a rectangle that is about 3" from all edges. The trim package comes with the choice of two moldings. The edge details of these two moldings can be seen below. On 36"L circulation desks the modesty panels receives one such rectangle while a 72"L unit would receive two such rectangles NOTE: The Quadrum and Regal packages are not available on radiused desk or corner units.



Contact your Russwood Dealer  
for any questions about  
Circ. Desk Trim Packages.

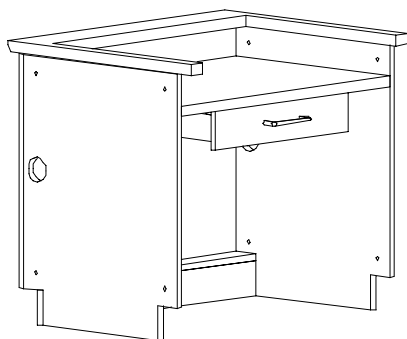
| Catalog # | Description                                 | Single W" unit upcharge                        | Double "W unit upcharge \$ |
|-----------|---|--|----------------------------|
| QDT-1     | Quadrum Trim Package for Traditional Series |  |                            |
| RGT-1     | Regal Trim Package for Traditional Series   |  |                            |
|           | <b>To figure upcharge:</b>                  | # Single units (x) upcharge per unit =         |                            |
|           |   | # Double units (x) upcharge per unit = + _____ |                            |
|           |   | Total upcharge \$                              |                            |



**Patron Desk Unit**

Each unit will have a recessed work surface measuring 34-1/2"W x 24"D, fastened with metal cleats and screws (work surface height of 29"). Work surface grommet, centered along length unless otherwise specified. The exposed edge of the recessed work surface will have a 1/4" thick, solid wood, internal edgeband. Extended depth units have work surface measuring 34-1/2"W x 27"D.

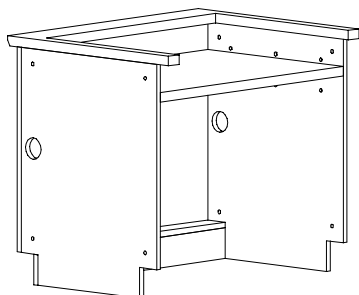
| Catalog # | Description                       | Height" | Width" | Depth" | Price |
|-----------|-----------------------------------|---------|--------|--------|-------|
| CDT-3202  | Elementary height, standard depth | 32      | 36     | 27     |       |
| CDT-3202E | Elementary height, extended depth | 32      | 36     | 30     |       |
| CDT-3902  | Adult height, standard depth      | 39      | 36     | 27     |       |
| CDT-3902E | Adult height, extended depth      | 39      | 36     | 30     |       |



**Patron Desk Unit with Pencil Drawer**

Each unit will have a recessed work surface measuring 34-1/2"W x 24"D, fastened with metal cleats and screws to provide an adult work surface height of 29". This unit is supplied with a work surface grommet, centered along the width unless otherwise specified. The pencil drawer is 18"W x 5-1/4"H x 14-7/8"D and centered under the work surface. Extended depth units will have a work surface measuring 34-1/2"W x 27"D.

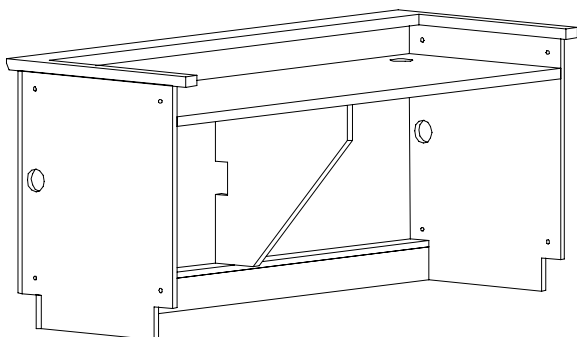
| Catalog # | Description                       | Height" | Width" | Depth" | Price |
|-----------|-----------------------------------|---------|--------|--------|-------|
| CDT-32353 | Elementary height, standard depth | 32      | 36     | 27     |       |
| CDT-3235E | Elementary height, extended depth | 32      | 36     | 30     |       |
| CDT-3935  | Adult height, standard depth      | 39      | 36     | 27     |       |
| CDT-3935E | Adult height, extended depth      | 39      | 36     | 30     |       |



**Patron Desk with adjustable work surface**

Each unit will have a recessed work surface measuring 34-1/2"W x 24"D, fastened with metal cleats and threaded inserts. The work surface is adjustable to accommodate a variety of possible needs. On the adult height unit, the work surface possibilities are 27"H, 29"H, and 32"H. On the elementary height unit, the work surface possibilities are 27"H, and 29"H.

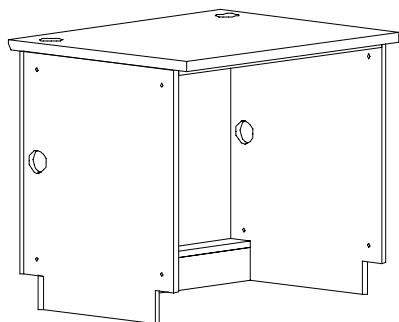
| Catalog # | Description                       | Height" | Width" | Depth" | Price |
|-----------|-----------------------------------|---------|--------|--------|-------|
| CDT-3248  | Elementary height, standard depth | 32      | 36     | 27     |       |
| CDT-3248E | Elementary height, extended depth | 32      | 36     | 30     |       |
| CDT-3948  | Adult height, standard depth      | 39      | 36     | 27     |       |
| CDT-3948E | Adult height, extended depth      | 39      | 36     | 30     |       |



### Double-Width Patron Desk Unit

Each unit will have a recessed work surface measuring 68-1/2"L x 24"D, fastened with metal cleats and screws to provide an adult work surface height of 29"H. This unit is supplied with two (2) work surface grommets located toward each end unless otherwise specified. The exposed edge of the recessed work surface will receive a 1/4" thick, solid wood, internal edgeband. The work surface will be supported at midspan with a 1" thick stiffknee that rests on top of the toe board. Extended depth units will have a work surface measuring 68-1/2"W x 27"D.

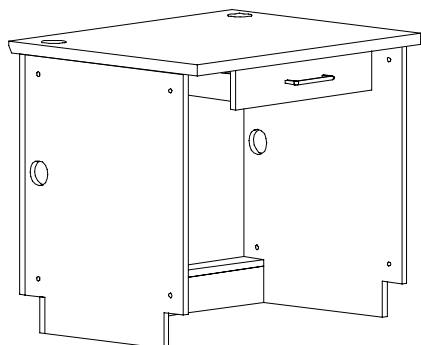
| Catalog # | Description                       | Height" | Width" | Depth" | Price |
|-----------|-----------------------------------|---------|--------|--------|-------|
| CDT-3203  | Elementary height, standard depth | 32      | 70     | 27     |       |
| CDT-3203E | Elementary height, extended depth | 32      | 70     | 30     |       |
| CDT-3903  | Adult height, standard depth      | 39      | 70     | 27     |       |
| CDT-3903E | Adult height, extended depth      | 39      | 70     | 30     |       |



### Desk Unit

Each unit will have inside dimensions of 34-1/2"W x 24"D. If requested, work surface grommets are located along the patron edge toward each end.

| Catalog # | Description                       | Height" | Width" | Depth" | Price |
|-----------|-----------------------------------|---------|--------|--------|-------|
| CDT-3234  | Elementary height, standard depth | 32      | 36     | 27     |       |
| CDT-3234E | Elementary height, extended depth | 32      | 36     | 30     |       |
| CDT-3934  | Adult height, standard depth      | 39      | 36     | 27     |       |
| CDT-3934E | Adult height, extended depth      | 39      | 36     | 30     |       |

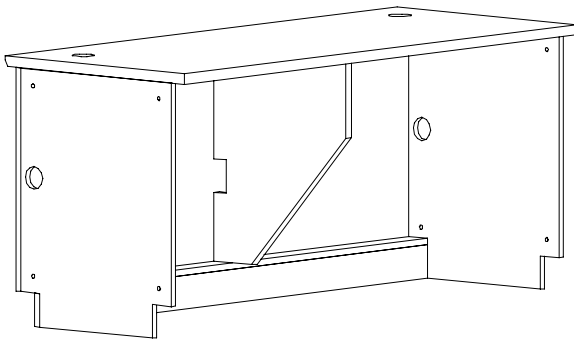


### Desk Unit with Pencil Drawer

Each unit will have inside dimensions of 34-1/2"W x 24"D. If requested, work surface grommets are located along the patron edge toward each end. Pencil drawer is 18"W x 3"H x 14-7/8"D and centered under the work surface.

| Catalog # | Description                       | Height" | Width" | Depth" | Price |
|-----------|-----------------------------------|---------|--------|--------|-------|
| CDT-3247  | Elementary height, standard depth | 32      | 36     | 27     |       |
| CDT-3247E | Elementary height, extended depth | 32      | 36     | 30     |       |
| CDT-3947  | Adult height, standard depth      | 39      | 36     | 27     |       |
| CDT-3947E | Adult height, extended depth      | 39      | 36     | 30     |       |





**Double Width Desk Unit**

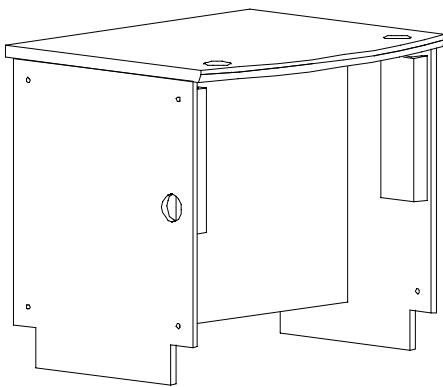
Each unit will have inside dimensions of 68-1/2"W x 24"D. If requested, work surface grommets are located toward each end and along the back edge unless otherwise specified.

| Catalog # | Description                       | Height" | Width" | Depth" | Price |
|-----------|-----------------------------------|---------|--------|--------|-------|
| CDT-3253  | Elementary height, standard depth | 32      | 70     | 27     |       |
| CDT-3253E | Elementary height, extended depth | 32      | 70     | 30     |       |
| CDT-3953  | Adult height, standard depth      | 39      | 70     | 27     |       |
| CDT-3953E | Adult height, extended depth      | 39      | 70     | 30     |       |

**ADA Transaction Unit**

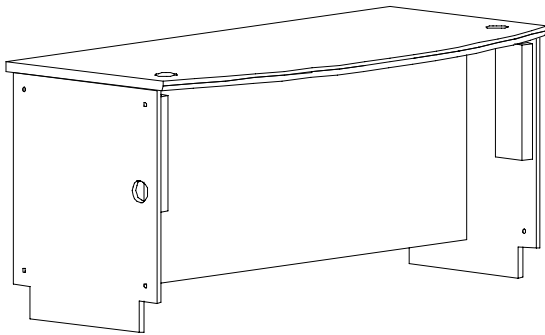
Adult-height units will have a 36"W x 36"D work surface mounted at 32"H (both heights) and modesty panel mounted along unit midline. Elementary-height units will have a continuous work surface that extends to 36"D along unit width and modesty panel mounted along unit midline. This unit is supplied with two (2) work surface grommets located at each end unless otherwise specified. Wire chases are provided to conceal wires.

**Note**, when the adult version is used between two other adult units, the resulting effect will be a captured top. When the adult version is used on one end of the circulation desk, an *elementary finished end panel* should be ordered for that end. This unit is supplied with two work surface grommets located each end of the unit unless otherwise specified.



| Catalog # | Description                       | Height" | Width" | Depth" | Price |
|-----------|-----------------------------------|---------|--------|--------|-------|
| CDT-3220  | Elementary height, standard depth | 32      | 36     | 36     |       |
| CDT-3220E | Elementary height, extended depth | 32      | 36     | 36     |       |
| CDT-3920  | Adult height, standard depth      | 32      | 36     | 36     |       |
| CDT-3920E | Adult height, extended depth      | 32      | 36     | 36     |       |

“It is the mark of an educated mind to be able to entertain a thought without accepting it.” Aristotle

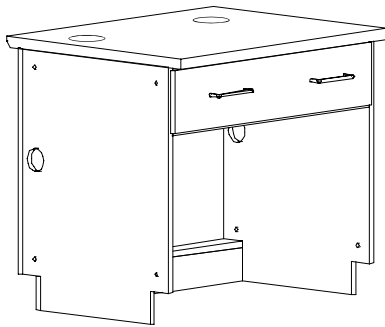


**Double-Width ADA Transaction Unit**

Adult-height units will have a 70"W x 36"D captured work surface mounted at 32"H and modesty panel mounted along unit midline. Elementary-height units will have a continuous work surface that extends to 36"D along unit width and modesty panel mounted along unit midline. This unit is supplied with two (2) work surface grommets located at each end unless otherwise specified.

**Note**, when the adult version is used between two other adult units, the resulting effect will be a captured top. When the adult version is used on one end of the circulation desk, an *elementary finished end panel* should be ordered for that end. This unit is supplied with two work surface grommets located each end of the unit unless otherwise specified.

| Catalog # | Description                       | Height" | Width" | Depth" | Price |
|-----------|-----------------------------------|---------|--------|--------|-------|
| CDT-3221  | Elementary height, standard depth | 32      | 70     | 36     |       |
| CDT-3221E | Elementary height, extended depth | 32      | 70     | 36     |       |
| CDT-3921  | Adult height, standard depth      | 32      | 70     | 36     |       |
| CDT-3921E | Adult height, extended depth      | 32      | 70     | 36     |       |

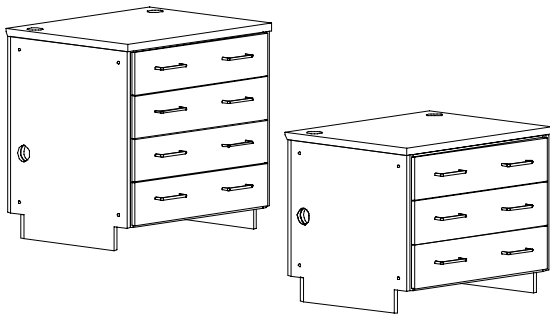


**Single Drawer Knee Space Unit**

If requested, work surface grommets are located toward each end and along the back edge unless otherwise specified. Each unit will have a full-width drawer measuring 33-1/2"W x 18"D x 5-1/4"H.

| Catalog # | Description                       | Height" | Width" | Depth" | Price |
|-----------|-----------------------------------|---------|--------|--------|-------|
| CDT-3236  | Elementary height, standard depth | 32      | 36     | 27     |       |
| CDT-3236E | Elementary height, extended depth | 32      | 36     | 30     |       |
| CDT-3936  | Adult height, standard dept       | 39      | 36     | 27     |       |
| CDT-3936E | Adult height, extended depth      | 39      | 36     | 30     |       |

“An educated person is one  
 who has learned that information  
 almost always turns out to be  
 at best incomplete...”  
 Russell Baker

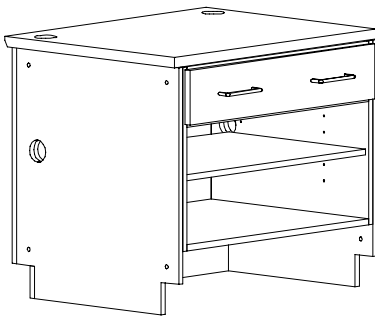


Shown Adult & Elementary

**Single Drawer Stack Unit**

Each unit will consist of a stack of full width drawers measuring 33-1/2"W x 18"D x 5-1/4"H. The adult height unit will be supplied with four (4) drawers and the elementary unit will be supplied with three (3) drawers. If requested, work surface grommets are located along the patron edge toward each end.

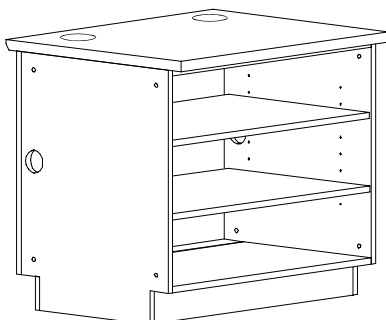
| Catalog # | Description                       | Height" | Width" | Depth" | Price |
|-----------|-----------------------------------|---------|--------|--------|-------|
| CDT-3222  | Elementary height, standard depth | 32      | 36     | 27     |       |
| CDT-3222E | Elementary height, standard depth | 32      | 36     | 30     |       |
| CDT-3922  | Adult height, standard depth      | 39      | 36     | 27     |       |
| CDT-3922E | Adult height, extended depth      | 39      | 36     | 30     |       |



**Single Drawer Open Shelf Unit**

Each unit will consist a full width drawer measuring 33-1/2"W x 18"D x 5-1/4"H. Each unit will have (1) base shelf measuring 34-1/2"W x 23-13/16"D which is removable to provide wiring access for floor receptacles. Adjustable shelves will measure 34-1/4"W x 22"D, which provides a 3/4"D wiring access at the rear of the shelf, so as to not impede the shelf's free-adjustment. Adult-height units will be supplied with two (2) adjustable shelves and elementary-height units will be supplied with one (1) adjustable shelf. If requested, work surface grommets are located along the patron edge toward each end.

| Catalog # | Description                       | Height" | Width" | Depth" | Price |
|-----------|-----------------------------------|---------|--------|--------|-------|
| CDT-3237  | Elementary height, standard depth | 32      | 36     | 27     |       |
| CDT-3237E | Elementary height, extended depth | 32      | 36     | 30     |       |
| CDT-3937  | Adult height, standard depth      | 39      | 36     | 27     |       |
| CDT-3937E | Adult height, extended depth      | 39      | 36     | 30     |       |

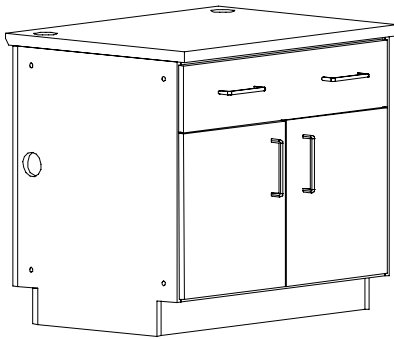


**Open Shelf Unit**

Each unit will be supplied with one removable (1) base shelf measuring 34-1/2"W x 23-13/16"D to provide wiring access for floor receptacles. Adjustable shelves will measure 34-1/4"W x 22"D, providing a 3/4"D wiring access at the rear of the shelf, so as to not impede the shelf's free-adjustment. Adult-height units will be supplied with two (2) adjustable shelves and elementary-height units will be supplied with one (1) adjustable shelf. If requested, work surface grommets are located along the patron edge toward each end.

| Catalog # | Description                       | Height" | Width" | Depth" | Price |
|-----------|-----------------------------------|---------|--------|--------|-------|
| CDT-3208  | Elementary height, standard depth | 32      | 36     | 27     |       |
| CDT-3208E | Elementary height, extended depth | 32      | 36     | 30     |       |
| CDT-3908  | Adult height, standard depth      | 39      | 36     | 27     |       |
| CDT-3908E | Adult height, extended depth      | 39      | 36     | 30     |       |

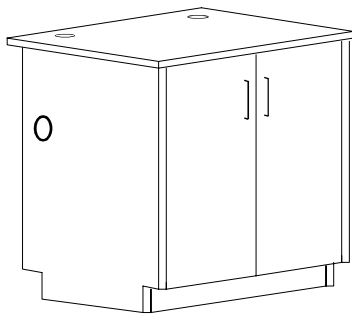
Circulation Desks



**Single Drawer Cupboard Unit**

Each unit will have a single drawer measuring 33-1/2"W x 18"D x 5-1/4"H under the work surface. A movable base shelf measuring 34-1/2"W x 23-13/16"D provides wiring access for floor receptacles. Adjustable shelves measure 34-1/4"W x 22"D, providing a 3/4"D wiring access at the rear of the shelf, so as to not impede the shelf's free-adjustment. Adult-height units will be supplied with 2 adjustable shelves and elementary-height units will be supplied with 1 adjustable shelf. Cupboard doors are secured with one lock unless otherwise specified. If requested, work surface grommets are located along the patron edge toward each end.

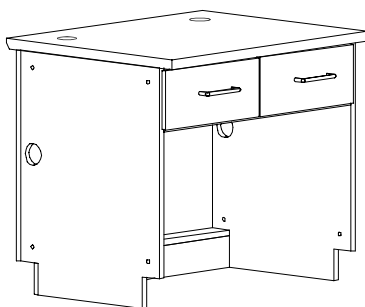
| Catalog # | Description                       | Height" | Width" | Depth" | Price |
|-----------|-----------------------------------|---------|--------|--------|-------|
| CDT-3246  | Elementary height, standard depth | 32      | 36     | 27     |       |
| CDT-3246E | Elementary height, extended depth | 32      | 36     | 30     |       |
| CDT-3946  | Adult height, standard depth      | 39      | 36     | 27     |       |
| CDT-3946E | Adult height, extended depth      | 39      | 36     | 30     |       |



**Cupboard Unit**

Each unit will be supplied with one (1) base shelf measuring 34-1/2"W x 23-13/16"D which is removable to provide wiring access for floor receptacles. Adjustable shelves will measure 34-1/4"W x 22"D, which provides a 3/4"D wiring access at the rear of the shelf, so as to not impede the shelf's free-adjustment. Adult-height units will be supplied with two (2) adjustable shelves and elementary-height units will be supplied with one (1) adjustable shelf. This unit is supplied with one (1) lock that locks both doors unless otherwise specified. If requested, work surface grommets are located along the patron edge toward each end.

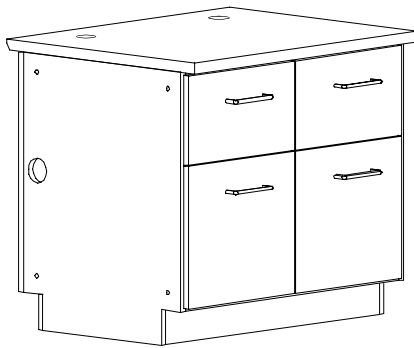
| Catalog # | Description                       | Height" | Width" | Depth" | Price |
|-----------|-----------------------------------|---------|--------|--------|-------|
| CDT-3210  | Elementary height, standard depth | 32      | 36     | 27     |       |
| CDT-3210E | Elementary height, extended depth | 32      | 36     | 30     |       |
| CDT-3910  | Adult height, standard depth      | 39      | 36     | 27     |       |
| CDT-3910E | Adult height, extended depth      | 39      | 36     | 30     |       |



**Double Drawer Knee Space Unit**

Each unit will have two (2) equal-width drawers measuring 14-7/8"W x 18"D x 5-1/4"H. This unit is supplied with one (1) lock on the right drawer unless otherwise specified. If requested, work surface grommets are located along the patron edge toward each end.

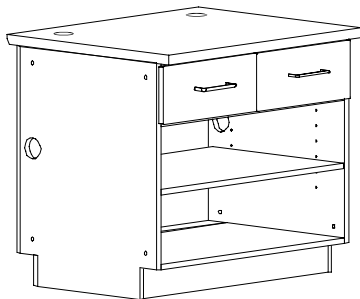
| Catalog # | Description                       | Height" | Width" | Depth" | Price |
|-----------|-----------------------------------|---------|--------|--------|-------|
| CDT-3209  | Elementary height, standard depth | 32      | 36     | 27     |       |
| CDT-3209E | Elementary height, extended depth | 32      | 36     | 30     |       |
| CDT-3909  | Adult height, standard depth      | 39      | 36     | 27     |       |
| CDT-3909E | Adult height, extended depth      | 39      | 36     | 30     |       |



**Double Drawer Stack Unit**

Each unit will have a double stack of equal-width drawers, configured according to height. Adult-height units will have four (4) file drawers measuring 14-7/8"W x 18"L x 10-1/2"H and two (2) box drawers measuring 14-7/8"W x 18"D x 5-1/4"H. Elementary-height units will have four (4) file drawers measuring 14-7/8"W x 18"D x 10-1/2"H. This unit is supplied with one (1) front-mounted lock on right drawer unless otherwise specified. If requested, work surface grommets are located along the patron edge toward each end.

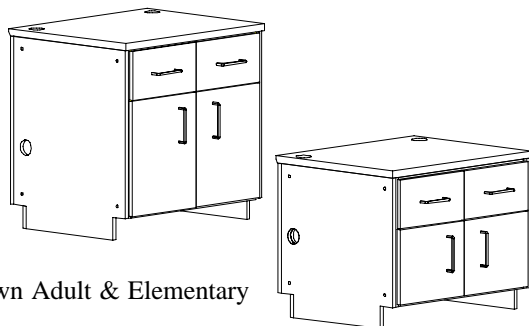
| Catalog # | Description                       | Height" | Width" | Depth" | Price |
|-----------|-----------------------------------|---------|--------|--------|-------|
| CDT-3229  | Elementary height, standard depth | 32      | 36     | 27     |       |
| CDT-3229E | Elementary height, extended depth | 32      | 36     | 30     |       |
| CDT-3929  | Adult height, standard depth      | 39      | 36     | 27     |       |
| CDT-3929E | Adult height, extended depth      | 39      | 36     | 30     |       |



**Double Drawer Open Shelf Unit**

Each unit will have (2) equal-width drawers measuring 14-7/8"W x 18"D x 5-1/4"H. Each unit will be supplied with one (1) base shelf measuring 34-1/2"W x 23-13/16"D which is removable to provide wiring access for floor receptacles. Each unit will also be supplied with one (1) adjustable shelf measuring 34-1/4"W x 22"D, which provides a 3/4"D wiring access at the rear of the shelf, so as to not impede the shelf's free-adjustment. Also, this unit is supplied with one (1) lock on the right drawer unless otherwise specified. If requested, work surface grommets are located along the patron edge toward each end.

| Catalog # | Description                       | Height" | Width" | Depth" | Price |
|-----------|-----------------------------------|---------|--------|--------|-------|
| CDT-3207  | Elementary height, standard depth | 32      | 36     | 27     |       |
| CDT-3207E | Elementary height, extended depth | 32      | 36     | 30     |       |
| CDT-3907  | Adult height, standard depth      | 39      | 36     | 27     |       |
| CDT-3907E | Adult height, extended depth      | 39      | 36     | 30     |       |



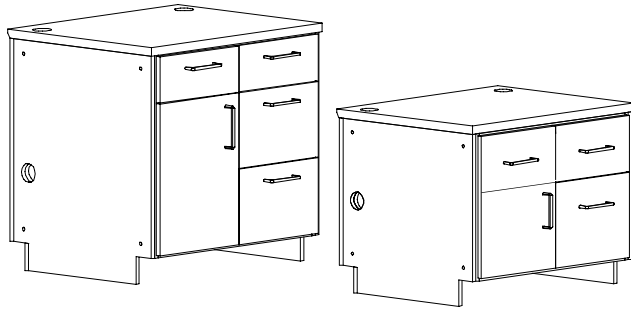
Shown Adult & Elementary

**Double Drawer Cupboard Unit**

Each unit will have two equal measure drawers 14-7/8"W x 18"D x 5-1/4"H. One removable base shelf measuring 34-1/2"W x 23-15/16"D provides wiring access for floor receptacles. Adjustable shelves will measure 34-1/2"W x 22"D, providing 3/4"D wiring access at the rear of the shelf, so as to not impede the shelf's free-adjustment. Adult-height units will be supplied with two (2) adj. shelves and elementary-height units will be supplied with one (1) adjustable shelf. This unit is supplied with one (1) lock on right drawer unless otherwise specified. If requested, work surface grommets are located along the patron edge toward each end.

| Catalog # | Description                       | Height" | Width" | Depth" | Price |
|-----------|-----------------------------------|---------|--------|--------|-------|
| CDT-3238  | Elementary height, standard depth | 32      | 36     | 27     |       |
| CDT-3238E | Elementary height, extended depth | 32      | 36     | 30     |       |
| CDT-3938  | Adult height, standard depth      | 39      | 36     | 27     |       |
| CDT-3938E | Adult height, extended depth      | 39      | 36     | 30     |       |

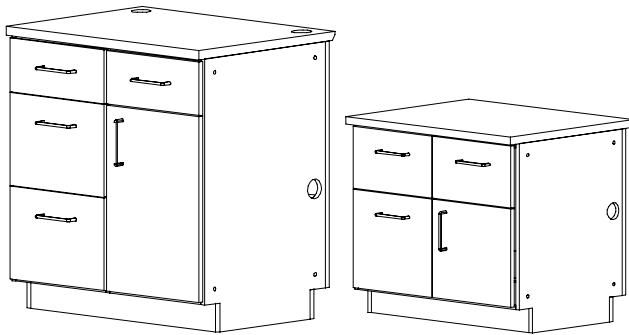
Circulation Desks



**Double Drawer, Left Cupboard & File Unit**

Each adult height unit will have 2 box drawers, 2 file drawers and 2 adjustable shelves. Elementary height units have 2 box drawers, 1 file drawer and 1 adjustable shelf. The top drawers and cupboard door will have a lock. The box drawers are 14-7/8"W x 18"D x 5-1/4"H. The file drawers are 14-7/8"W x 18"D x 10-1/2"H. Cupboard left side, File Drawers on right. If requested, work surface grommets are located along the patron edge toward each end.

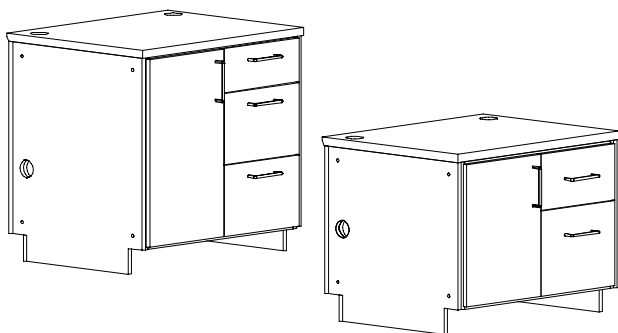
| Catalog # | Description                       | Height" | Width" | Depth" | Price |
|-----------|-----------------------------------|---------|--------|--------|-------|
| CDT-3241  | Elementary height, standard depth | 32      | 36     | 27     |       |
| CDT-3241E | Elementary height, extended depth | 32      | 36     | 30     |       |
| CDT-3941  | Adult height, standard depth      | 39      | 36     | 27     |       |
| CDT-3941E | Adult height, extended depth      | 39      | 36     | 30     |       |



**Double Drawer, Right Cupboard & File Unit**

Each adult height unit will have 2 box drawers, 2 file drawers and 2 adjustable shelves. Elementary height units have 2 box drawers, 1 file drawer and 1 adjustable shelf. The top drawers and cupboard door will have a lock. The box drawers are 14-7/8"W x 18"D x 5-1/4"H. The file drawers are 14-7/8"W x 18"D x 10-1/2"H. Cupboard on right side file drawers on left side. If requested, work surface grommets are located along the patron edge toward each end.

| Catalog # | Description                       | Height" | Width" | Depth" | Price |
|-----------|-----------------------------------|---------|--------|--------|-------|
| CDT-3254  | Elementary height, standard depth | 32      | 36     | 27     |       |
| CDT-3254E | Elementary height, extended depth | 32      | 36     | 30     |       |
| CDT-3954  | Adult height, standard depth      | 39      | 36     | 27     |       |
| CDT-3954E | Adult height, extended depth      | 39      | 36     | 30     |       |

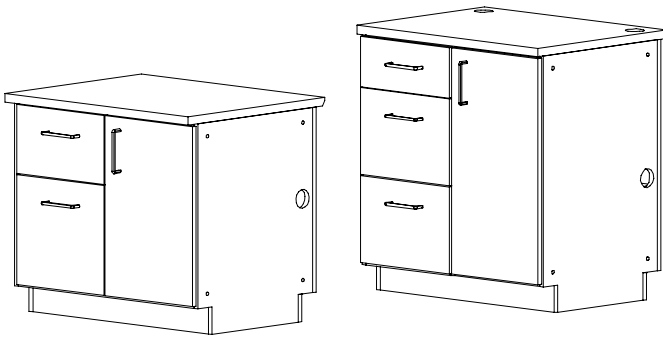


**File Drawer Left Cupboard Unit**

Each adult height unit will have two (2) file drawers, one (1) box drawer, and two (2) adjustable shelves. Elementary height units have one (1) box drawer, one (1) file drawer and one (1) adjustable shelf. The top drawer and cupboard door will receive a lock. The box drawers are 14-7/8"W x 5-1/4"H x 18"D. The file drawers are 14-7/8"W x 18"D x 10-1/2"H. The drawer tack will be on the right side and the cupboard unit will be on the left side. If requested, work surface grommets are located along the patron edge toward each end.

| Catalog # | Description                       | Height" | Width" | Depth" | Price |
|-----------|-----------------------------------|---------|--------|--------|-------|
| CDT-3240  | Elementary height, standard depth | 32      | 36     | 27     |       |
| CDT-3240E | Elementary height, extended depth | 32      | 36     | 30     |       |
| CDT-3940  | Adult height, standard depth      | 39      | 36     | 27     |       |
| CDT-3940E | Adult height, extended depth      | 39      | 36     | 30     |       |

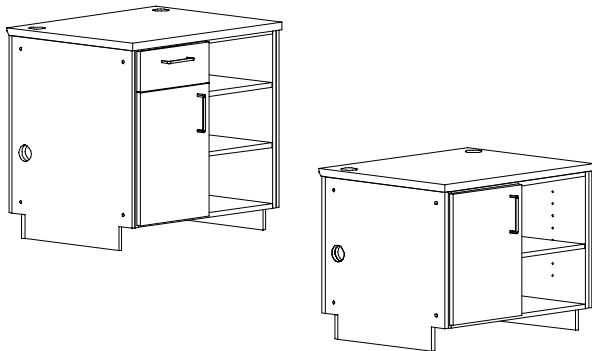
Shown Adult & Elementary



**File Drawer Right Cupboard Unit**

Each adult height unit will have one (1) box drawer, two (2) file drawers and two (2) adjustable shelves. Elementary height units have one (1) box drawer, one (1) file drawer and one (1) adjustable shelf. The top drawer and cupboard door will receive a lock. The box drawers are 14-7/8"W x 18"D x 5-1/4"H. The file drawers are 14-7/8"W x 18"D x 10-1/2"H. The drawer stack will be on the left side, the cupboard unit on the right side. If requested, work surface grommets are located along the patron edge toward each end.

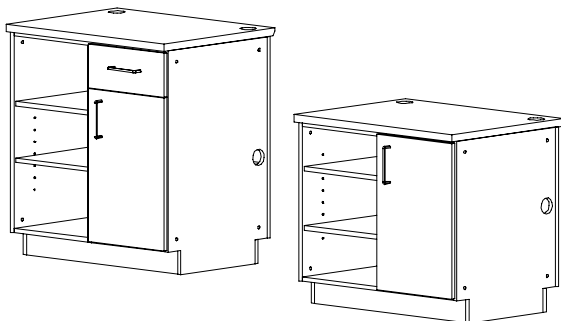
| Catalog # | Description                       | Height" | Width" | Depth" | Price |
|-----------|-----------------------------------|---------|--------|--------|-------|
| CDT-3239  | Elementary height, standard depth | 32      | 36     | 27     |       |
| CDT-3239E | Elementary height, extended depth | 32      | 36     | 30     |       |
| CDT-3939  | Adult height, standard depth      | 39      | 36     | 27     |       |
| CDT-3939E | Adult height, extended depth      | 39      | 36     | 30     |       |



**Left Cupboard Open Shelf Unit**

On the left side, the adult unit will be supplied with a locking box drawer and a cupboard space with two (2) adjustable shelves, and the elementary unit will only be supplied with a left cupboard unit with one (1) adjustable shelf. The right side of the unit will be open adjustable shelving. The adult height unit will be supplied with two (2) adjustable shelves, and the elementary height unit will be supplied with one (1) adjustable shelf. Adult unit box drawer is 14-7/8"W x 18"D x 5-1/4"H. If requested, work surface grommets are located along the patron edge toward each end.

| Catalog # | Description                       | Height" | Width" | Depth" | Price |
|-----------|-----------------------------------|---------|--------|--------|-------|
| CDT-3242  | Elementary height, standard depth | 32      | 36     | 27     |       |
| CDT-3242E | Elementary height, extended depth | 32      | 36     | 30     |       |
| CDT-3942  | Adult height, standard depth      | 39      | 36     | 27     |       |
| CDT-3942E | Adult height, extended depth      | 39      | 36     | 30     |       |



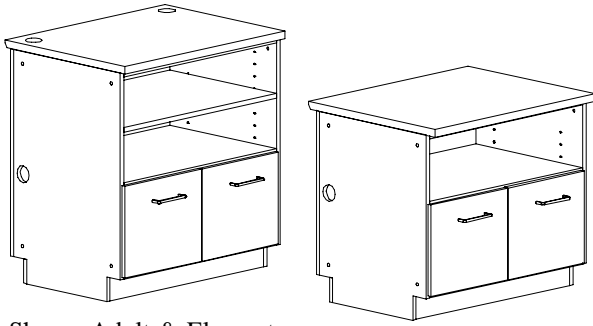
**Right Cupboard Open Shelf Unit**

On the right side, the adult unit will be supplied with a locking box drawer and a cupboard space with two (2) adjustable shelves and the elementary unit will only be supplied with only a cupboard unit with one (1) adjustable shelf. The left side of the unit will be open adjustable shelving. The adult height unit will be supplied with two (2) adjustable shelves, and the elementary height unit will be supplied with one (1) adjustable shelf. Adult unit box drawer is a 14-7/8"W x 18"D x 5-1/4"H. If requested, work surface grommets are located along the patron edge toward each end.

| Catalog # | Description                       | Height" | Width" | Depth" | Price |
|-----------|-----------------------------------|---------|--------|--------|-------|
| CDT-3243  | Elementary height, standard depth | 32      | 36     | 27     |       |
| CDT-3243E | Elementary height, extended depth | 32      | 36     | 30     |       |
| CDT-3943  | Adult height, standard depth      | 39      | 36     | 27     |       |
| CDT-3943E | Adult height, extended depth      | 39      | 36     | 30     |       |

Shown Adult & Elementary

## Circulation Desks

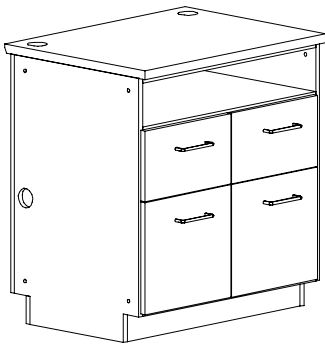


Shown Adult & Elementary

### Two-Drawer File Open Top Shelf Unit

Each unit has two equal-width file drawers measuring 14-7/8"W x 18"D x 10-1/2"H. Each unit will be supplied with one (1) fixed shelf measuring 34-1/2"W x 24"D. Adjustable shelves will measure 34-1/2"W x 22"D, which provides a 3/4"D wiring access at the rear of the shelf, so as to not impede the shelf's free-adjustment. Adult-height units will be supplied with one (1) adjustable shelf and elementary-height units will not be supplied with an adjustable shelf. If requested, work surface grommets are located along the patron edge toward each end.

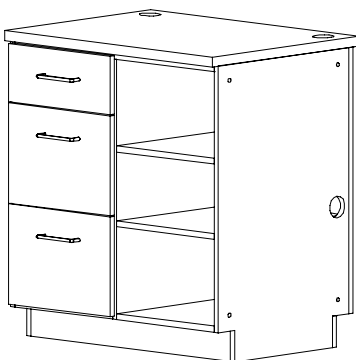
| Catalog # | Description                       | Height" | Width" | Depth" | Price |
|-----------|-----------------------------------|---------|--------|--------|-------|
| CDT-3214  | Elementary height, standard depth | 32      | 36     | 27     |       |
| CDT-3214E | Elementary height, extended depth | 32      | 36     | 30     |       |
| CDT-3914  | Adult height, standard depth      | 39      | 36     | 27     |       |
| CDT-3914E | Adult height, extended depth      | 39      | 36     | 30     |       |



### Four-Drawer File Open Top Shelf Unit

Each unit has four equal-width file drawers measuring 14-7/8"W x 18"D x 10-1/2"H. Adult-height units are supplied with one (1) fixed shelf measuring 34-1/2"W x 24"D to provide open storage of materials. Elementary-height units will not have open storage compartment. If requested, work surface grommets are located along the patron edge toward each end.

| Catalog # | Description                       | Height" | Width" | Depth" | Price |
|-----------|-----------------------------------|---------|--------|--------|-------|
| CDT-3215  | Elementary height, standard depth | 32      | 36     | 27     |       |
| CDT-3215E | Elementary height, extended depth | 32      | 36     | 30     |       |
| CDT-3915  | Adult height, standard depth      | 39      | 36     | 27     |       |
| CDT-3915E | Adult height, extended depth      | 39      | 36     | 30     |       |



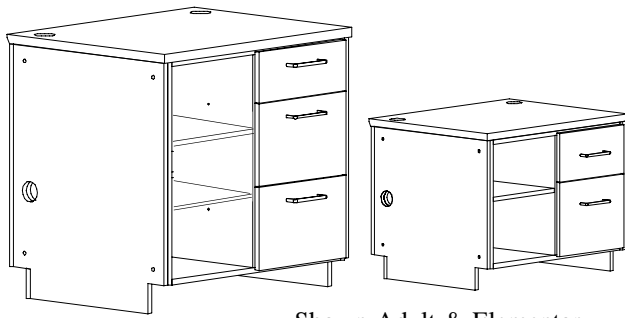
Shown Adult - see 3245 for elementary features

### Left File Drawer Open Shelf Unit

Each adult height unit will have two (2) file drawers, one (1) box drawer, and two (2) adjustable shelves. Elementary height units will have one (1) box drawer, one (1) file drawer and one (1) adjustable shelf. The top drawer will receive a lock. The box drawers are 14-7/8"W x 5-1/4"H x 18"D. The file drawers are 14-7/8"W x 18"D x 10-1/2"H. The drawer stack will be on the left side and the open shelf will be on the right side. Adult unit box drawer is 14-7/8"W x 18"D x 5-1/4"H. If requested, work surface grommets are located along the patron edge toward each end.

| Catalog # | Description                       | Height" | Width" | Depth" | Price |
|-----------|-----------------------------------|---------|--------|--------|-------|
| CDT-3244  | Elementary height, standard depth | 32      | 36     | 27     |       |
| CDT-3244E | Elementary height, extended depth | 32      | 36     | 30     |       |
| CDT-3944  | Adult height, standard depth      | 39      | 36     | 27     |       |
| CDT-3944E | Adult height, extended depth      | 39      | 36     | 30     |       |



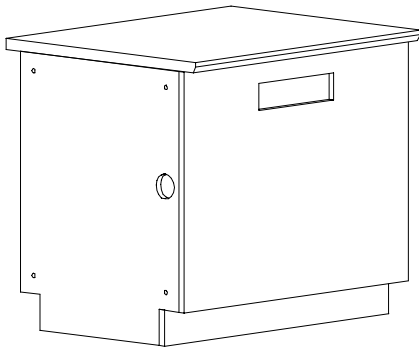


Shown Adult & Elementary

**Right File Drawer Open Shelf Unit**

Each adult height unit will have two (2) file drawers, one (1) box drawer, and two (2) adjustable shelves. Elementary height units will have one (1) box drawer, one (1) file drawer and one (1) adjustable shelf. The top drawer will receive a lock. The box drawers are 14-7/8"W x 18"D x 5-1/4"H. The file drawers are 14-7/8"W x 18"D x 10-1/2"H. The drawer stack will be on the right side and the open shelf will be on the left side. If requested, work surface grommets are located along the patron edge toward each end.

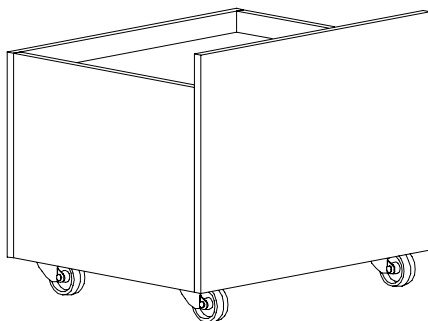
| Catalog # | Description                       | Height" | Width" | Depth" | Price |
|-----------|-----------------------------------|---------|--------|--------|-------|
| CDT-3245  | Elementary height, standard depth | 32      | 36     | 27     |       |
| CDT-3245E | Elementary height, extended depth | 32      | 36     | 30     |       |
| CDT-3945  | Adult height, standard depth      | 39      | 36     | 27     |       |
| CDT-3945E | Adult height, extended depth      | 39      | 36     | 30     |       |



**Book Return Unit**

Each unit will have an open-back design to allow insertion of a depressible book truck (BT-D39 for adult-height units or BT-D32 for elementary-height units). The front panel will have a 3"H x 12"W book-return slot, fully edgebanded, with an internal wood chute so as to allow gentle deposit of books into book truck. If requested, work surface grommets are located along the patron edge toward each end.

| Catalog # | Description                       | Height" | Width" | Depth" | Price |
|-----------|-----------------------------------|---------|--------|--------|-------|
| CDT-3205  | Elementary height, standard depth | 32      | 36     | 27     |       |
| CDT-3205E | Elementary height, extended depth | 32      | 36     | 30     |       |
| CDT-3905  | Adult height, standard depth      | 39      | 36     | 27     |       |
| CDT-3905E | Adult height, extended depth      | 39      | 36     | 30     |       |



**Depressible Book Truck**

Each unit will have a depressible platform that will hold approximately 70 books. Each unit will have four 3" swivel casters mounted directly to a 3/4"T red oak veneer plywood bottom using 5/16" dia bolts with are received on the top size of plywood via T-nuts.

| Catalog # | Description       | Height" | Width" | Depth" | Price |
|-----------|-------------------|---------|--------|--------|-------|
| BT-D32    | Elementary height | 22      | 26     | 22     |       |
| BT-D39    | Adult height      | 29      | 26     | 22     |       |

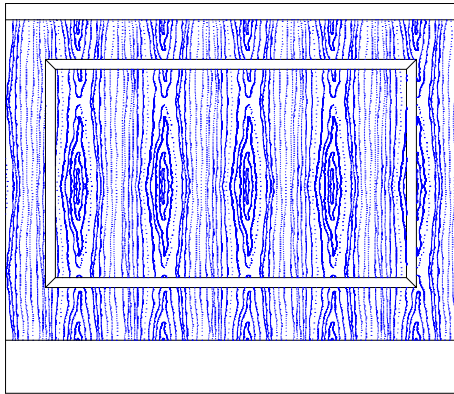
### Traditional Series Trim Packages

These trim packages for the Traditional Series give you a wide range of design and cost options.

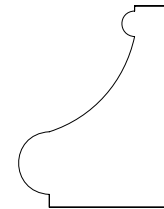
Ordering a trim package is simple.

1. Select the Traditional service units you desire in your circulation desk arrangement.
2. Determine the total number of single width or small corner units, multiply by selected package upcharge.
3. Determine the total number of double or larger corner units, multiply by selected package upcharge.
4. Add the total single and double widths to determine the total trim package upcharge.

NOTE: The Quantum and Regal packages are not available on radius corner desk or service units.

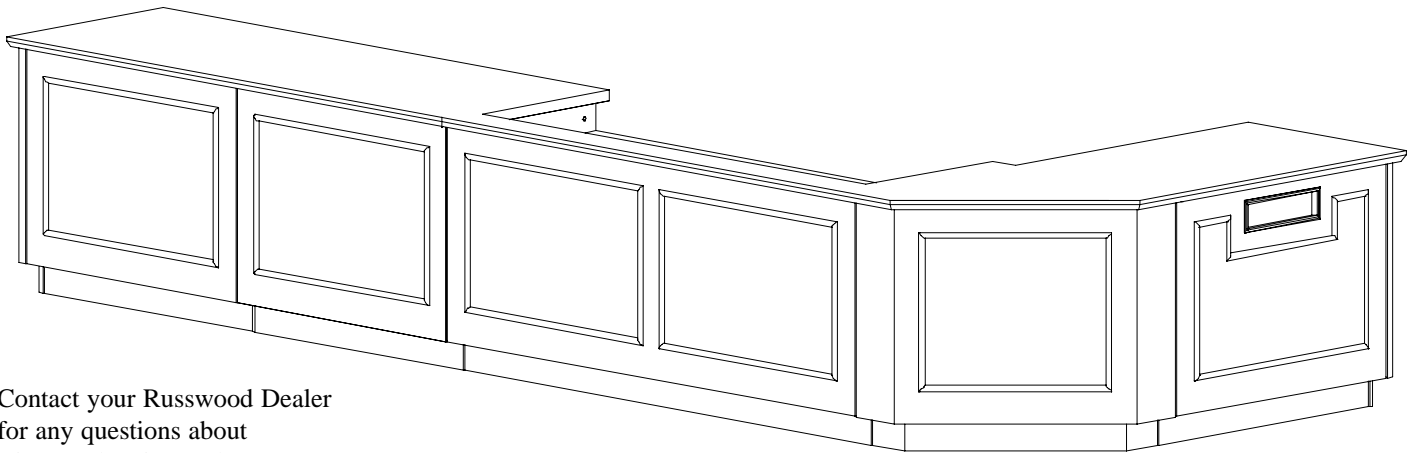


**Quadrum™**



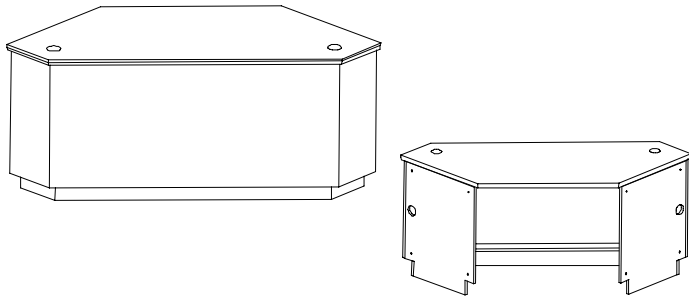
**Regal™**

The Quadrum and Regal packages can be applied to any flat modesty panel or end panel. The treatment forms a rectangle that is about 3" from all edges. The trim package comes with the choice of two moldings. The edge details of these two moldings can be seen below. On 36"L circulation desks the modesty panels receives one such rectangle while a 72"L unit would receive two such rectangles NOTE: The Quadrum and Regal packages are not available on radiused desk or corner units.



Contact your Ruswood Dealer  
for any questions about  
Circ. Desk Trim Packages.

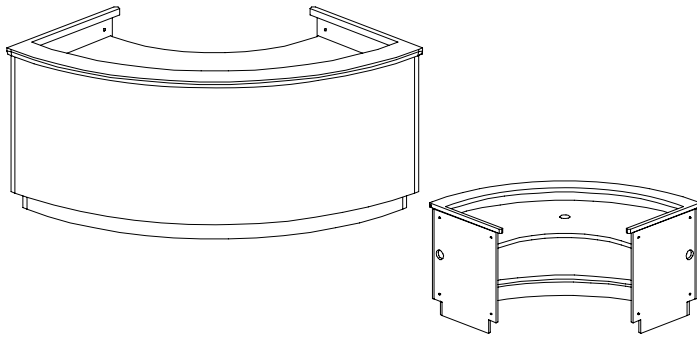
| Catalog # | Description                                 | Single W" unit upcharge                        | Double "W unit upcharge \$ |
|-----------|---|--|----------------------------|
| QDT-1     | Quadrum Trim Package for Traditional Series |  |                            |
| RGT-1     | Regal Trim Package for Traditional Series   |  |                            |
|           | <b>To figure upcharge:</b>                  | # Single units (x) upcharge per unit = _____   |                            |
|           |   | # Double units (x) upcharge per unit = + _____ |                            |
|           |   | Total upcharge \$ _____                        |                            |



**Corner Desk Unit**

Each unit is designed to provide a 90-degree transition in any desk arrangement, while providing a corner work space. The working width for staff-side accessibility will be 35"W. If requested, this unit is supplied with two (2) work surface grommets located at each end unless otherwise specified.

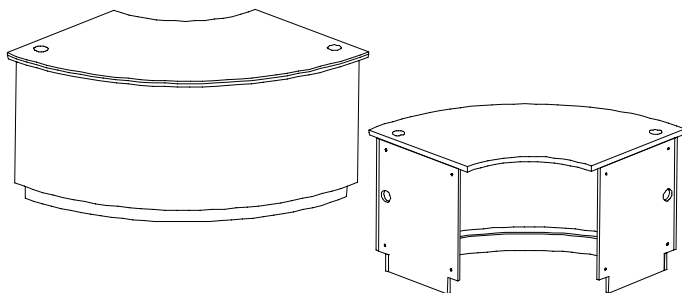
| Catalog # | Description                       | Height" | Width"   | Depth" | Price |
|-----------|-----------------------------------|---------|----------|--------|-------|
| CDT-3233  | Elementary height, standard depth | 32      | 72-5/8   | 27     |       |
| CDT-3233E | Elementary height, extended depth | 32      | 76-15/16 | 30     |       |
| CDT-3933  | Adult height, standard depth      | 39      | 72-5/8   | 27     |       |
| CDT-3933E | Adult height, extended depth      | 39      | 76-15/16 | 30     |       |



**90 Degree Patron Desk Unit**

Each unit is designed to provide a radiused 90-degree transition in any desk arrangement, while providing a corner work space with a recessed work surface and patron ledge. The recessed work surface will be mounted at 29"H using metal cleats. The working width for staff-side accessibility will be 35"W. This unit is supplied with two (2) work surface grommets located at each end unless otherwise specified.

| Catalog # | Description                       | Height" | Width"   | Depth" | Price |
|-----------|-----------------------------------|---------|----------|--------|-------|
| CDT-3250  | Elementary height, standard depth | 32      | 72-5/8   | 27     |       |
| CDT-3250E | Elementary height, extended depth | 32      | 76-15/16 | 30     |       |
| CDT-3950  | Adult height, standard depth      | 39      | 72-5/8   | 27     |       |
| CDT-3950E | Adult height, extended depth      | 39      | 76-15/16 | 30     |       |

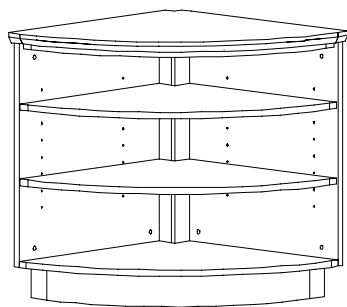


**90 Degree Desk Unit**

Each unit is designed to provide a radiused 90-degree transition in any desk arrangement, while providing a corner work space. The working width for staff-side accessibility will be 35"W. This unit is supplied with two (2) work surface grommets located at each end unless otherwise specified. If requested, work surface grommets are located along the patron edge toward each end.

| Catalog # | Description                       | Height" | Width"   | Depth" | Price |
|-----------|-----------------------------------|---------|----------|--------|-------|
| CDT-3251  | Elementary height, standard depth | 32      | 72-5/8   | 27     |       |
| CDT-3251E | Elementary height, extended depth | 32      | 76-15/16 | 30     |       |
| CDT-3951  | Adult height, standard depth      | 39      | 72-5/8   | 27     |       |
| CDT-3951E | Adult height, extended depth      | 39      | 76-15/16 | 30     |       |

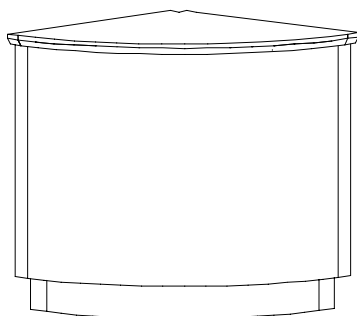
Circulation Desks



**Radiused 90 Degree Open Shelf Corner Unit**

Each unit will be triangular, with a radiused, open-face design and will be used to form a 90-degree transition in any desk arrangement. Adult height units will be supplied with two (2) adjustable shelves. Elementary height units will be supplied with one (1) adjustable shelf. Open shelf corner units do not provide for wire access. Shelves will be accessible from patron side of circulation desk.

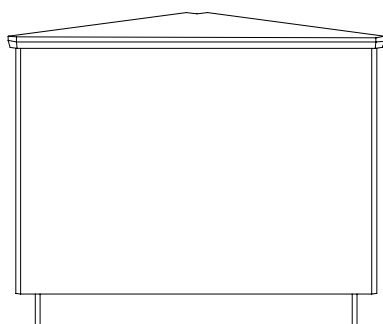
| Catalog # | Description                       | Height" | Width" | Depth" | Price |
|-----------|-----------------------------------|---------|--------|--------|-------|
| CDT-3226  | Elementary height, standard depth | 32      | 30     | 30     |       |
| CDT-3226E | Elementary height, extended depth | 32      | 33     | 33     |       |
| CDT-3926  | Adult height, standard depth      | 39      | 30     | 30     |       |
| CDT-3926E | Adult height, extended depth      | 39      | 33     | 33     |       |



**Radiused 90 Degree Closed Corner Unit**

Each unit will be triangular, with a radiused, closed-face design and will be used to form a 90-degree transition in any desk arrangement. This unit is supplied with an internal wire manager unless otherwise specified.

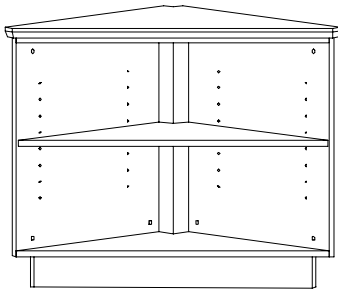
| Catalog # | Description                       | Height" | Width" | Depth" | Price |
|-----------|-----------------------------------|---------|--------|--------|-------|
| CDT-3228  | Elementary height, standard depth | 32      | 30     | 30     |       |
| CDT-3228E | Elementary height, extended depth | 32      | 33     | 33     |       |
| CDT-3928  | Adult height, standard depth      | 39      | 30     | 30     |       |
| CDT-3928E | Adult height, extended depth      | 39      | 33     | 33     |       |



**Flat Front 90 Degree Corner Unit**

Each unit will be triangular with a flat closed front design and will be used to form a 90-degree transition in any desk arrangement. This unit is supplied with an internal wire manager unless otherwise specified.

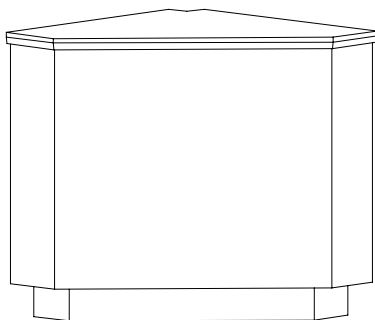
| Catalog # | Description                       | Height" | Width" | Depth" | Price |
|-----------|-----------------------------------|---------|--------|--------|-------|
| CDT-3252  | Elementary height, standard depth | 32      | 30     | 30     |       |
| CDT-3252E | Elementary height, extended depth | 32      | 33     | 33     |       |
| CDT-3952  | Adult height, standard depth      | 39      | 30     | 30     |       |
| CDT-3952E | Adult height, extended depth      | 39      | 33     | 33     |       |



**Flat Front Open Shelf 90 Degree Corner Unit**

Each unit will be triangular with an flat open-front design and will be used to form a 90-degree transition in any desk arrangement. Each unit will have one (1) fixed base shelf and adjustable shelves according to unit height. Adult-height units will be supplied with two (2) adjustable shelves and elementary-height units will be supplied with one (1) adjustable shelf. Shelves will be accessible from patron side of circulation desk. Open shelf corner units do not provide for wire access.

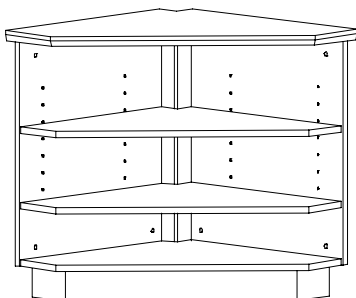
| Catalog # | Description                       | Height" | Width" | Depth" | Price |
|-----------|-----------------------------------|---------|--------|--------|-------|
| CDT-3223  | Elementary height, standard depth | 32      | 30     | 30     |       |
| CDT-3223E | Elementary height, extended depth | 32      | 33     | 33     |       |
| CDT-3923  | Adult height, standard depth      | 39      | 30     | 30     |       |
| CDT-3923E | Adult height, extended depth      | 39      | 33     | 33     |       |



**90 Degree Closed Corner Unit**

Each unit will be triangular with an angled, closed-face design and will be used to form a 90-degree transition in any desk arrangement. This unit is supplied with end panel grommets and internal wire manager unless otherwise specified.

| Catalog # | Description                       | Height" | Width" | Depth" | Price |
|-----------|-----------------------------------|---------|--------|--------|-------|
| CDT-3216  | Elementary height, standard depth | 32      | 30     | 30     |       |
| CDT-3216E | Elementary height, extended depth | 32      | 33     | 33     |       |
| CDT-3916  | Adult height, standard depth      | 39      | 30     | 30     |       |
| CDT-3916E | Adult height, extended depth      | 39      | 33     | 33     |       |

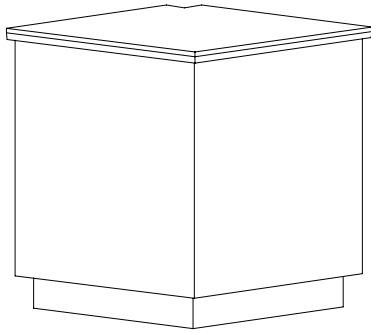


**90 Degree Corner Open Shelf Unit**

Each unit will be triangular with an open-front design and will be used to form a 90-degree transition in any desk arrangement. Each unit will have one (1) fixed base shelf and adjustable shelves according to unit height. Adult-height units will be supplied with two (2) adjustable shelves and elementary-height units will be supplied with one (1) adjustable shelf. Shelves will be accessible from patron side of circulation desk.

| Catalog # | Description                       | Height" | Width" | Depth" | Price |
|-----------|-----------------------------------|---------|--------|--------|-------|
| CDT-3217  | Elementary height, standard depth | 32      | 30     | 30     |       |
| CDT-3217E | Elementary height, extended depth | 32      | 33     | 33     |       |
| CDT-3917  | Adult height, standard depth      | 39      | 30     | 30     |       |
| CDT-3917E | Adult height, extended depth      | 39      | 33     | 33     |       |

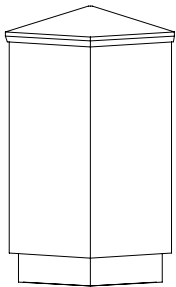
Circulation Desks



**Closed Square Corner Unit**

Each unit will be square, with a closed-face design and will be used to form a 90-degree transition in any desk arrangement. This unit is supplied an internal wire manager unless otherwise specified.

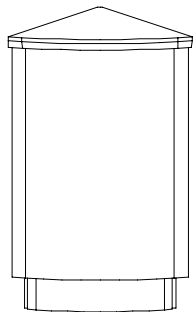
| Catalog # | Description                       | Height" | Width" | Depth" | Price |
|-----------|-----------------------------------|---------|--------|--------|-------|
| CDT-3224  | Elementary height, standard depth | 32      | 30     | 30     |       |
| CDT-3224E | Elementary height, extended depth | 32      | 33     | 33     |       |
| CDT-3924  | Adult height, standard depth      | 39      | 30     | 30     |       |
| CDT-3924E | Adult height, extended depth      | 39      | 33     | 33     |       |



**Closed 45 Degree Corner Unit**

Each unit will be triangular, with a closed-face design and will be used to form a 45-degree transition in any desk arrangement. This unit is supplied with an internal wire manager unless otherwise specified.

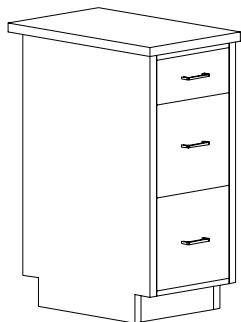
| Catalog # | Description                       | Height" | Width"  | Depth" | Price |
|-----------|-----------------------------------|---------|---------|--------|-------|
| CDT-3225  | Elementary height, standard depth | 32      | 21-3/16 | 30     |       |
| CDT-3225E | Elementary height, extended depth | 32      | 23-1/2  | 33     |       |
| CDT-3925  | Adult height, standard depth      | 39      | 21-3/16 | 30     |       |
| CDT-3925E | Adult height, extended depth      | 39      | 23-1/2  | 33     |       |



**Radiused 45 Degree Closed Corner Unit**

Each unit will be triangular, with a radiused, closed-face design and will be used to form a 45-degree transition in any desk arrangement. This unit is supplied with an internal wire manager unless otherwise specified.

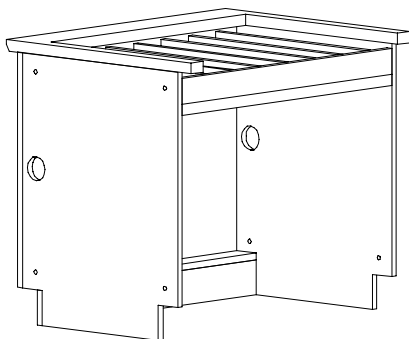
| Catalog # | Description                       | Height" | Width"  | Depth" | Price |
|-----------|-----------------------------------|---------|---------|--------|-------|
| CDT-3227  | Elementary height, standard depth | 32      | 21-3/16 | 30     |       |
| CDT-3227E | Elementary height, extended depth | 32      | 23-1/2  | 33     |       |
| CDT-3927  | Adult height, standard depth      | 39      | 21-3/16 | 30     |       |
| CDT-3927E | Adult height, extended depth      | 39      | 23-1/2  | 33     |       |



**Half-Width File Drawer Unit  
(free-standing, not a pedestal)**

Adult-height units will have two (2) file drawers measuring 14-7/8"W x 18"D x 10-1/2"H and one (1) box drawer 14-7/8" x 18"L x 5-1/4"H. Elementary-height units will have one (1) file drawer and one (1) box drawer. This unit is supplied with a front-mounted drawer gang-lock unless otherwise specified.

| Catalog # | Description                       | Height" | Width" | Depth" | Price |
|-----------|-----------------------------------|---------|--------|--------|-------|
| CDT-3219  | Elementary height, standard depth | 32      | 17     | 27     |       |
| CDT-3219E | Elementary height, extended depth | 32      | 17     | 30     |       |
| CDT-3919  | Adult height, standard depth      | 39      | 17     | 27     |       |
| CDT-3919E | Adult height, extended depth      | 39      | 17     | 30     |       |

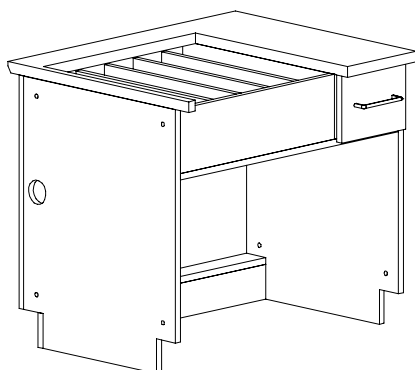


**Discharging Unit**

Each unit will have a full-width well measuring 34-1/2"W x 8-3/4"H x 24"D (well opening in continuous top measures 32"W x 22"D) to accommodate eight (8) removable index card trays. A 3/4"T x 34-1/2"W well front will be provided to prevent accidental dislodgment of index trays.

Extended depth units will have a full-width well measuring 34-1/2"W x 8-3/4"H x 27"D. (well opening in continuous top measures 32"W x 25"D)

| Catalog # | Description                       | Height" | Width" | Depth" | Price |
|-----------|-----------------------------------|---------|--------|--------|-------|
| CDT-3206  | Elementary height, standard depth | 32      | 36     | 27     |       |
| CDT-3206E | Elementary height, standard depth | 32      | 36     | 30     |       |
| CDT-3906  | Adult height, standard depth      | 39      | 36     | 27     |       |
| CDT-3906E | Adult height, extended depth      | 39      | 36     | 30     |       |

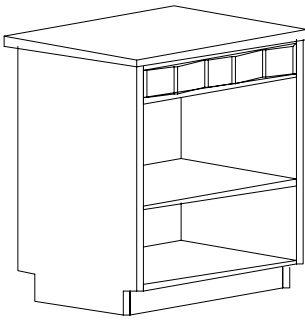


**Discharge and Drawer Unit**

Each unit will have a well measuring 24-1/8"W x 8-3/4"H x 24"D (well opening in continuous top measures 21-5/8"W x 22"D) to accommodate five (5) removable index card trays and a 7-5/8"W x 18"L box drawer for multiuse. When specified, a card slot will be recessed into the top over the drawer to be used for index card collection. This unit is supplied with a drawer lock unless otherwise specified. Extended depth units will have a well measuring 24-1/8"W x 8-3/4"H x 27"D. (Well opening in continuous top measures 21-5/8"W x 25"D)

| Catalog # | Description                       | Height" | Width" | Depth" | Price |
|-----------|-----------------------------------|---------|--------|--------|-------|
| CDT-3204  | Elementary height, standard depth | 32      | 36     | 27     |       |
| CDT-3204E | Elementary height, extended depth | 32      | 36     | 30     |       |
| CDT-3904  | Adult height, standard depth      | 39      | 36     | 27     |       |
| CDT-3904E | Adult height, extended depth      | 39      | 36     | 30     |       |

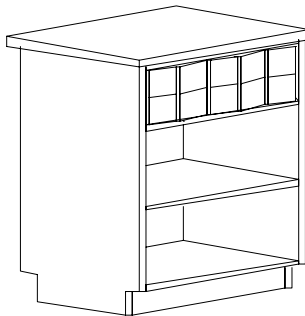
Circulation Desks



**Card File Unit (5 trays)**

Unit has an open shelf with a 5 tray index card cabinet. Unit will be supplied with one (1) base shelf measuring 34-1/2"W x 23-15/16"D which is removable to provide wiring access for floor receptacles. Adjustable shelves will measure 34-1/2"W x 22"D, which provides a 3/4"D wiring access at the rear of the shelf, so as to not impede the shelf's free-adjustment. Adult-height units will be supplied with one (1) adjustable shelf, elementary-height units will not be supplied with an adjustable shelf.

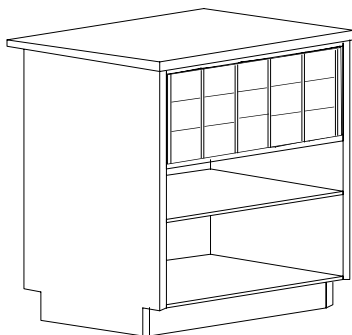
| Catalog # | Description                       | Height" | Width" | Depth" | Price |
|-----------|-----------------------------------|---------|--------|--------|-------|
| CDT-3213  | Elementary height, standard depth | 32      | 36     | 27     |       |
| CDT-3213E | Elementary height, extended depth | 32      | 36     | 30     |       |
| CDT-3913  | Adult height, standard depth      | 39      | 36     | 27     |       |
| CDT-3913E | Adult height, extended depth      | 39      | 36     | 30     |       |



**Card File Unit (10 trays)**

Unit has an open shelf with a 10 tray index card cabinet. Unit will be supplied with one (1) base shelf measuring 34-1/2"W x 23-15/16"D which is removable to provide wiring access for floor receptacles. Adjustable shelves will measure 34-1/2"W x 22"D, which provides a 3/4"D wiring access at the rear of the shelf, so as to not impede the shelf's free-adjustment. Adult-height units will be supplied with one (1) adjustable shelf, elementary-height units will not be supplied with an adjustable shelf.

| Catalog # | Description                       | Height" | Width" | Depth" | Price |
|-----------|-----------------------------------|---------|--------|--------|-------|
| CDT-3212  | Elementary height, standard depth | 32      | 36     | 27     |       |
| CDT-3212E | Elementary height, extended depth | 32      | 36     | 30     |       |
| CDT-3912  | Adult height, standard depth      | 39      | 36     | 27     |       |
| CDT-3912E | Adult height, extended depth      | 39      | 36     | 30     |       |

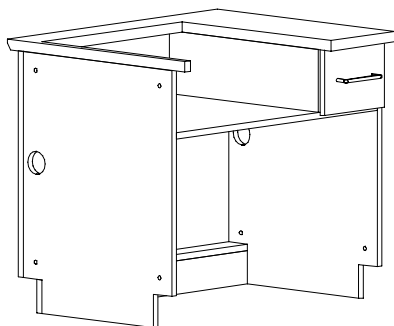


**Card File Unit (15 trays)**

Unit has an open shelf with a 15 tray index card cabinet. Unit will be supplied with one (1) base shelf measuring 34-1/2"W x 23-15/16"D which is removable to provide wiring access for floor receptacles. Adjustable shelves will measure 34-1/2"W x 22"D, which provides a 3/4"D wiring access at the rear of the shelf, so as to not impede the shelf's free-adjustment. Adult-height units will be supplied with one (1) adjustable shelf, elementary-height units will not be supplied with an adjustable shelf.

| Catalog # | Description                       | Height" | Width" | Depth" | Price |
|-----------|-----------------------------------|---------|--------|--------|-------|
| CDT-3211  | Elementary height, standard depth | 32      | 36     | 27     |       |
| CDT-3211E | Elementary height, extended depth | 32      | 36     | 30     |       |
| CDT-3911  | Adult height, standard depth      | 39      | 36     | 27     |       |
| CDT-3911E | Adult height, extended depth      | 39      | 36     | 30     |       |

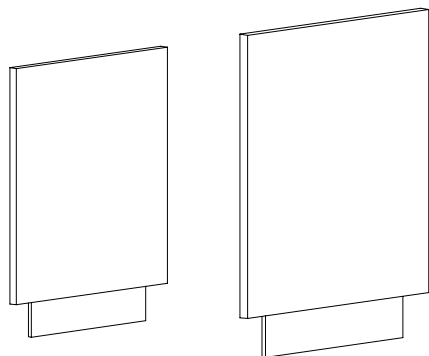




**Machine Well Unit**

Well measures 24-1/8"W x 8-3/4"H x 24"D (well opening in continuous top measures 21-5/8"W x 22"D) Box drawer measures 10-3/16"W x 18"L. When specified, a card slot will be recessed into the top over the drawer to be used for index card collection. This unit is supplied with a work surface grommet, centered along the well length and a drawer lock unless otherwise specified. Extended depth units will have a well measuring 24-1/8"W x 8-3/4"H x 27"D. (well opening in continuous top measures 21-5/8"W x 25"D)

| Catalog # | Description                       | Height" | Width" | Depth" | Price |
|-----------|-----------------------------------|---------|--------|--------|-------|
| CDT-3201  | Elementary height, standard depth | 32      | 36     | 27     |       |
| CDT-3201E | Elementary height, extended depth | 32      | 36     | 30     |       |
| CDT-3901  | Adult height, standard depth      | 39      | 36     | 27     |       |
| CDT-3901E | Adult height, extended depth      | 39      | 36     | 30     |       |



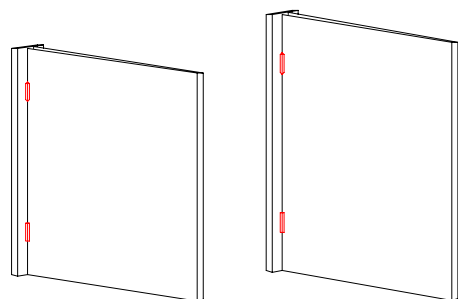
**Finished End Panel**

Each panel will be constructed using banded, matching veneer-core plywood. Each panel will have a recessed black laminate toe kick space to help provide continuation of the continuous toe kick found on the patron side of the desk. One pair is needed per each continuous-unit assembly.

**All fully assembled circulation desks** will need two (2) finished end panels unless placement is permanently next to a wall or other structure that hides the unfinished side of the service unit on the end.

**ADA Desk Note:** When the adult version is used on one end of the circulation desk, an elementary finished end panel should be ordered for that end.

| Catalog # | Description                       | Height" | Thickness" | Width" | Price |
|-----------|-----------------------------------|---------|------------|--------|-------|
| CDT-3218  | Elementary height, standard depth | 32      | 1          | 24-3/4 |       |
| CDT-3218E | Elementary height, extended depth | 32      | 1          | 27-3/4 |       |
| CDT-3918  | Adult height, standard depth      | 39      | 1          | 24-3/4 |       |
| CDT-3918E | Adult height, extended depth      | 39      | 1          | 27-3/4 |       |

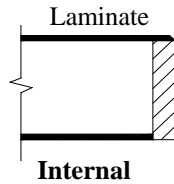


**Swinging Gate**

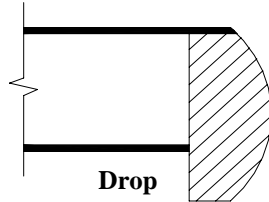
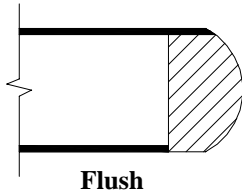
When specified, gates will be mounted to walls or finished end panels on the circulation desk. Gates will be constructed using banded, matching veneer-core plywood in widths of up to 36". Single-action gates are supplied with stop moulding. **The desired width of the gate and hinge type (single or double action) MUST BE quoted in advance and specified on the order**

| Catalog # | Description                            | Height" | Width"  | Thickness" | Price          |
|-----------|--|---------|---------|------------|----------------|
| CDT-1G 32 | Elementary height, single action hinge | 32      | Specify | 1          | based on width |
| CDT-2G 32 | Elementary height, double action hinge | 32      | Specify | 1          | based on width |
| CDT-1G 39 | Adult height, single action hinge      | 39      | Specify | 1          | based on width |
| CDT-2G 39 | Adult height, double action hinge      | 39      | Specify | 1          | based on width |

**Planning For & Ordering Edgeband for Traditional Series**



Staff side of the work surface comes with a 1/4" internal solid red oak edgeband.

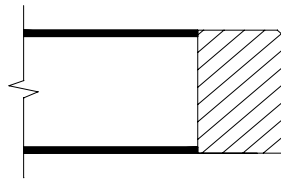


When choosing an edgeband for the Patron and terminating ends of the work surface you can either have the edgeband placed flush with the bottom of the top or dropped below the bottom.

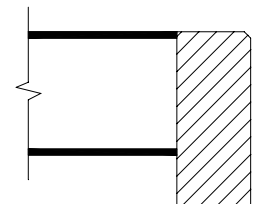
Worksurfaces will be constructed with a 3/4" T solid red oak edgeband and can be ordered with any one of a variety of internal or external edgeband details.

See below for edge details for the Traditional Series.

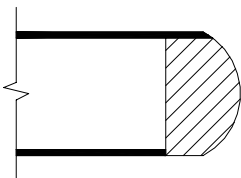
**Edge Details  
for  
Traditional Series**



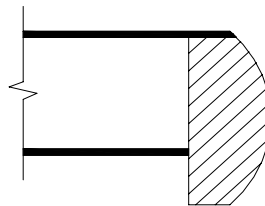
1 1/4" thick top (External)  
**Montana Flush**



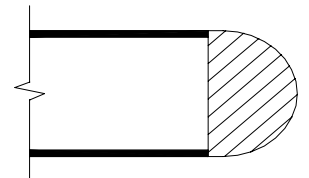
1 1/4" thick top (External)  
**Montana Drop**



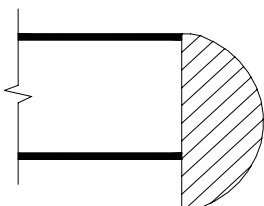
1 1/4" thick top (Internal)  
**Shallow Bullnose Flush**



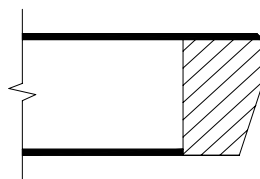
1 1/4" thick top (Internal)  
**Shallow Bullnose Drop**



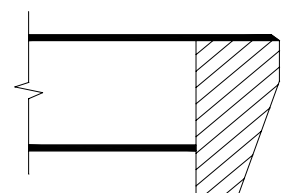
1 1/4" thick top (External)  
**Bullnose Flush**



1 1/4" thick top (External)  
**Bullnose Drop**



1 1/4" thick top (Internal)  
**Premier Flush**



1 1/4" thick top (Internal)  
**Premier Drop**

### GENERAL SPECIFICATIONS

The *Ultima Series* circulation desk is designed to provide modularity to further your investment dollars, while providing the look and functionality of a continuous top circulation desk. The units are bolted together to ensure stability, but can be unbolted and rearranged at will, and then rebolted in the new pattern. Each end of the circulation desk is terminated with a finished end panel.

### CONSTRUCTION AND MATERIALS

Each desk unit will be constructed from 1" thick veneer core plywood end panels with plain-slice faced veneers, and 3/4" thick veneer core plywood with rift-cut faced veneers. Front panels will be matched for color and grain characteristics to provide uniformity across the entire desk arrangement.

Each unit is constructed with a 6" high x 3/4" deep toe space which is covered with flat black laminate on both sides. All doors, adjustable shelves, and drawer fronts will be constructed from 3/4" thick veneer core, plain-sliced. All visible panel edges will be banded with 1/4" thick eased matching hardwood.

Shelves will be on no greater than 2" centers supported by 1/4" shelf pins. All edges will be banded with 1/4" thick eased matching hardwood. Individual tops will be 1-1/4" thick and will be constructed from 1-1/8" thick particleboard with .050" high-pressure laminate on the face with .020" backer sheet on the underside of the top. Patron side is banded with 3/4" solid red oak with choice of edgeband. SEE PAGE 67 FOR EDGE BAND DETAILS. All remaining edges will be internally banded with 1/4" thick solid red oak.

Each drawer box will be of English dovetail design and will be constructed using 1/2" thick solid northern grown red oak with a 1/4" thick veneer core plywood bottom. Box drawers will be 14-7/8"W x 18"D x 5-1/4"H.

File drawers will be 14-7/8"W x 18"D x 10-1/2"H.  
Full width drawers will be 31-1/2"W x 18"D x 5-1/4"H.

### HARDWARE

All drawers will be constructed to an overall depth of 18" and will be mounted on 18" full-extension, ball bearing glides with a load rating of 100 pounds per pair. On a given desk arrangement, all locks will be keyed identically. All doors will be hung with 110-degree opening, self-closing Salice hinges (180-degree available if specified) and Salice Smove (tm) door cushions.

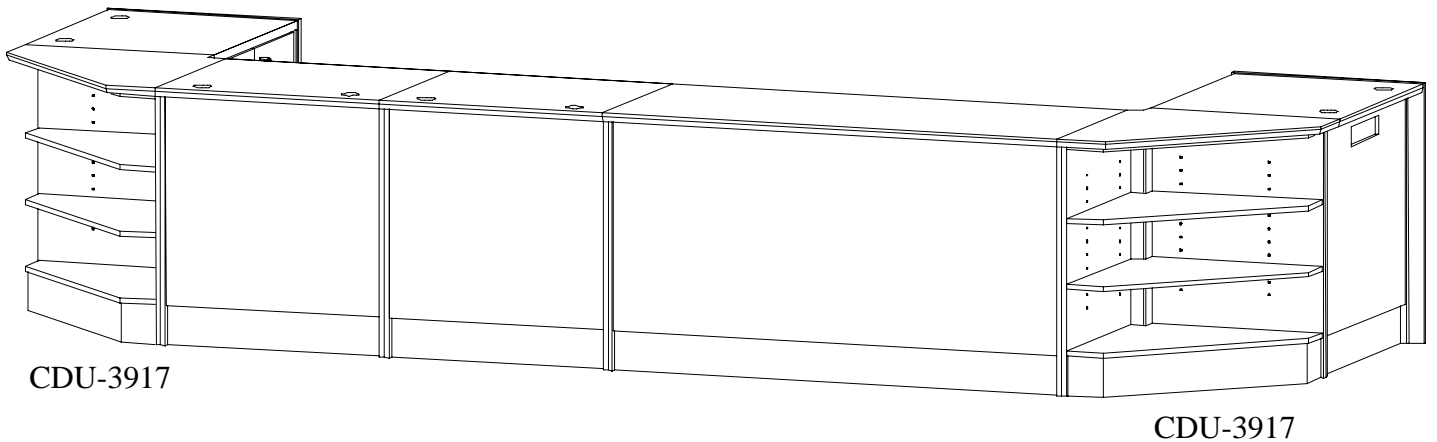
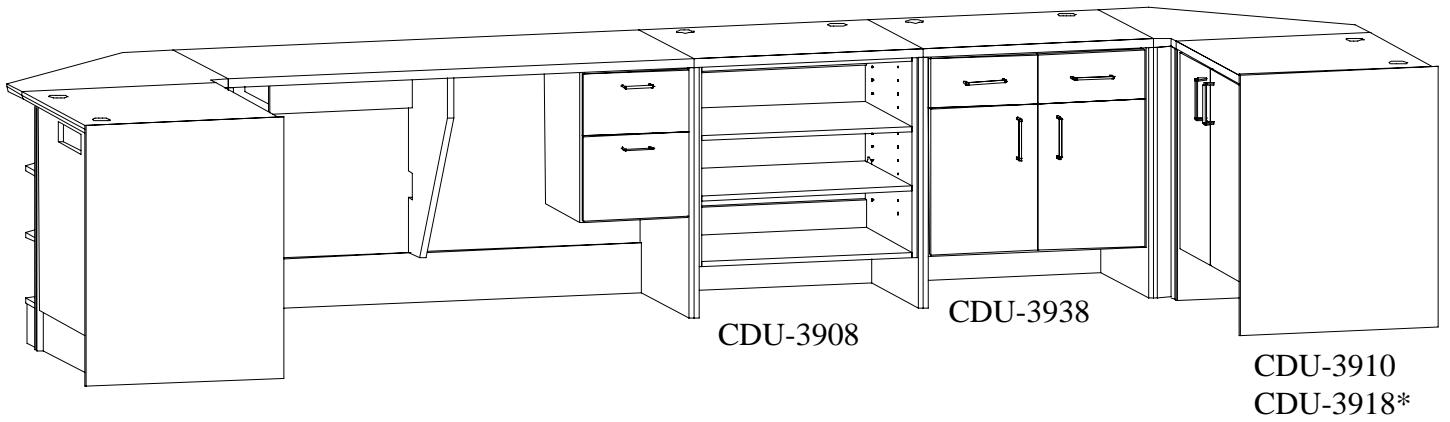
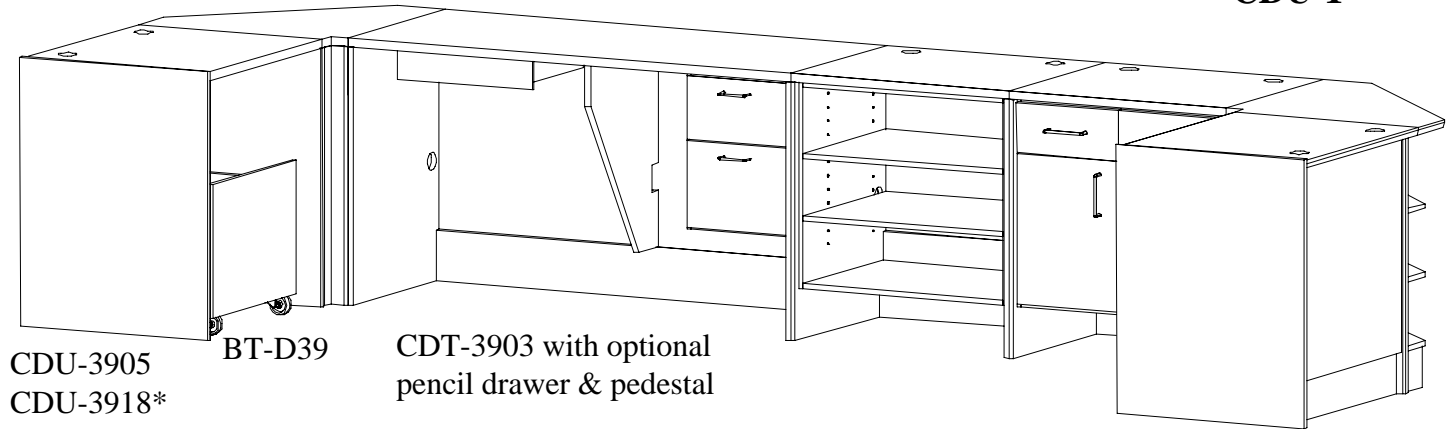
All door units will be provided with locks. Pulls for both doors and drawers will be satin chrome 5/16" diameter wire pulls. Pull substitutions may be made at customer's request [an additional cost may occur].

All units will be supplied with 3" grommets through the work surface and end panels with J-channel wire manager mounted under the surface on the inside of the front panel.

**FINISH:** See page 5 for finish specifications.

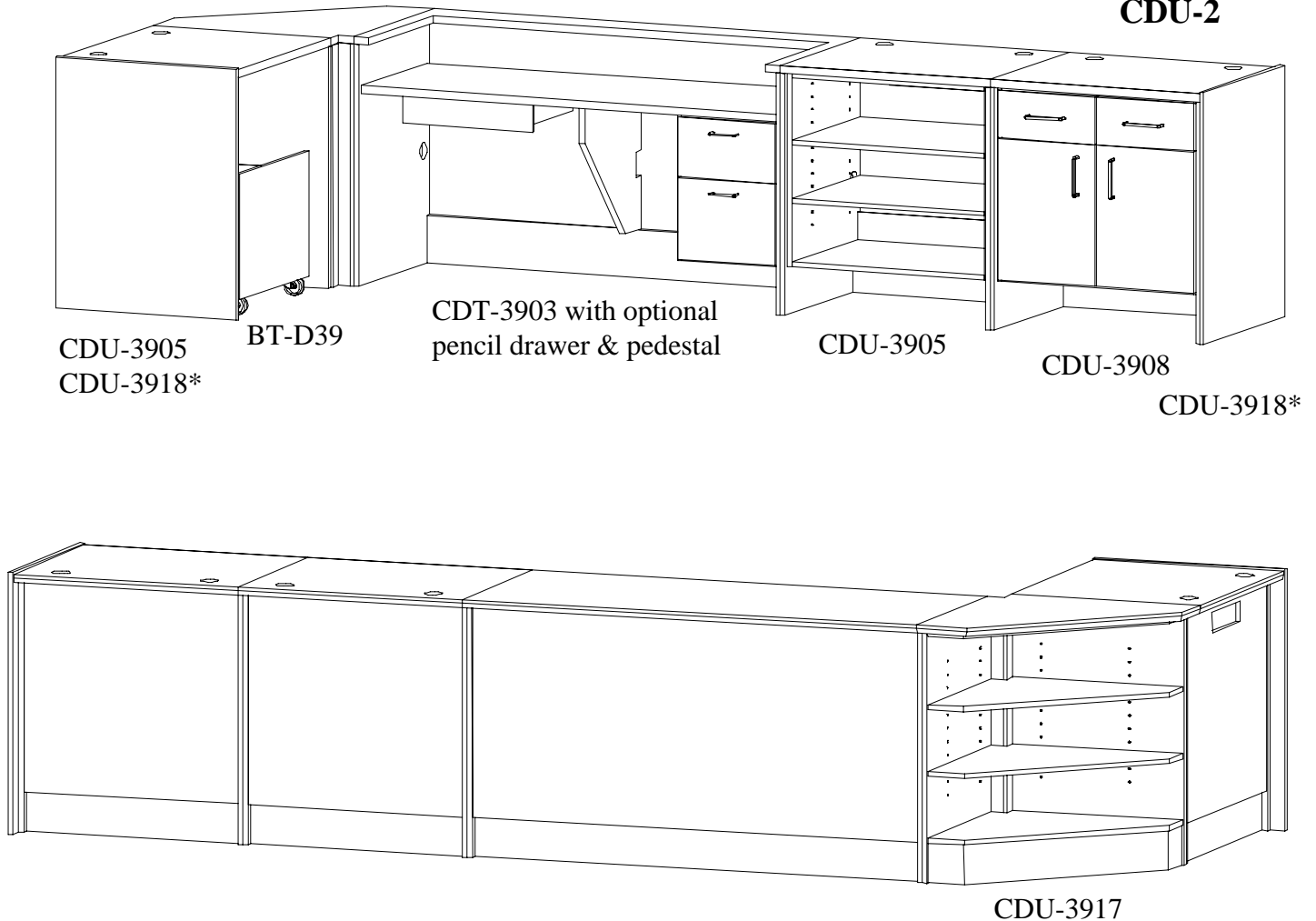
Visit our website at [www.russwood.net](http://www.russwood.net)

**CDU-1**



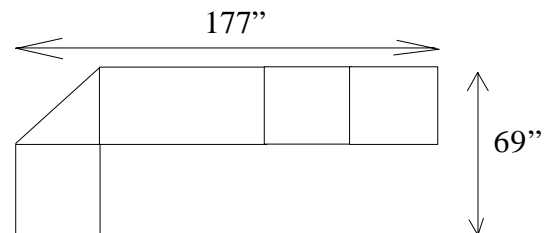
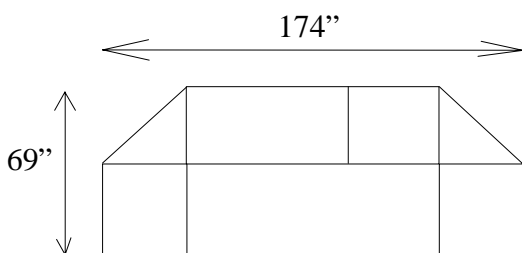
\*finished end panel

**CDU-2**



The *Ultima Series* circulation desks offers a continuous work surface by constructing each service unit with its own top which allows for future rearrangement.

The service units shown are featured as our most popular units in this series. Nearly every circulation desk we've produced includes the service units shown. These popular units are a book return with depressible truck, a corner unit, a double patron unit with an optional pencil drawer and pedestal, an open shelf unit, and a cupboard unit. When arranged the desks form either in a "U" shape or a "L" shape depending on the total number of service units ordered. If you desire a service unit that is not shown here then you can choose from the many others that follow.

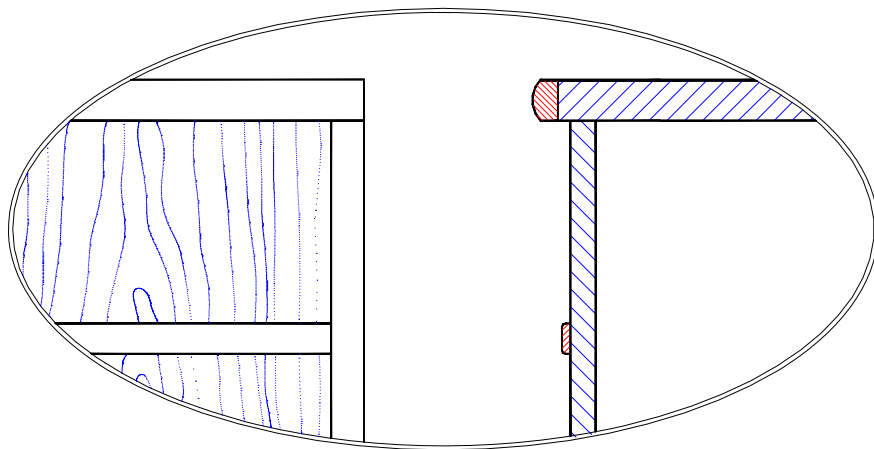


### Ultima Series Trim Packages

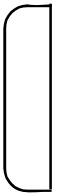
Ordering a trim package is simple.

1. Select the Ultima service units you desire in your circulation desk arrangement.
2. Determine the total number of single width or small corner units, multiply by selected package upcharge.
3. Determine the total number of double or larger corner units, multiply by selected package upcharge.
4. Add the total single and double widths to determine the total trim package upcharge.

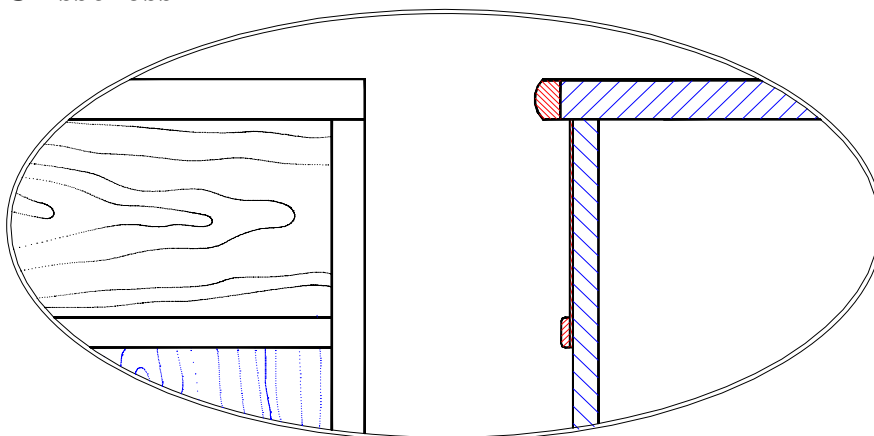
#### Slimline™



The Slimline package adds a solid red oak trim molding which is placed on the modesty (patron) panel and captured by the end panel. The molding is located 6" inches from the top. The molding is 15/16"W x 1/4" thick with 1/8" radius on the edges. Trim will be finished to match.

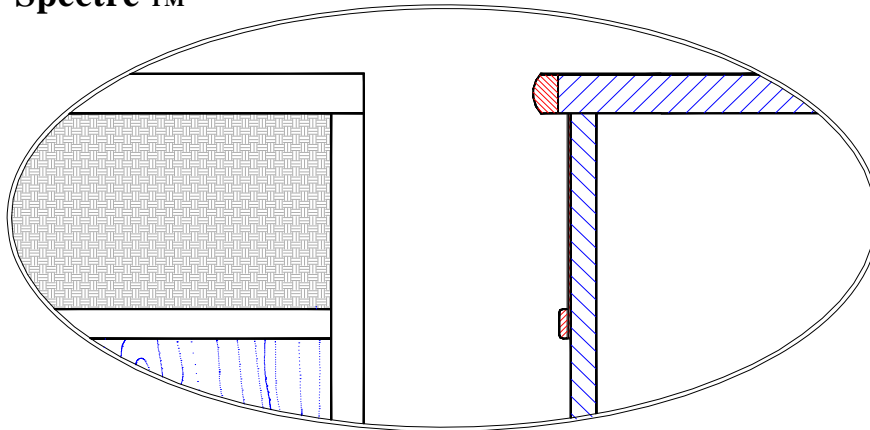


#### Crisscross™

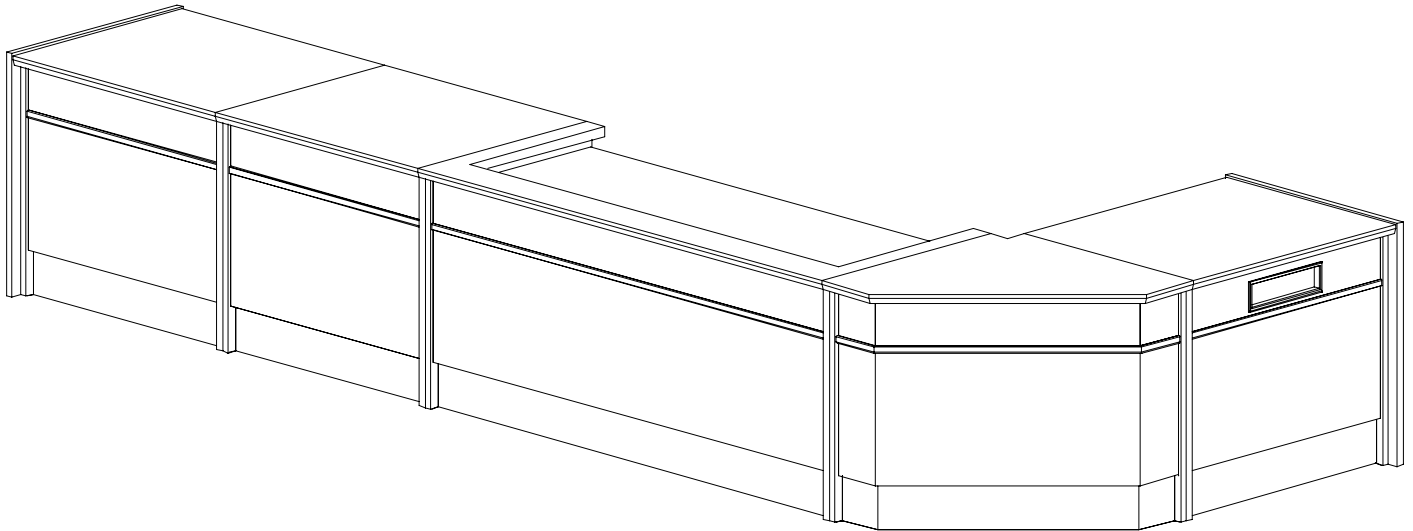


The Crisscross package adds an accent of 6"W red oak veneer placed horizontally to the modesty (patron) panel and captured by the end panels. Solid red oak molding trim is placed over the veneer seam. The trim molding is 15/16"W x 1/4" thick with 1/8" radius on the edges. Veneer and trim will be finished to match.

**Spectre™**



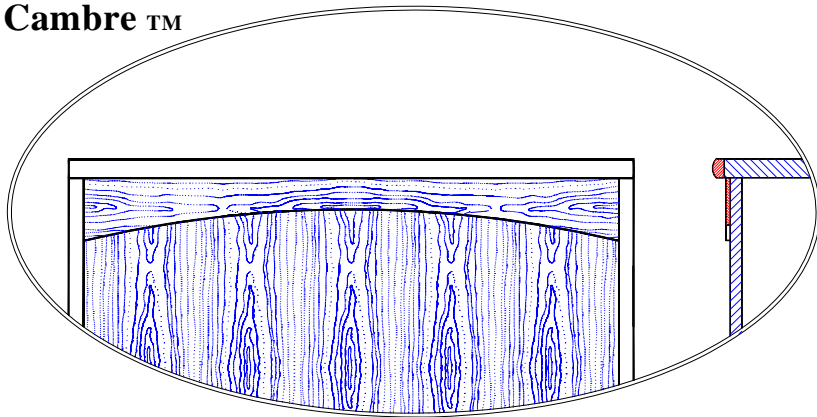
The Spectre package adds an accent of 6"W HPL laminate of your choice to the modesty (patron) panel and captured by the end panels. The trim molding is 15/16"W x 1/4" thick with 1/8" radius on the edges. Trim will be finished to match.



| Catalog # | Description                               | Single W" unit upcharge \$                     | Double W" unit upcharge \$ |
|-----------|---|--|----------------------------|
| SLU-1     | Slimline Trim Package for Ultima Series   |  |                            |
| CCU-1     | Crisscross Trim Package for Ultima Series |  |                            |
| SPU-1     | Spectre Trim Package for Ultima Series    |  |                            |
|           | <b>To figure upcharge:</b>                | # Single units (x) upcharge per unit =         |                            |
|           |   | # Double units (x) upcharge per unit = + _____ |                            |
|           |   | Total upcharge \$                              |                            |

Contact your Russwood Dealer for any questions about Circ. Desk Trim Packages.

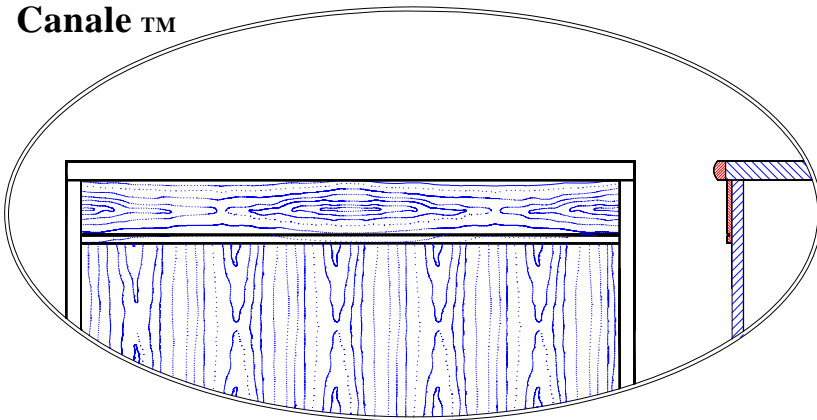
**Cambre**™



The Cambre package adds a 4"W x 1/4"T solid red oak trim with an arch on the bottom edges. The trim is added at the top of the modesty (patron) panel and is captured by the end panels. Arched trim will finished to match.

NOTE: This package is not available on radiused desk or corner units.

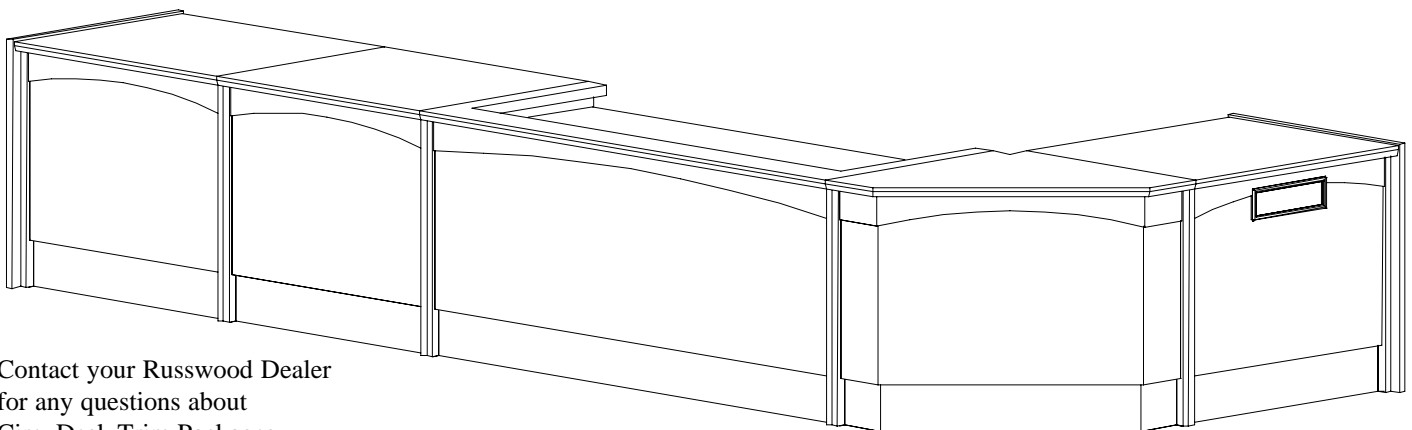
**Canale**™



The Canale package adds a 4"W x 1/4"T solid red oak trim with a 1/8" x 1/8" reveal located 3/4" from the bottom of the trim. Reveal will be finished flat black. The trim is added at the top of the modesty (patron) panel and is captured by the end panels.

Trim will be finished to match.

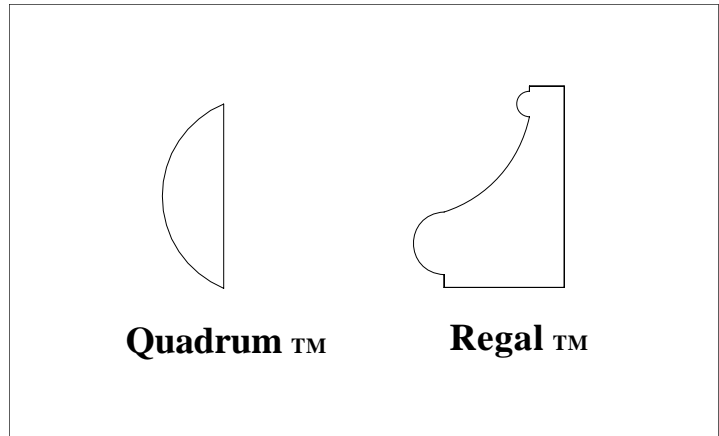
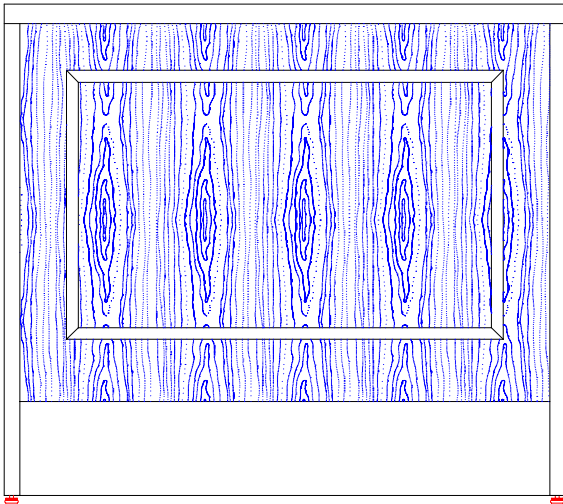
NOTE: This package is not available on radiused desk or corner units.



Contact your Ruswood Dealer for any questions about Circ. Desk Trim Packages.

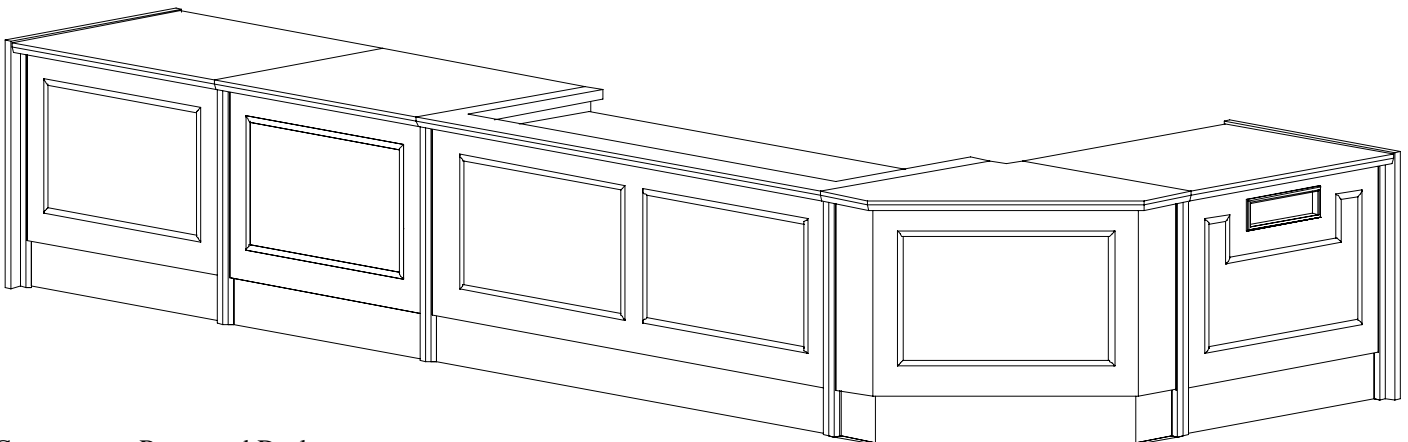
| Catalog #                  | Description                           | Single W" unit upcharge \$                     | Double"W unit upcharge \$ |
|----------------------------|---------------------------------------|--|---------------------------|
| CBU-1                      | Cambre Trim Package for Ultima Series |  |                           |
| CLU-1                      | Canale Trim Package for Ultima Series |  |                           |
| <b>To figure upcharge:</b> |                                       | # Single units (x) upcharge per unit =         |                           |
|                            |                                       | # Double units (x) upcharge per unit = + _____ |                           |
|                            |                                       | Total upcharge \$                              |                           |





The Quadrum and Regal packages can be applied to any flat modesty panel or end panel. The treatment forms a rectangle that is about 3" from all edges. The trim package comes with the choice of two moldings. The edge details of these two moldings can be seen below. This treatment can be applied to the modesty or end panel of any Elite Series unit and can be applied to Traditional, Ultima, and Moduflex Circulation Desk. Note: this treatment is not available on radius units. On 36" circulation desks the modesty panels receives one such rectangle while a 72" unit would receive two such rectangles

NOTE: The Quadrum and Regal packages are not available on radiused desk or corner units.



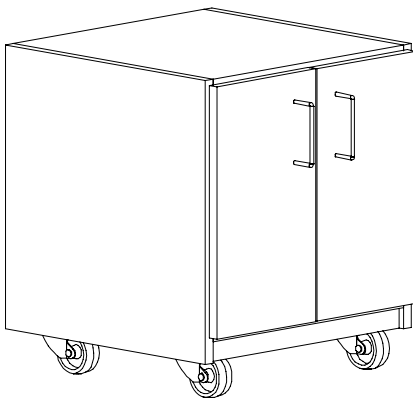
Contact your Russwood Dealer  
for any questions about  
Circ. Desk Trim Packages.

| Catalog # | Description                            | Single W" unit upcharge \$                     | Double"W unit upcharge \$ |
|-----------|--|--|---------------------------|
| QDU-1     | Quadrum Trim Package for Ultima Series |  |                           |
| RGU-1     | Regal Trim Package for Ultima Series   |  |                           |
|           | <b>To figure upcharge:</b>             | # Single units (x) upcharge per unit =         |                           |
|           |  | # Double units (x) upcharge per unit = + _____ |                           |
|           |  | Total upcharge \$                              |                           |

## For the ultimate in versatility...

Combine any of our desk units in this series with any of the following mobile units.

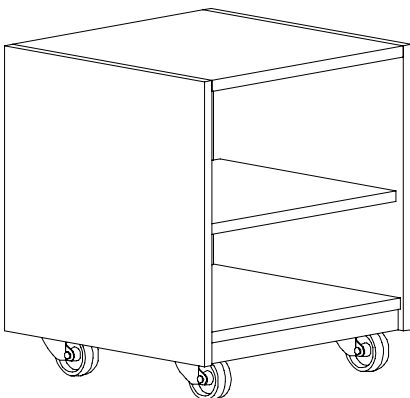
Combining mobile units and desk units allows you to change the function of any of your circulation desk work stations at a moment's notice. Units with permanent features can be used with desks that use mobile units.



### Mobile Cupboard Unit

This unit is supplied with two (2) shelves for the adult height and one (1) shelf for the elementary height. The back is supplied with grommets for wire management.

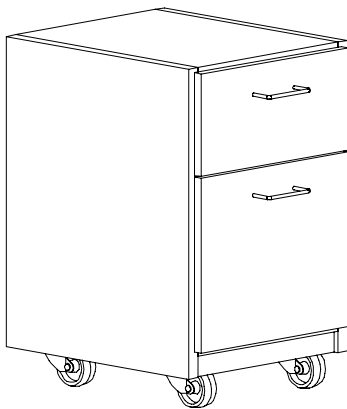
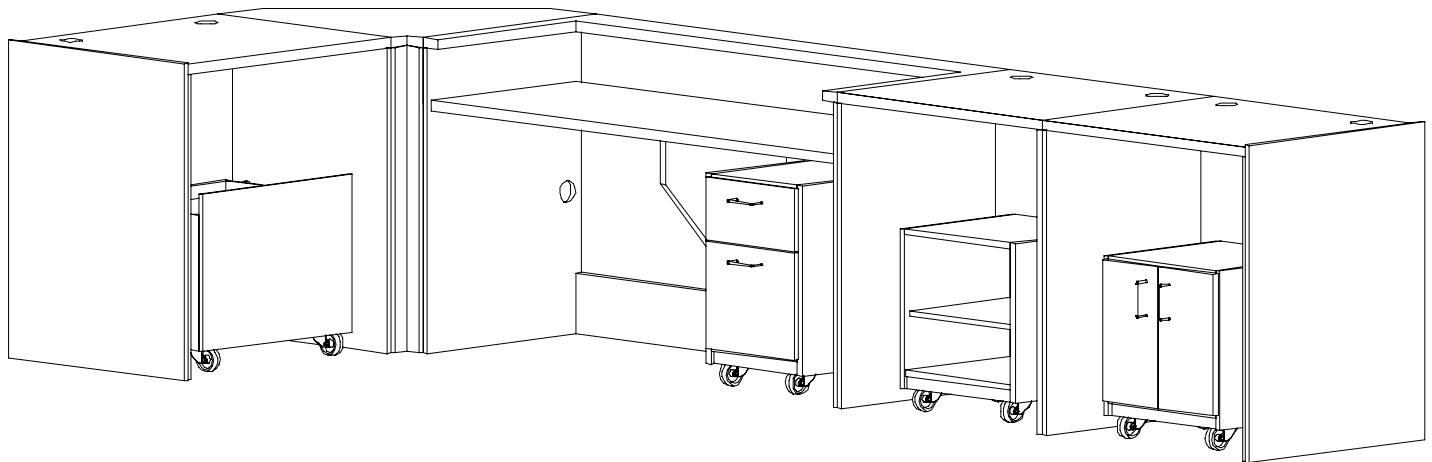
| Catalog # | Description       | Height" | Width" | Depth" | Price |
|-----------|-------------------|---------|--------|--------|-------|
| A-27      | Elementary height | 26      | 25     | 20     |       |
| A-28      | Adult height      | 36      | 25     | 20     |       |



### Mobile Open Shelf Unit

This unit is supplied with two (2) shelves for the adult height and one (1) shelf for the elementary height. The back is supplied with grommets for wire management.

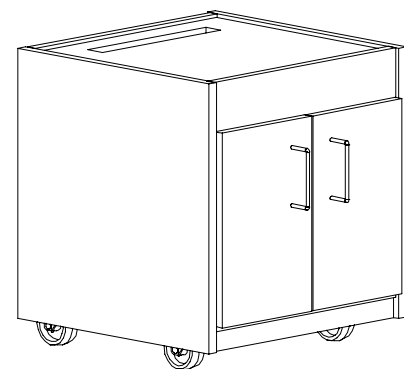
| Catalog # | Description       | Height" | Width" | Depth" | Price |
|-----------|-------------------|---------|--------|--------|-------|
| A-29      | Elementary height | 26      | 25     | 20     |       |
| A-30      | Adult height      | 30      | 25     | 20     |       |



### Mobile File Cabinet

The elementary height unit is supplied with (1) box and (1) file drawer. The intermediate height unit is supplied with (2) boxes and (1) file. The adult height unit is supplied with (1) box drawer and (2) file drawers. The box drawer is 14-7/8"W x 18"D x 5-1/4"H. The file drawer is 14-7/8"W x 18"D x 10-1/2"H. The unit is counterbalanced so that it does not tip over under normal use when the file drawer is opened.

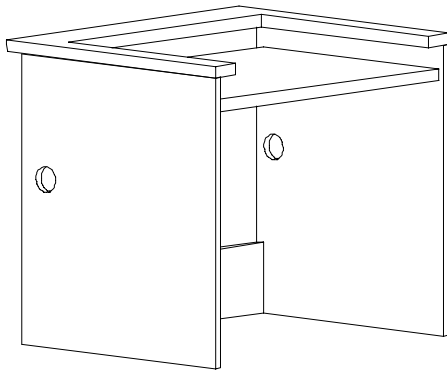
| Catalog # | Description         | Height" | Width" | Depth" | Price |
|-----------|---------------------|---------|--------|--------|-------|
| A-23      | Elementary height   | 25      | 17     | 19     |       |
| A-23A     | Intermediate height | 31      | 17     | 19     |       |
| A-23B     | Adult height        | 36      | 17     | 19     |       |



### Mobile Printer Stand

Unit end panels are constructed of 1"T red oak veneer plywood. All other components are constructed with 3/4"T red oak veneer plywood. Unit is supplied with one (1) adjustable shelf and one (1) base shelf. The shelf is 22-134"W x 17"D x 3/4"T. Adj. Shelf is notched for wiring management. All exposed edges are edgebanded with 1/4"T solid red oak. Doors have satin chrome pulls. The bottom is supplied with a grommet for wire management. Wheels are 210 lbs rated ball-bearing swivel casters. The top is removable and is slotted for printer paper.

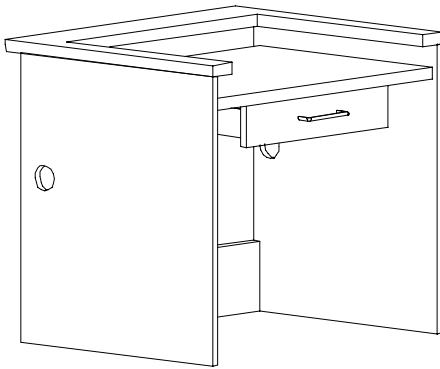
| Catalog # | Description      | Height" | Width" | Depth" | Price |
|-----------|------------------|---------|--------|--------|-------|
| A-24      | Universal height | 21      | 21     | 19     |       |



**Patron Desk Unit**

Unit will have a recessed work surface measuring 34"W x 27-1/4"D, fastened with metal cleats (work surface height - 29"). Work surface grommet, centered along length unless otherwise specified. The recessed work surface will have a 1/4" thick, solid wood, internal edgeband. Patron ledge is 6" deep.

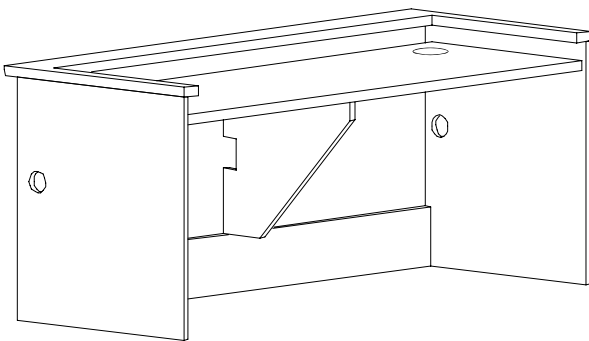
| Catalog # | Description       | Height" | Width" | Depth" | Price |
|-----------|-------------------|---------|--------|--------|-------|
| CDU-3202  | Elementary Height | 32      | 36     | 30     |       |
| CDU-3902  | Adult Height      | 39      | 36     | 30     |       |



**Patron Desk With Pencil Drawer Unit**

Unit will have a recessed work surface measuring 34"W x 27-1/2"D, fastened with metal cleats. (adult work surface height - 29"). Work surface grommet, centered along length unless otherwise specified. The exposed edge of the recessed work surface will have a 1/4" thick, solid wood, internal edgeband. Patron ledge is 6" deep. The pencil drawer is centered under the work surface and 18"W x 14-7/8"D x 3"H.

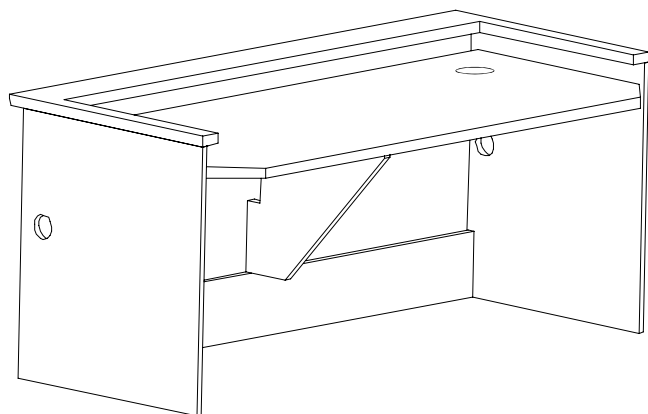
| Catalog # | Description       | Height" | Width" | Depth" | Price |
|-----------|-------------------|---------|--------|--------|-------|
| CDU-3235  | Elementary Height | 32      | 36     | 30     |       |
| CDU-3935  | Adult Height      | 39      | 36     | 30     |       |



**Double-Width Patron Desk Unit**

Each unit will have a recessed work surface measuring 70"W x 27-1/4"D, fastened with metal cleats to provide an adult work surface height of 29"H. This unit is supplied with two (2) work surface grommets located toward each end unless otherwise specified. The recessed work surface will receive a 1/4" thick, solid wood, internal edgeband. The work surface will be supported at midspan with a 1" thick stiffknee that rests on top of the toe board. Patron ledge is 6" deep.

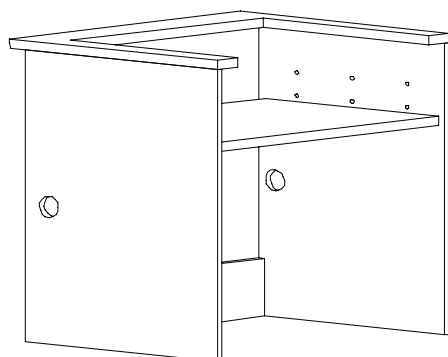
| Catalog # | Description       | Height" | Width" | Depth" | Price |
|-----------|-------------------|---------|--------|--------|-------|
| CDU-3203  | Elementary Height | 32      | 72     | 30     |       |
| CDU-3903  | Adult Height      | 39      | 72     | 30     |       |



**Double-Width Extended Depth Patron Desk Unit**

Each unit will have a recessed work surface measuring 70"W x 27-1/4"D, fastened with metal cleats to provide an adult work surface height of 29"H. This unit is supplied with two (2) work surface grommets located toward each end unless otherwise specified. The recessed work surface will receive a 1/4" thick, solid wood, internal edgeband. The work surface will be supported at midspan with a 1" thick stiffknee that rests on top of the toe board. Patron ledge is 6" deep.

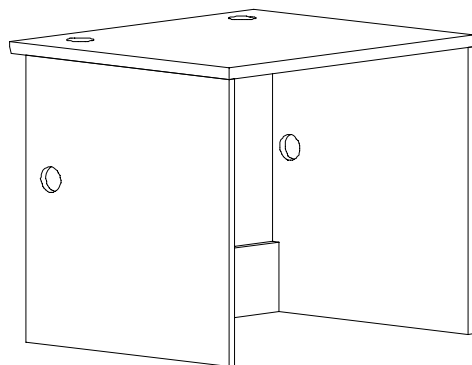
| Catalog # | Description       | Height" | Width" | Depth" | Price |
|-----------|-------------------|---------|--------|--------|-------|
| CDU-3203E | Elementary Height | 32      | 72     | 32-1/2 |       |
| CDU-3903E | Adult Height      | 39      | 72     | 32-1/2 |       |



**Patron Desk with adjustable work surface**

Unit will have a recessed work surface measuring 34"W x 27-1/4"D, fastened with metal cleats and threaded inserts. The work surface is adjustable to accommodate a variety of possible needs. On the adult height unit, the work surface possibilities are 29"H, 32"H, and 39"H. On the elementary height unit, the work surface possibilities are 27"H, and 29"H. The patron ledge is 6"D . Work surface grommet, centered along length unless otherwise specified.

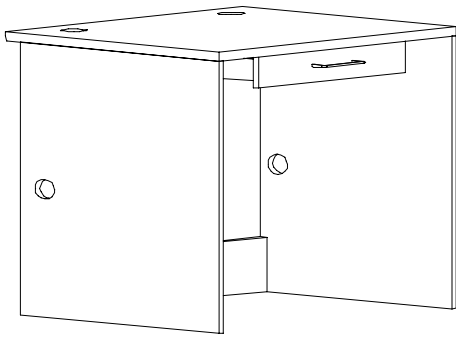
| Catalog # | Description       | Height" | Width" | Depth" | Price |
|-----------|-------------------|---------|--------|--------|-------|
| CDU-3248  | Elementary Height | 32      | 36     | 30     |       |
| CDU-3948  | Adult Height      | 39      | 36     | 30     |       |



**Desk Unit**

Each unit will have inside dimensions of 34"W x 27-1/2"D. Two work surface grommet placed along front edge unless otherwise specified.

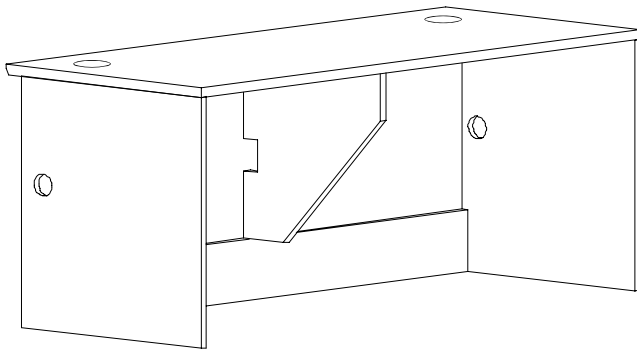
| Catalog # | Description       | Height" | Width" | Depth" | Price |
|-----------|-------------------|---------|--------|--------|-------|
| CDU-3234  | Elementary Height | 32      | 36     | 30     |       |
| CDU-3934  | Adult Height      | 39      | 36     | 30     |       |



**Desk With Pencil Drawer Unit**

Each unit will have inside dimensions of 34"W x 27-1/2"D. Work surface grommet placed along patron length on each end unless otherwise specified. The pencil drawer is centered under the work surface and 18"W x 14-7/8"D x 3"H.

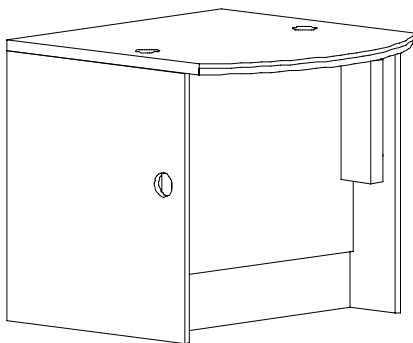
| Catalog # | Description       | Height" | Width" | Depth" | Price |
|-----------|-------------------|---------|--------|--------|-------|
| CDU-3247  | Elementary Height | 32      | 36     | 30     |       |
| CDU-3947  | Adult Height      | 39      | 36     | 30     |       |



**Double Width Desk Unit**

Each unit will have inside dimensions of 70"W x 27-1/2"D. Work surface grommet placed along patron length on each end unless otherwise specified. The work surface will be supported at midspan with a 1" thick stiffknee that rests on top of the toe board.

| Catalog # | Description       | Height" | Width" | Depth" | Price |
|-----------|-------------------|---------|--------|--------|-------|
| CDU-3253  | Elementary Height | 32      | 72     | 30     |       |
| CDU-3953  | Adult Height      | 39      | 72     | 30     |       |

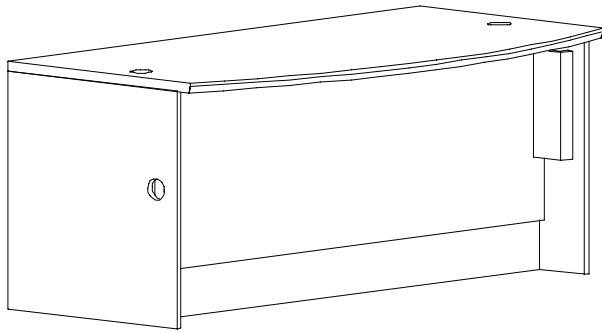


**ADA Transaction Unit**

The unit will have modesty panel mounted along the midline and supplied with two (2) grommets located at each end of the work surface unless otherwise specified. The work surface on all height units will be 32"H. A wire chase is provided for wire concealment.

**ADA Desk Note:** 1) When an ADA unit is used on one end of an adult height circulation desk, an elementary finished end panel should be ordered for that end. 2) When an ADA unit is placed between other adult units the work surface is captured rather than continuous.

| Catalog # | Description                         | Height" | Width" | Depth" | Price |
|-----------|-------------------------------------|---------|--------|--------|-------|
| CDU-3220  | ADA max 32"H (both Elem. And Adult) | 32      | 36     | 36     |       |

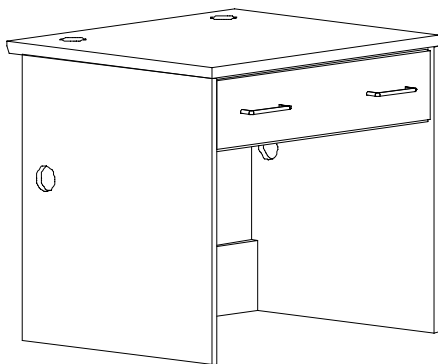


**Double Width ADA Transaction Unit**

Unit will have a modesty panel mounted along unit midline and is supplied with two (2) work surface grommets located at each end unless otherwise specified. The work surface on both heights is 32". A wire chase is provided for wire concealment.

**ADA Desk Note:** 1) When an ADA unit is used on one end of an adult height circulation desk, an elementary finished end panel should be ordered for that end. 2) When an ADA unit is placed between other adult units the work surface is captured rather than continuous.

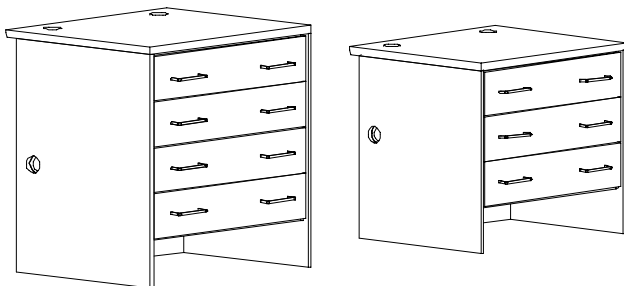
| Catalog # | Description         | Height" | Width" | Depth" | Price |
|-----------|---------------------|---------|--------|--------|-------|
| CDU-3221  | ADA max height 32"H | 32      | 72     | 36     |       |



**Single Drawer Knee Space Unit**

The inside dimensions of the unit are 34"W x 27-1/2"D. The unit is supplied with a 31-1/2"W x 18"D x 5-1/4"H storage drawer.

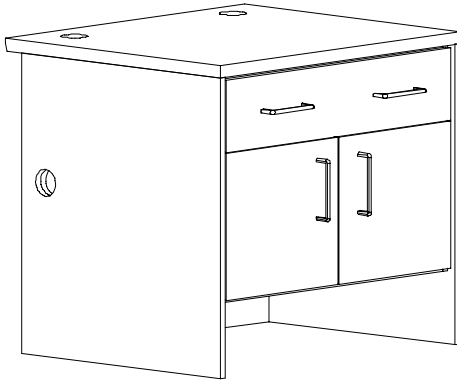
| Catalog # | Description       | Height" | Width" | Depth" | Price |
|-----------|-------------------|---------|--------|--------|-------|
| CDU-3236  | Elementary Height | 32      | 36     | 30     |       |
| CDU-3936  | Adult Height      | 39      | 36     | 30     |       |



**Single Drawer Stack Unit**

This unit will consist of a stack of full width drawers 31-1/2"W x 18"D x 5-1/4"H. The adult height units will receive four (4) drawers and the elementary unit will receive three (3) drawers.

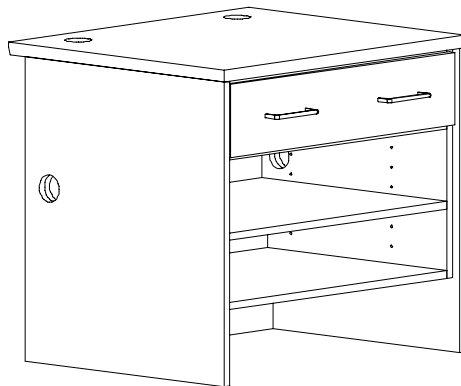
| Catalog # | Description       | Height" | Width" | Depth" | Price |
|-----------|-------------------|---------|--------|--------|-------|
| CDU-3222  | Elementary Height | 32      | 36     | 30     |       |
| CDU-3922  | Adult Height      | 39      | 36     | 30     |       |



**Single Drawer Cupboard Unit**

The unit is supplied with a 31-1/2"W x 5-1/4"H x 18"D storage drawer over cupboard storage space. The adult height unit is supplied with two (2) adjustable shelves. The elementary height unit is supplied with one (1) adjustable shelf. Shelf is 34-1/4"W x 23"D x 3/4"T

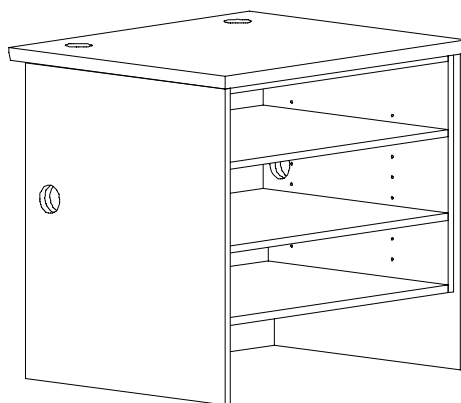
| Catalog # | Description       | Height" | Width" | Depth" | Price |
|-----------|-------------------|---------|--------|--------|-------|
| CDU-3237  | Elementary Height | 32      | 36     | 30     |       |
| CDU-3937  | Adult Height      | 39      | 36     | 30     |       |



**Single Drawer Open Shelf Unit**

Unit is supplied with a full-width, 31-1/2"W x 5-1/4"H x 18"D storage drawer over open shelving. Adult units are supplied with two full-depth, adjustable shelves. The elementary height unit is supplied with one full-depth, adjustable shelf. Shelf size is 32-1/4"W x 23"D x 3/4"T

| Catalog # | Description       | Height" | Width" | Depth" | Price |
|-----------|-------------------|---------|--------|--------|-------|
| CDU-3246  | Elementary Height | 32      | 36     | 30     |       |
| CDU-3946  | Adult Height      | 39      | 36     | 30     |       |

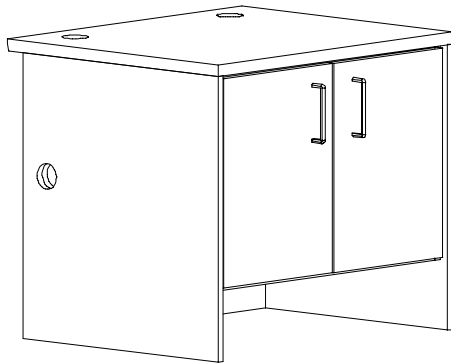


**Open Shelf Unit**

Adult units will be supplied with two full-depth, adjustable shelves. Elementary height units will be supplied with one shelf. Shelf size is 32-1/4"W x 23"D x 3/4"T

| Catalog # | Description       | Height" | Width" | Depth" | Price |
|-----------|-------------------|---------|--------|--------|-------|
| CDU-3208  | Elementary Height | 32      | 36     | 30     |       |
| CDU-3908  | Adult Height      | 39      | 36     | 30     |       |

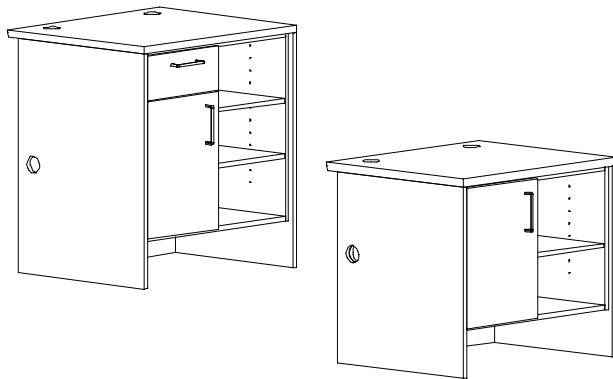




**Cupboard Unit**

Adult height units are supplied with two full-depth, adjustable shelves. Elementary height units will be supplied with one shelf. Shelf size is 32-1/4"W x 23"D x 3/4"T. Hinged doors will have one lock and door pulls.

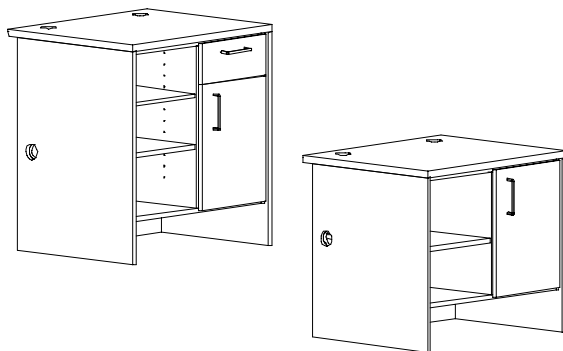
| Catalog # | Description       | Height" | Width" | Depth" | Price |
|-----------|-------------------|---------|--------|--------|-------|
| CDU-3210  | Elementary Height | 32      | 36     | 30     |       |
| CDU-3910  | Adult Height      | 32      | 36     | 30     |       |



**Left Cupboard Open Shelf Unit**

Cupboard on left side, open shelves on the right. Only the adult unit will be supplied with a locking box drawer. The adult cupboard unit will have two (2) adjustable shelves; the elementary unit will only be supplied with one (1) adjustable shelf (no drawer). In the open space, the adult unit will be supplied with two (2) adjustable shelves, the elementary height unit will be supplied with one (1) adjustable shelf. The shelf is 15-5/8"W x 23"D x 3/4"T. Box drawer will be 14-7/8"W x 18"D x 5-1/4"H.

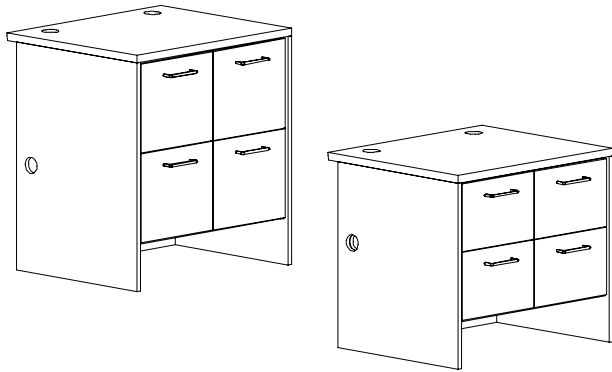
| Catalog # | Description       | Height" | Width" | Depth" | Price |
|-----------|-------------------|---------|--------|--------|-------|
| CDU-3243  | Elementary Height | 32      | 36     | 30     |       |
| CDU-3943  | Adult Height      | 39      | 36     | 30     |       |



**Right Cupboard Open Shelf Unit**

Cupboard on right side, open shelves on the left. Only the adult unit only will be supplied with a locking box drawer on right side. The adult cupboard unit will have two (2) adjustable shelves; the elementary unit will only be supplied with one (1) adjustable shelf (no drawer). In the open space, the adult unit will be supplied with two (2) adjustable shelves, the elementary height unit will be supplied with one (1) adjustable shelf. The shelf is 15-5/8"W x 23"D x 3/4"T. Box drawer will be 14-7/8"W x 18"D x 5-1/4"H.

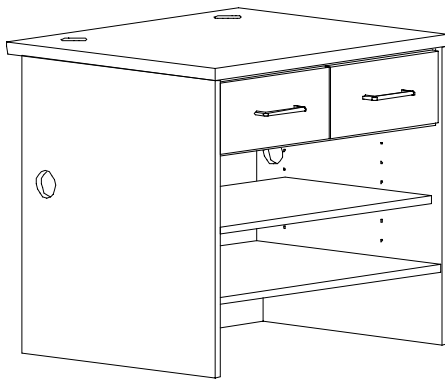
| Catalog # | Description       | Height" | Width" | Depth" | Price |
|-----------|-------------------|---------|--------|--------|-------|
| CDU-3242  | Elementary Height | 32      | 36     | 30     |       |
| CDU-3942  | Adult Height      | 39      | 36     | 30     |       |



**Double Drawer Stack Unit**

This unit consist of a double stack of drawers. The adult height unit takes four file drawers. The elementary has two box drawers and two file drawers. The box drawer is 14-7/8"W x 18"D x 5-1/4"H. The file drawer is 14-7/8"W x 18"D x 10.5"H.

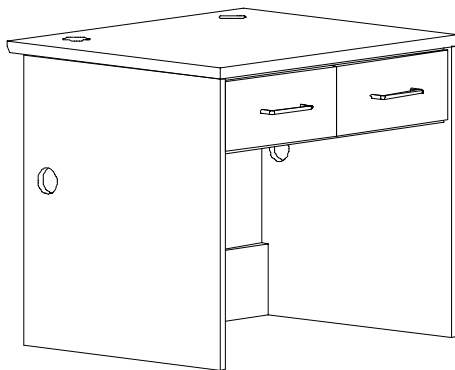
| Catalog # | Description       | Height" | Width" | Depth" | Price |
|-----------|-------------------|---------|--------|--------|-------|
| CDU-3229  | Elementary Height | 32      | 36     | 30     |       |
| CDU-3929  | Adult Height      | 39      | 36     | 30     |       |



**Double-Drawer Open Shelf Unit**

Each unit is supplied with two equal-width drawers over open shelving. Adult height units will be supplied with two full-depth adjustable shelves. Elementary height units will be supplied with one shelf. The box drawer is 14-7/8"W x 18"D x 5-1/4"H. The shelf is 32-1/4"W x 23"D x 3/4"T. Top right drawer will receive a lock unless otherwise specified.

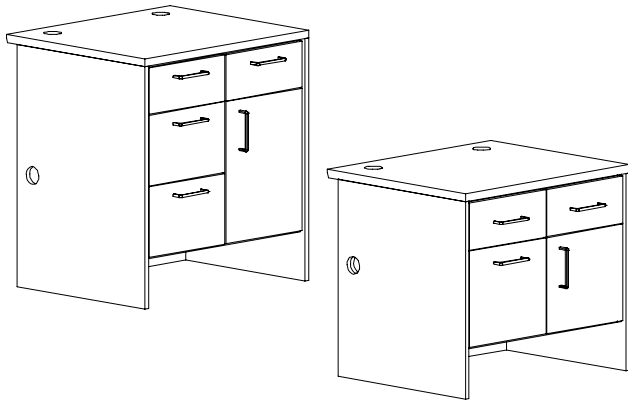
| Catalog # | Description       | Height" | Width" | Depth" | Price |
|-----------|-------------------|---------|--------|--------|-------|
| CDU-3207  | Elementary Height | 32      | 36     | 30     |       |
| CDU-3907  | Adult Height      | 39      | 36     | 30     |       |



**Double Drawer Knee Space Unit**

Each unit is supplied with two equal-width drawers, each measuring 14-7/8"W x 18"D x 5-1/4"H. Inside dimensions are 34"W x 27-1/2"D. Top right drawer will receive a lock unless otherwise specified.

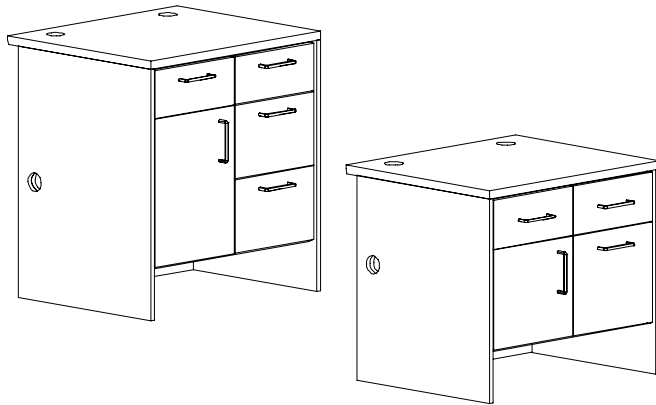
| Catalog # | Description       | Height | Width | Depth | Price |
|-----------|-------------------|--------|-------|-------|-------|
| CDU-3209  | Elementary Height | 32     | 36    | 30    |       |
| CDU-3909  | Adult Height      | 39     | 36    | 30    |       |



**Double Drawer, *Right* Cupboard & File Unit**

Cupboard on right, file drawer on left. Each adult height unit will have 2 box drawers, 2 file drawers and 2 adjustable shelves inside the cupboard. Elementary height units have 1 box drawer, 1 file drawer and 1 adjustable shelf. The top drawers and cupboard door will have a lock. The box drawers are 14-7/8”W x 18”D x 5-1/4”H. The file drawers are 14-7/8”W x 18”D x 10-1/2”H. The shelf is 15-5/8”W x 23”D x 3/4”T.

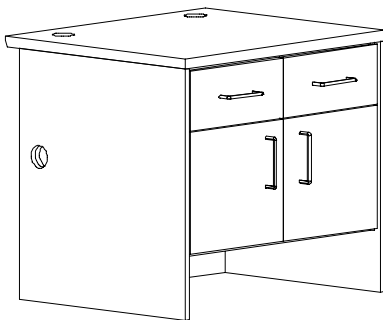
| Catalog # | Description       | Height" | Width" | Depth" | Price |
|-----------|-------------------|---------|--------|--------|-------|
| CDU-3241  | Elementary Height | 32      | 36     | 30     |       |
| CDU-3941  | Adult Height      | 39      | 36     | 30     |       |



**Double Drawer, *Left* Cupboard & File Unit**

Cupboard on left, file drawer on right. Each adult height unit will have 2 box drawers, 2 file drawers and 2 adjustable shelves inside the cupboard. Elementary height units have 1 box drawer, 1 file drawer and 1 adjustable shelf. The top drawers and cupboard door will have a lock. The box drawers are 14-7/8”W x 18”D x 5-1/4”H. The file drawers are 14-7/8”W x 18”D x 10-1/2”H. The shelf is 15-5/8”W x 23”D x 3/4”T.

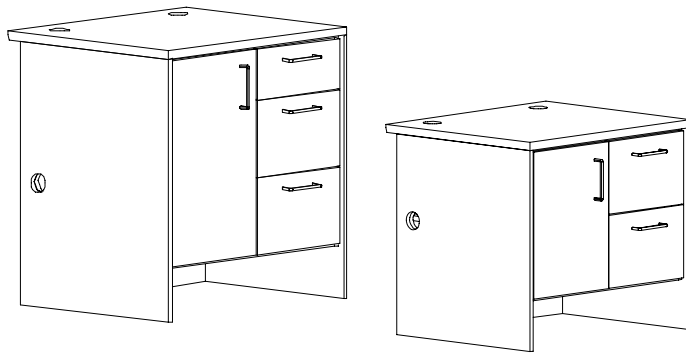
| Catalog # | Description       | Height" | Width" | Depth" | Price |
|-----------|-------------------|---------|--------|--------|-------|
| CDU-3254  | Elementary Height | 32      | 36     | 30     |       |
| CDU-3954  | Adult Height      | 39      | 36     | 30     |       |



**Double Drawer Cupboard Unit**

Unit is supplied with two equal-width storage drawers, each measuring 14-7/8”W x 18”D x 5-1/4”H. Right side drawer and doors will have locks unless otherwise specified. These drawers will be mounted over a cupboard storage space. The adult height units are supplied with two (2) adjustable shelves. The elementary height unit is supplied with one (1) adjustable shelf. The shelf is 32-1/4”W x 23”D x 3/4”T.

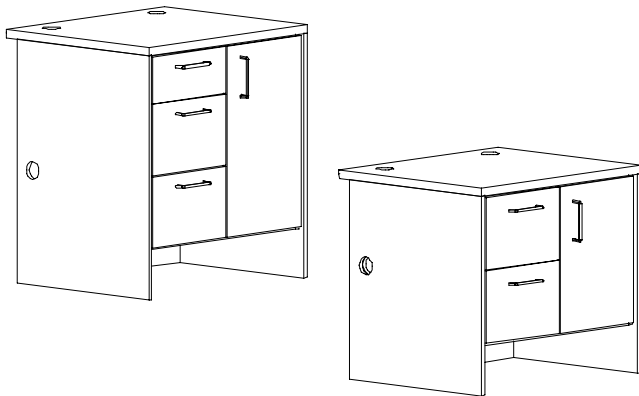
| Catalog # | Description       | Height" | Width" | Depth" | Price |
|-----------|-------------------|---------|--------|--------|-------|
| CDU-3238  | Elementary Height | 32      | 36     | 30     |       |
| CDU-3938  | Adult Height      | 39      | 36     | 30     |       |



**Left Cupboard File Drawer Unit**

Cupboard on left side, drawers on right side. Each adult height unit will have two (2) file drawers, one (1) box drawers and two (2) adjustable shelves in the cupboard. Elementary height units have one (1) box drawer, one (1) file drawer and one (1) adjustable shelf in the cupboard. The top drawer and cupboard door will receive a lock. The box drawers are 14-7/8”W x 18”D x 5-1/4”H. The file drawers are 14-7/8”W x 18”D x 10-1/2”H. The shelf is 15-5/8”W x 23”D x 3/4”T.

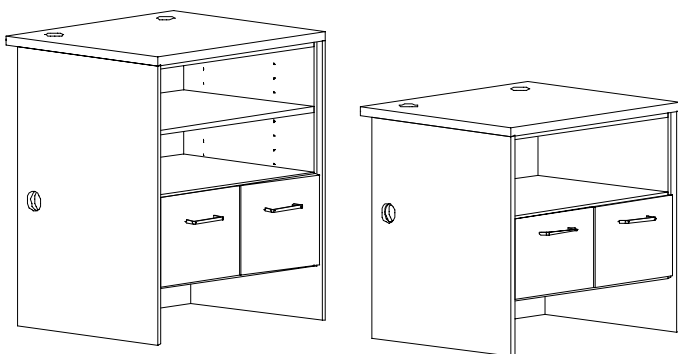
| Catalog # | Description       | Height" | Width" | Depth" | Price |
|-----------|-------------------|---------|--------|--------|-------|
| CDU-3240  | Elementary Height | 32      | 36     | 30     |       |
| CDU-3940  | Adult Height      | 39      | 36     | 30     |       |



**Right Cupboard File Drawer Unit**

Cupboard on right side, drawers on left side. Each adult height unit will have two (2) file drawers, one (1) box drawers and two (2) adjustable shelves in the cupboard. Elementary height units have one (1) box drawer, one (1) file drawer and one (1) adjustable shelf in the cupboard. The top drawer and cupboard door will receive a lock. The box drawers are 14-7/8”W x 18”D x 5-1/4”H. The file drawers are 14-7/8”W x 18”D x 10-1/2”H. The shelf is 15-5/8”W x 23”D x 3/4”T.

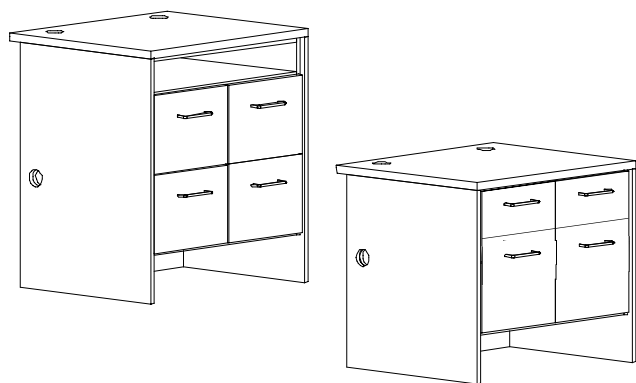
| Catalog # | Description       | Height" | Width" | Depth" | Price |
|-----------|-------------------|---------|--------|--------|-------|
| CDU-3239  | Elementary Height | 32      | 36     | 30     |       |
| CDU-3939  | Adult Height      | 39      | 36     | 30     |       |



**Two-Drawer File Open Top Shelf Unit**

Each unit is an Open Shelf Unit with two letter file drawers. Adult height units are supplied with one full-depth, adjustable shelves. Elementary height units will not have an adjustable shelf. The shelf is 32-1/4”W x 23”D x 3/4”T. The file drawer is 14-7/8”W x 18”D x 10-1/2”H.

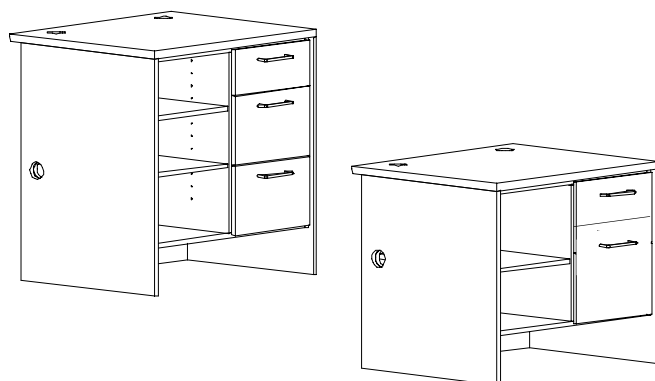
| Catalog # | Description       | Height" | Width" | Depth" | Price |
|-----------|-------------------|---------|--------|--------|-------|
| CDU-3914  | Elementary Height | 32      | 36     | 30     |       |
| CDU-3214  | Adult Height      | 39      | 36     | 30     |       |



**File Drawer Open Top Unit**

The adult unit is supplied with four (4) file drawers with an open shelf space above them. The elementary unit is supplied with two (2) box drawers and two (2) file drawers with no open space above them. The box drawers are 14-7/8"W x 18"D x 5-1/4"H. The file drawers are 14-7/8"W x 18"D x 10-1/2"H. Top right drawer receive lock unless otherwise specified.

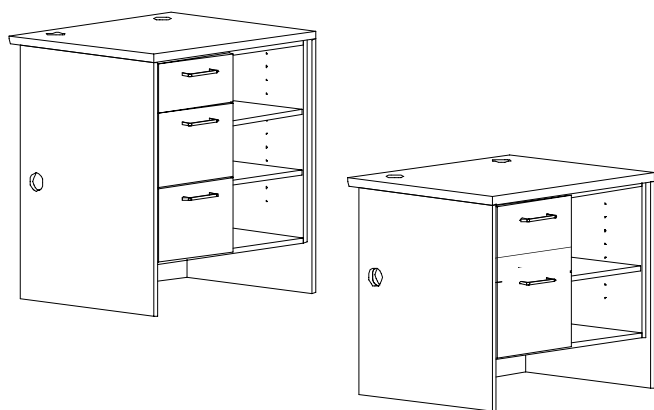
| Catalog # | Description       | Height" | Width" | Depth" | Price |
|-----------|-------------------|---------|--------|--------|-------|
| CDU-3215  | Elementary Height | 32      | 36     | 30     |       |
| CDU-3915  | Adult Height      | 39      | 36     | 30     |       |



**Right File Drawer Open Shelf Unit**

Right side file drawers, left side open shelf. Adult height unit will have one (1) box drawer, (2) file drawers and (2) adjustable shelves. Elementary height units will have (1) box drawer, (1) file drawer and (1) adjustable shelf. The top drawer on both heights will receive a lock. The box drawers are 14-7/8"W x 18"D x 5-1/4"H. The file drawers are 14-7/8"W x 18"D 10-1/2"H. The shelf is 15-5/8"W x 23"D x 3/4"T

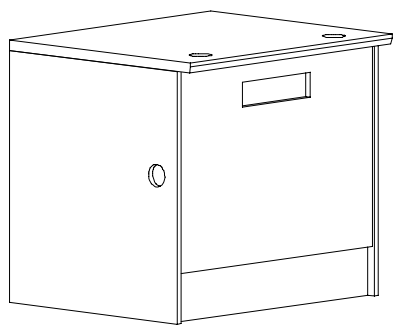
| Catalog # | Description       | Height" | Width" | Depth" | Price |
|-----------|-------------------|---------|--------|--------|-------|
| CDU-3245  | Elementary Height | 32      | 36     | 30     |       |
| CDU-3945  | Adult Height      | 39      | 36     | 30     |       |



**Left File Drawer Open Shelf Unit**

Left side file drawers, right side open shelf. Adult height unit will have one (1) box drawer, (2) file drawers and (2) adjustable shelves. Elementary height units will have (1) box drawer, (1) file drawer and (1) adjustable shelf. The top drawer on both heights will receive a lock. The box drawers are 14-7/8"W x 18"D x 5-1/4"H. The file drawers are 14-7/8"W x 18"D 10-1/2"H. The shelf is 15-5/8"W x 23"D x 3/4"T

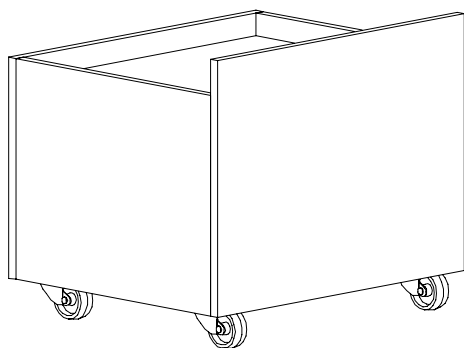
| Catalog # | Description       | Height" | Width" | Depth" | Price |
|-----------|-------------------|---------|--------|--------|-------|
| CDU-3244  | Elementary Height | 32      | 36     | 30     |       |
| CDU-3944  | Adult Height      | 39      | 36     | 30     |       |



**Book Return Unit**

Inside dimensions are 34"W x 27-1/2"D. The front panel will have a 3"H x 12"W book-return slot, fully edgebanded, with an internal wood chute so as to allow gentle deposit of books into book truck. A rear-mounted 3/4"T edgebanded wood book chute allows for the gentle deposit of reading materials. (See below for depressible book trucks - BT-D39 for adult-height units or BT-D32 for elementary-height units).

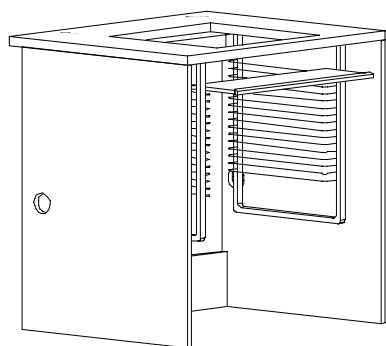
| Catalog # | Description       | Height" | Width" | Depth" | Price |
|-----------|-------------------|---------|--------|--------|-------|
| CDU-3205  | Elementary Height | 32      | 36     | 30     |       |
| CDU-3905  | Adult Height      | 39      | 36     | 30     |       |



**Depressible Book Truck**

Each unit will have a depressible platform that will hold approximately 70 books. Each unit will have four 3" swivel casters mounted directly to a 3/4"T red oak veneer plywood bottom using 5/16" dia bolts with are received on the top size of plywood via T-nuts.

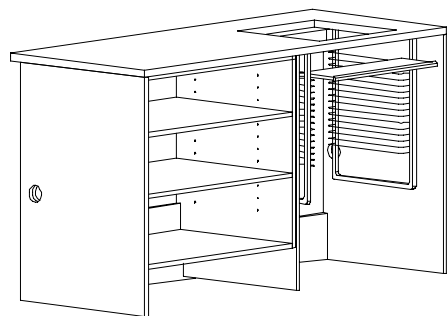
| Catalog # | Description       | Height" | Width" | Depth" | Price |
|-----------|-------------------|---------|--------|--------|-------|
| BT-D32    | Elementary height | 22      | 26     | 22     |       |
| BT-D39    | Adult height      | 29      | 26     | 22     |       |



**NOVA Unit**

Each unit will have a NOVA assembly mounted to the underside of the work surface to accommodate a computer monitor, and pullout keyboard tray. A corresponding 18-1/4"L x 18-1/4"W viewport will be machined into the continuous top to accommodate monitor viewing.

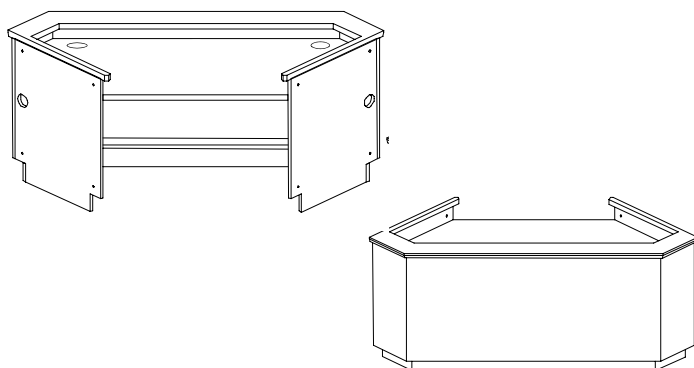
| Catalog # | Description       | Height" | Width" | Depth" | Price |
|-----------|-------------------|---------|--------|--------|-------|
| CDU-3230  | Elementary Height | 32      | 36     | 30     |       |
| CDU-3930  | Adult Height      | 39      | 36     | 30     |       |



**NOVA Open Shelf Unit**

Each unit will have a NOVA assembly mounted to the underside of the work surface to accommodate a computer monitor, and pullout keyboard tray. A corresponding 18-1/4”L x 18-1/4”W viewport will be machined into the work surface to accommodate monitor viewing. Adult height units will have two (2) adjustable shelves and elementary height units will have one (1) adjustable shelf. The shelf is 34-1/4”W x 23”D x 3/4”T

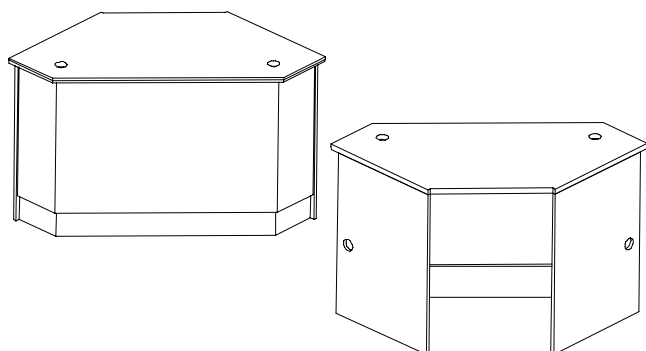
| Catalog # | Description       | Height" | Width" | Depth" | Price |
|-----------|-------------------|---------|--------|--------|-------|
| CDU-3231  | Elementary Height | 32      | 72     | 30     |       |
| CDU-3931  | Adult Height      | 39      | 72     | 30     |       |



**Corner Patron Desk Unit**

Each unit is designed to provide a 90-degree transition in any desk arrangement, while providing a corner work space with a recessed work surface and patron ledge. The recessed work surface will be mounted at 29”H using metal cleats. The working width for staff-side accessibility will be 35”W. This unit is supplied with two (2) work surface grommets located at each end unless otherwise specified. The patron ledge is 6” deep.

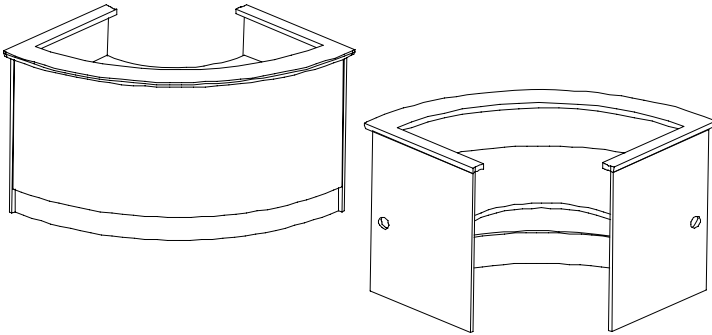
| Catalog # | Description       | Height" | Width" | Depth" | Price |
|-----------|-------------------|---------|--------|--------|-------|
| CDU-3232  | Elementary Height | 32      | 78-1/2 | 30     |       |
| CDU-3932  | Adult Height      | 39      | 78-1/2 | 30     |       |



**Corner Desk Unit**

Each unit is designed to provide a 90-degree transition in any desk arrangement. The working width for staff-side accessibility will be 35”W. This unit is supplied with two (2) work surface grommets located on the patron side at each end unless otherwise specified.

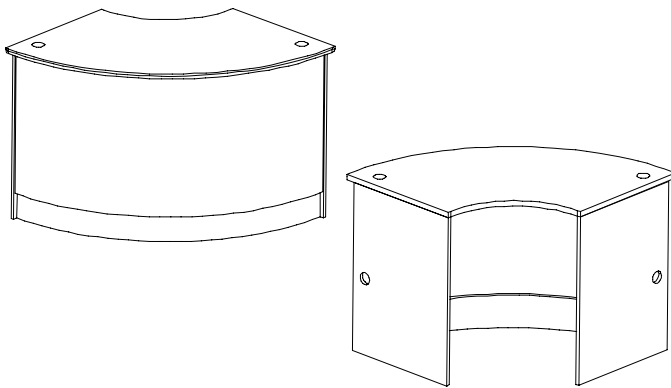
| Catalog # | Description       | Height" | Width" | Depth" | Price |
|-----------|-------------------|---------|--------|--------|-------|
| CDU-3233  | Elementary Height | 32      | 78-1/2 | 30     |       |
| CDU-3933  | Adult Height      | 39      | 78-1/2 | 30     |       |



**90 Degree Curved Patron Desk Unit**

Each unit is designed to provide a radiused 90-degree transition in any desk arrangement, while providing a corner work space with a recessed work surface and patron ledge. The recessed work surface will be mounted at 29"H using metal cleats. The working width for staff-side accessibility will be 35"W. This unit is supplied with two (2) work surface grommets located at each end unless otherwise specified. The patron ledge is 6"D.

| Catalog # | Description       | Height" | Width" | Depth" | Price |
|-----------|-------------------|---------|--------|--------|-------|
| CDU-3250  | Elementary Height | 32      | 78-1/2 | 30     |       |
| CDU-3950  | Adult Height      | 39      | 78-1/2 | 30     |       |



**90 Degree Curved Desk Unit**

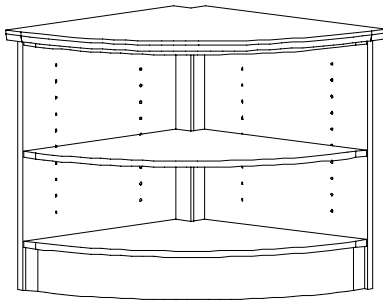
Each unit is designed to provide a radiused 90-degree transition in any desk arrangement, while providing a corner work space. The working width for staff-side accessibility will be 35"W. This unit is supplied with two (2) work surface grommets located at each end unless otherwise specified.

| Catalog # | Description       | Height" | Width" | Depth" | Price |
|-----------|-------------------|---------|--------|--------|-------|
| CDU-3251  | Elementary Height | 32      | 78-1/2 | 30     |       |
| CDU-3951  | Adult Height      | 39      | 78-1/2 | 30     |       |

It is possible to store the mind with a million facts  
and still be entirely uneducated.

Alec Bourne

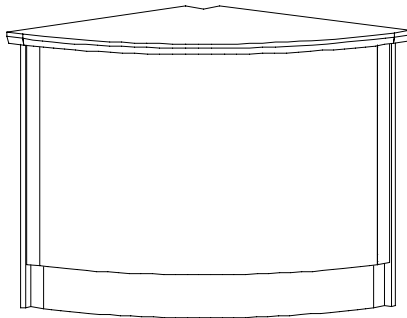




**90 Degree Radiused Open Shelf Corner Unit**

Each unit will be triangular, with a radiused, open-face design and will be used to form a 90-degree transition in any desk arrangement. Adult height units will be supplied with two (2) adjustable shelves and elementary height units will be supplied with one (1) adjustable shelf. Open shelf corner units do not provide for wire access. Shelves will be accessible from patron side of circulation desk.

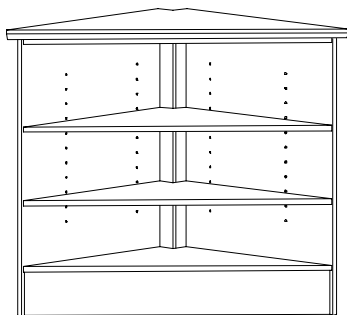
| Catalog # | Description       | Height" | Width" | Depth" | Price |
|-----------|-------------------|---------|--------|--------|-------|
| CDU-3228  | Elementary Height | 32      | 33     | 33     |       |
| CDU-3928  | Adult Height      | 39      | 33     | 33     |       |



**90 Degree Radiused Closed Corner Unit**

Each unit will be triangular, with a radiused, closed-face design and will be used to form a 90-degree transition in any desk arrangement. This unit is supplied with an internal wire manager unless otherwise specified.

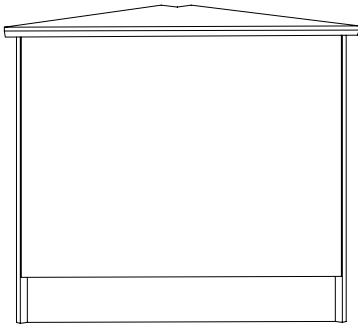
| Catalog # | Description       | Height" | Width" | Depth" | Price |
|-----------|-------------------|---------|--------|--------|-------|
| CDU-3226  | Elementary Height | 32      | 33     | 33     |       |
| CDU-3926  | Adult Height      | 39      | 33     | 33     |       |



**90 Degree Flat-Front Open Shelf Corner Unit**

Each unit will be triangular with a flat open-front design and will be used to form a 90-degree transition in any desk arrangement. Each unit will have one (1) fixed base shelf and adjustable shelves according to unit height. Adult units will be supplied with two (2) adjustable shelves and elementary height units will be supplied with one (1) adjustable shelf. Shelves will be accessible from patron side of circulation desk. Open shelf corner units do not provide for wire access.

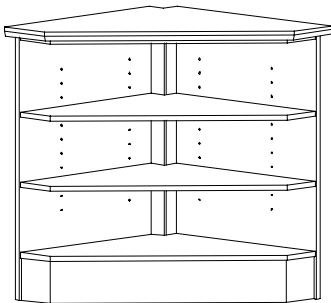
| Catalog # | Description       | Height" | Width" | Depth" | Price |
|-----------|-------------------|---------|--------|--------|-------|
| CDU-3223  | Elementary Height | 32      | 33     | 33     |       |
| CDU-3923  | Adult Height      | 39      | 33     | 33     |       |



**90 Degree Flat Front Closed Corner Unit**

Each unit will be triangular with a flat closed -front design and will be used to form a 90-degree transition in any desk arrangement. This unit is supplied with an internal wire manager unless otherwise specified.

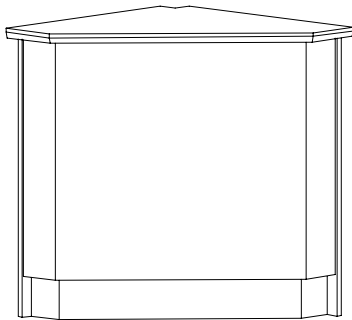
| Catalog # | Description       | Height" | Width" | Depth" | Price |
|-----------|-------------------|---------|--------|--------|-------|
| CDU-3252  | Elementary Height | 32      | 33     | 33     |       |
| CDU-3952  | Adult Height      | 39      | 33     | 33     |       |



**90 Degree Open Shelf Corner Unit**

Each unit will be triangular with an angled open-front design and will be used to form a 90-degree transition in any desk arrangement. Each unit will have one (1) fixed base shelf and adjustable shelves according to unit height. Adult height units will be supplied with two (2) adjustable shelves and elementary-height units will be supplied with one (1) adjustable shelf. Shelves will be accessible from patron side of circulation desk. Open shelf corner units do not provide for wire access.

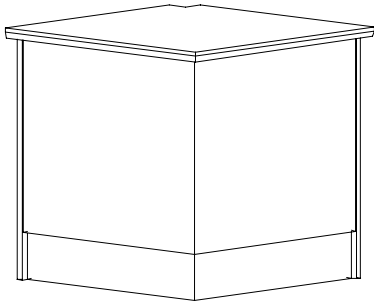
| Catalog # | Description       | Height | Width | Depth | Price |
|-----------|-------------------|--------|-------|-------|-------|
| CDU-3217  | Elementary Height | 32     | 33    | 33    |       |
| CDU-3917  | Adult Height      | 39     | 33    | 33    |       |



**90 Degree Closed Corner Unit**

Each unit will be triangular with a angled, closed-face design and will be used to form a 90-degree transition in any desk arrangement. This unit is supplied with an internal wire manager unless otherwise specified.

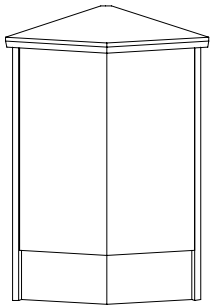
| Catalog # | Description       | Height | Width | Depth | Price |
|-----------|-------------------|--------|-------|-------|-------|
| CDU-3216  | Elementary height | 32     | 33    | 33    |       |
| CDU-3916  | Adult height      | 39     | 33    | 33    |       |



### Square Closed Corner Unit

Each unit will be square, with a closed-face design and will be used to form a 90-degree transition in any desk arrangement. This unit is supplied with an internal wire manager unless otherwise specified.

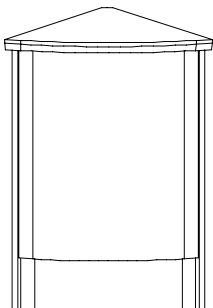
| Catalog # | Description       | Height" | Width" | Depth" | Price |
|-----------|-------------------|---------|--------|--------|-------|
| CDU-3224  | Elementary Height | 32      | 33     | 33     |       |
| CDU-3924  | Adult Height      | 39      | 33     | 33     |       |



### 45 Degree Closed Corner Unit

Each unit will be triangular, with angled, closed-face design and will be used to form a 45-degree transition in any desk arrangement. This unit is supplied with an internal wire manager unless otherwise specified.

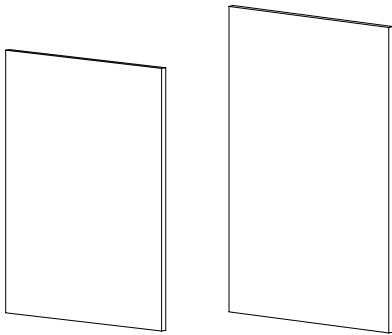
| Catalog # | Description       | Height" | Width" | Depth" | Price |
|-----------|-------------------|---------|--------|--------|-------|
| CDU-3225  | Elementary Height | 32      | 24-3/4 | 30     |       |
| CDU-3925  | Adult Height      | 39      | 24-3/4 | 30     |       |



### 45 Degree Radiused Closed Corner Unit

Each unit will be triangular, with a radiused, closed-face design and will be used to form a 45-degree transition in any desk arrangement. This unit is supplied with an internal wire manager unless otherwise specified.

| Catalog # | Description       | Height" | Width" | Depth" | Price |
|-----------|-------------------|---------|--------|--------|-------|
| CDU-3227  | Elementary Height | 32      | 24-3/4 | 30     |       |
| CDU-3927  | Adult Height      | 39      | 24-3/4 | 30     |       |



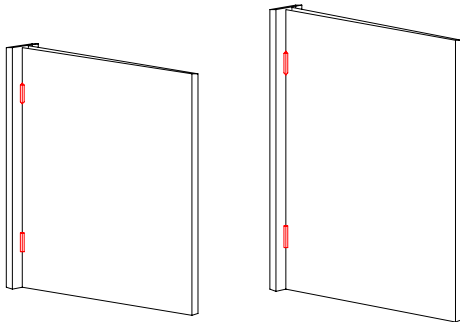
**Finished End Panel**

Each panel will be constructed using banded, matching veneer-core plywood.

**All fully assembled circulation desks** will need two (2) finished end panels unless placement is permanently next to a wall or other structure that hides the unfinished side of the service unit on the end.

**ADA Desk Note:** When the adult version is used on one end of the circulation desk, an elementary finished end panel should be ordered for that end.

| Catalog # | Description                       | Height" | Width" | Depth" | Price |
|-----------|-----------------------------------|---------|--------|--------|-------|
| CDU-3218  | Elementary height, standard depth | 31-3/4  | 1      | 30-1/2 |       |
| CDU-3918  | Adult height, standard depth      | 38-3/4  | 1      | 30-1/2 |       |



**Swinging Gate**

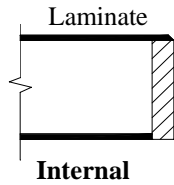
Gates can be mounted to walls or finished end panels on the circulation desk. Gates will be constructed using banded, matching veneer-core plywood in widths of up to 36". Single-action gates are supplied with stop moulding. **The desired width of the gate and hinge type (single or double action) MUST BE quoted in advance and specified on the order.**

| Catalog # | Description                            | Height" | Width"  | Depth" | Price          |
|-----------|--|---------|---------|--------|----------------|
| CDU-1G 32 | Elementary height, single action hinge | 32      | Specify | n/a    | based on width |
| CDU-2G 32 | Elementary height, double action hinge | 32      | Specify | n/a    | based on width |
| CDU-1G 39 | Adult height, single action hinge      | 39      | Specify | n/a    | based on width |
| CDU-2G 39 | Adult height, double action hinge      | 39      | Specify | n/a    | based on width |

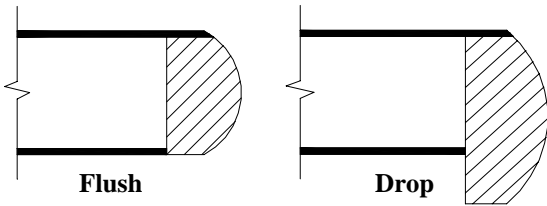
“Education is not the filling of a pail, but the lighting of a fire.”

William Butler Yeats

**Planning For & Ordering Edgeband for Ultima Series**



All edges *except* the Patron side of the work surface comes with a 1/4" internal solid red oak edgeband.

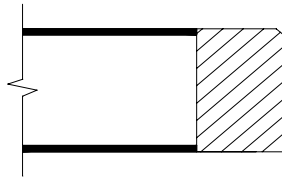


When choosing an edgeband for Patron side you can either have the edgeband placed flush with the bottom of the top or dropped below the bottom.

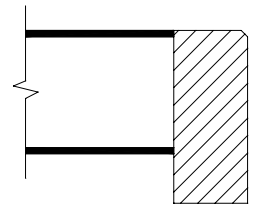
**Work surfaces** will be constructed with a 3/4" T solid red oak edgeband and can be ordered with any one of a variety of internal or external edgeband details.

See below for edge details for the Ultima Series.

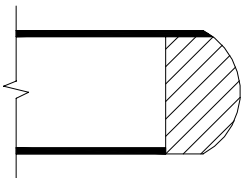
**Edge Details  
for  
Ultima Series**



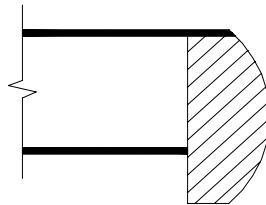
1 1/4" thick top (External)  
**Montana Flush**



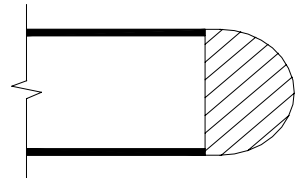
1 1/4" thick top (External)  
**Montana Drop**



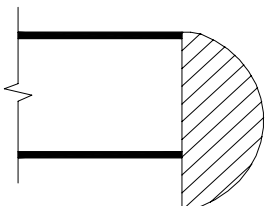
1 1/4" thick top (Internal)  
**Shallow Bullnose Flush**



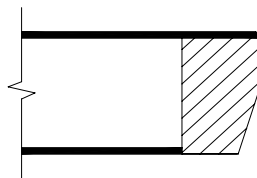
1 1/4" thick top (Internal)  
**Shallow Bullnose Drop**



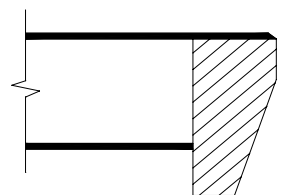
1 1/4" thick top (External)  
**Bullnose Flush**



1 1/4" thick top (External)  
**Bullnose Drop**



1 1/4" thick top (Internal)  
**Premier Flush**



1 1/4" thick top (Internal)  
**Premier Drop**



**GENERAL SPECIFICATIONS**

The *ModuFlex* Series circulation desk is designed to provide the maximum degree of flexibility of modern cabinetry. Each service unit uses the modular concept to achieve nearly any desired desk arrangement without the need for a custom top.

**CONSTRUCTION AND MATERIALS**

Each desk unit will be constructed from 1" thick, 7-ply veneer core plywood, with plain-sliced face veneers. Front panels will be 3/4" T rift-cut veneer matched for color to provide uniformity across the entire desk arrangement.

Each unit is constructed with a 6" high x 3/4" D toe space covered with flat black laminate on both sides. All visible panel edges will be banded with 1/2" thick eased matching hardwood. All doors, adjustable shelves, and drawer fronts will be constructed from 3/4" thick, 7-ply veneer core plywood with plain-sliced veneers.

All edges will be banded with 1/4" thick eased matching hardwood. SEE PAGE 92 FOR EDGE BAND DETAILS. Shelves will be on no greater than 2" centers supported by 1/4" shelf pins.

Each drawer box will be of English dovetail design and will be constructed using 1/2" thick solid northern grown red oak with a 1/4" thick veneer core plywood bottom. Box drawers will be 14-7/8"W x 18"D x 5-1/4"H. File drawers will be 14-7/8"W x 18"D x 10-1/2"H. Double width drawers will be 31-1/2"W x 18"D x 5-1/4"H.

Individual tops will be 1-1/4" thick and will be constructed from 1-1/8" thick particleboard with .050" high-pressure laminate on the face with .020" backer sheet on the underside of the top.

Patron edge will be banded with 3/4" solid wood edgeband per customer selection from our edgeband chart on the last page of this section. All Staff-side

edges will be internally banded with 1/4" thick solid red oak.

**HARDWARE**

All drawers will be constructed to an overall depth of 18" and will be mounted on 18" full-extension, ball bearing glides with a load rating of 100 pounds per pair. All locks on a given desk arrangement will be keyed identically.

All doors will be hung with 110-degree opening, self-closing Salice hinges (180-degree available if specified) and Salice Smove (tm) door cushion. Pulls for both doors and drawers will be satin chrome 5/16" diameter wire pulls. Pull substitutions may be made at customer's request.  
[an upcharge may apply].

All units will be supplied with 3" grommets through the work surface and end panels with J-channel wire manager mounted under the surface.

**FINISH:** See page 5 for finish specifications

Visit our website at [www.russwood.net](http://www.russwood.net)

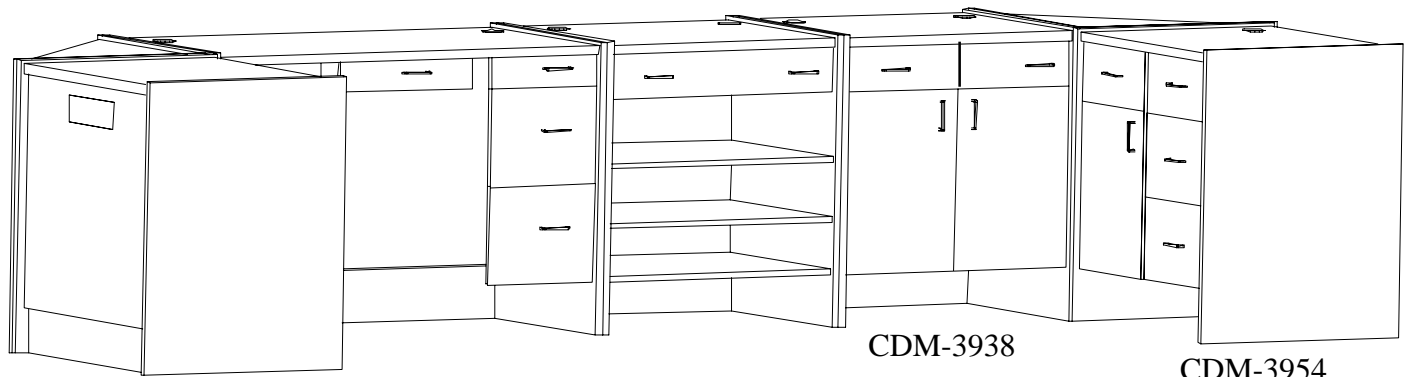
**CDM-1**



CDM-3905

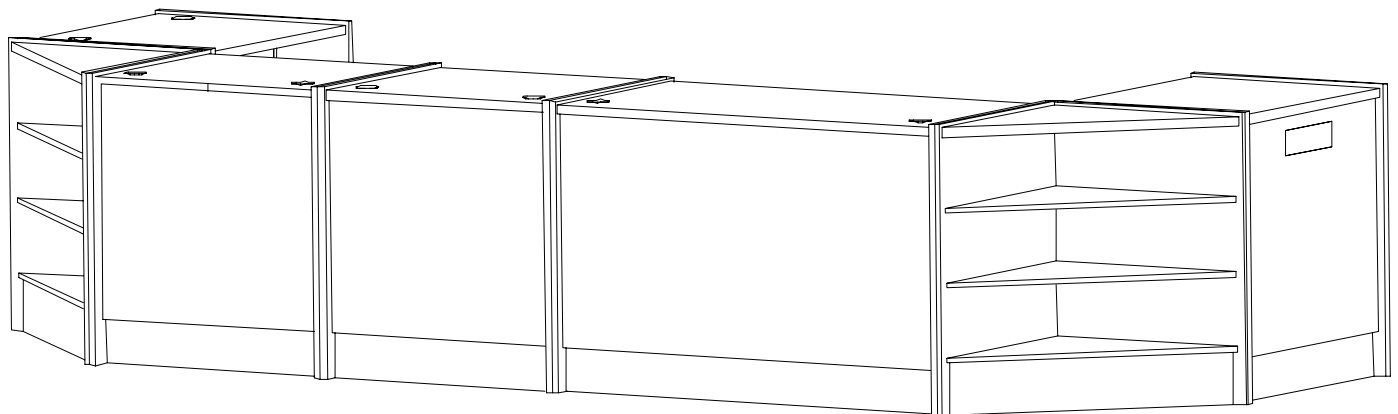
BT- D39

CDM-3903 with optional pencil drawer & pedestals



CDM-3938

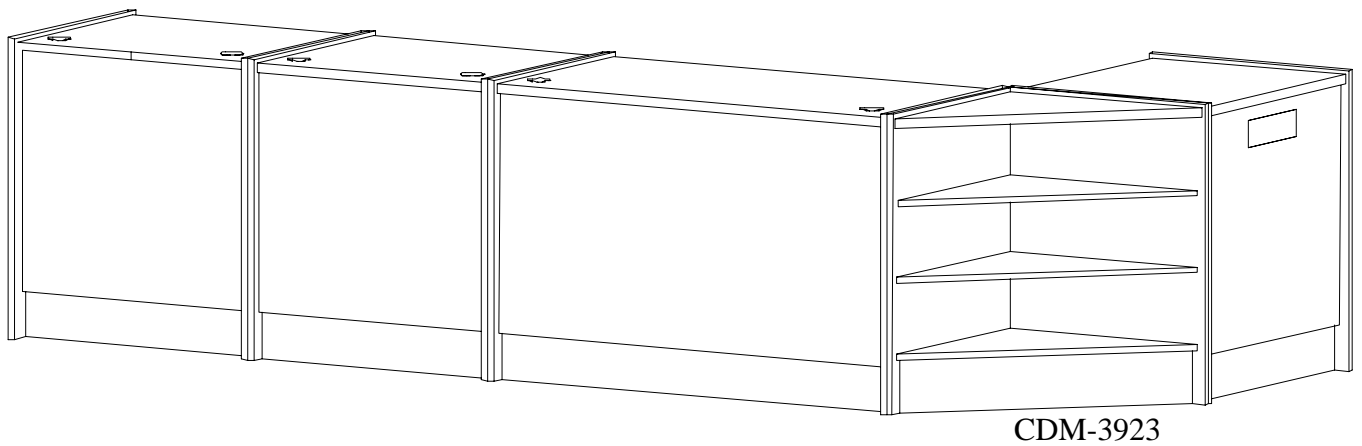
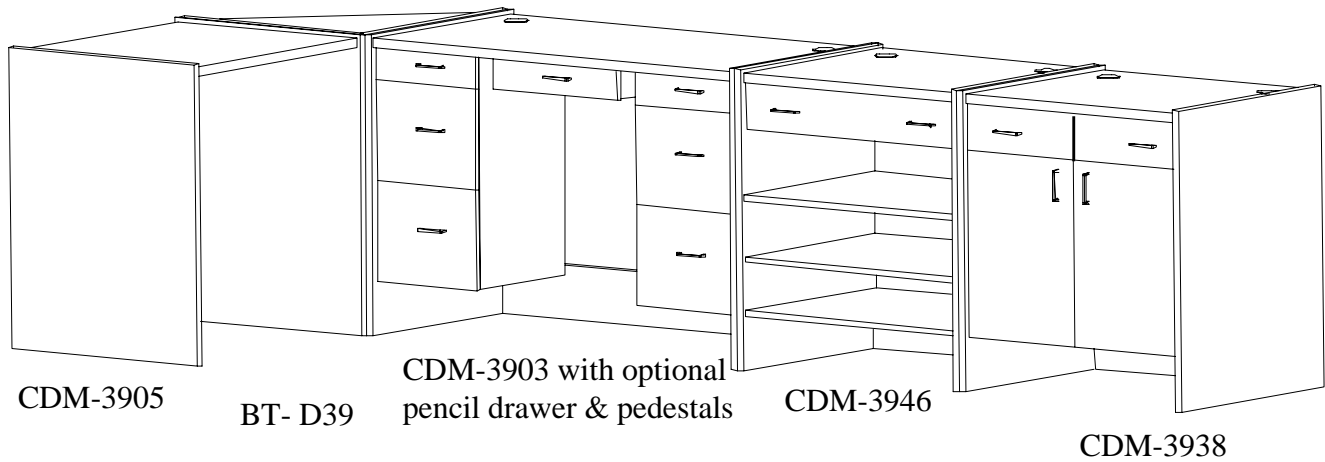
CDM-3954



CDM-3923

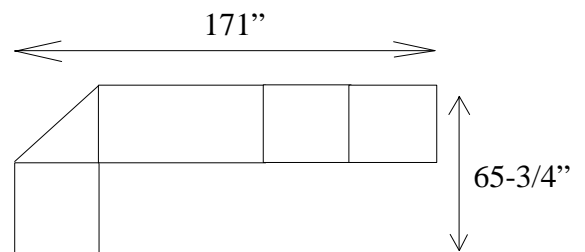
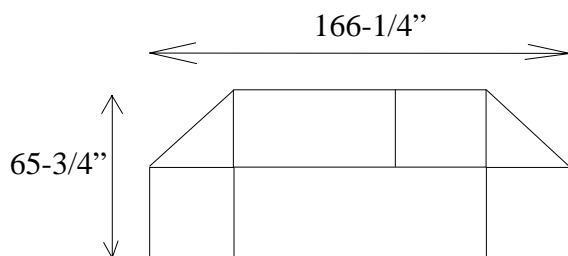


**CDM-2**



**The *ModuFlex Series* circulation desks feature service units with permanently attached work surfaces and finished end panels for maximum re-arrangement.**

The service units shown are featured as our most popular units in this series. Nearly every circulation desk we've produced include the service units shown. These popular units are a book return with depressible truck, a corner unit, a double patron unit with an optional pencil drawer and pedestal, an open shelf unit, and a cupboard unit. When arranged the desks form either in a "U" shape or a "L" shape depending on the total number of service units ordered. If you desire a service unit that is not shown here then you can choose from the many others that follow.



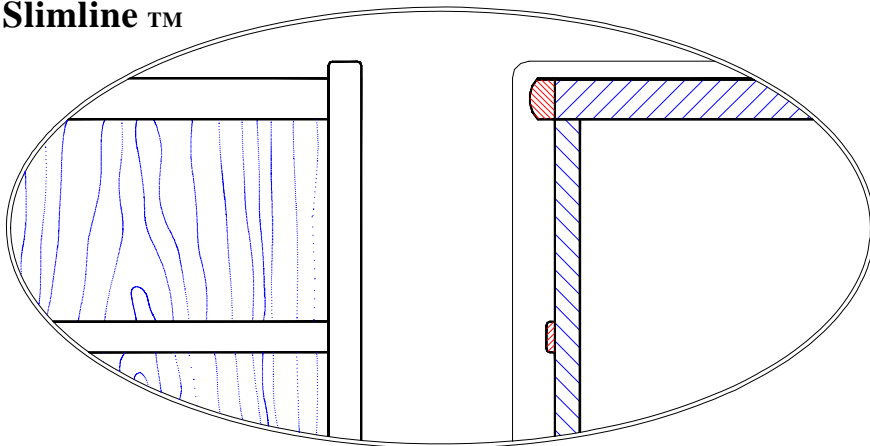
### ModuFlex Series Trim Packages

These trim packages for the Ultima Series give you a wide range of design and cost options.

Ordering a trim package is simple.

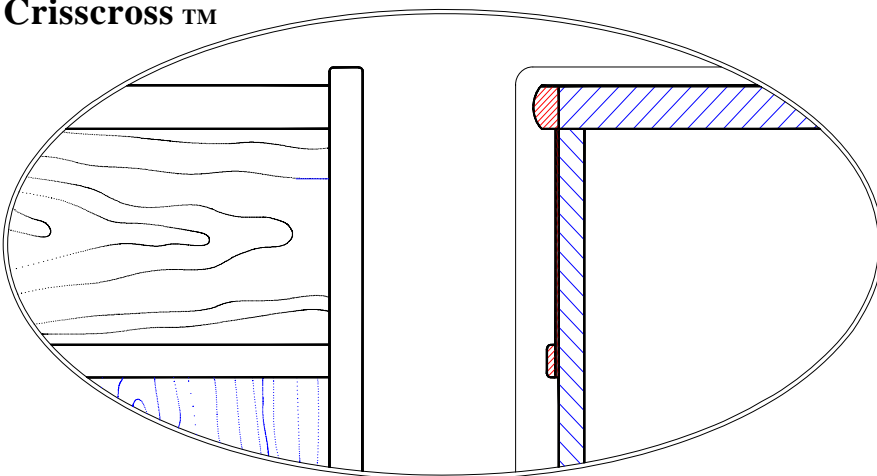
1. Select the ModuFlex service units you desire in your circulation desk arrangement.
2. Determine the total number of single width or small corner units, multiply by selected package upcharge.
3. Determine the total number of double or larger corner units, multiply by selected package upcharge.
4. Add the total single and double widths to determine the total trim package upcharge.

#### Slimline™

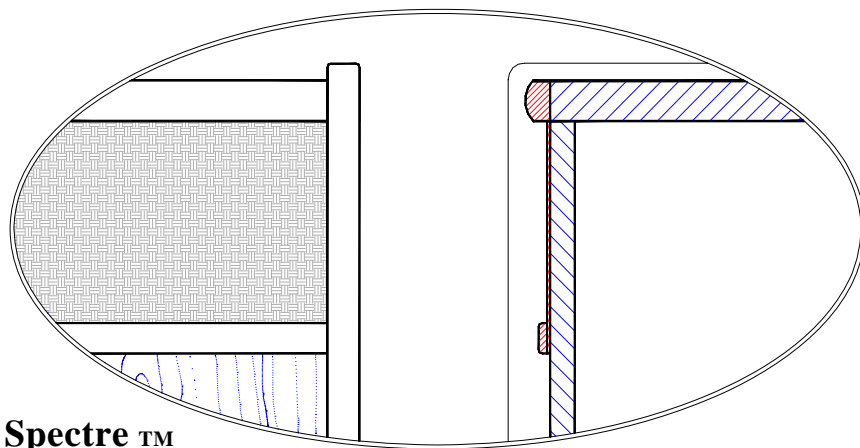


The Slimline package adds a solid red oak trim molding which is placed on the modesty (patron) panel and captured by the end panel. The molding is located 6" inches from the top. The molding is 15/16"W x 1/4" thick with 1/8" radius on the edges. Trim will be finished to match.

#### Crisscross™



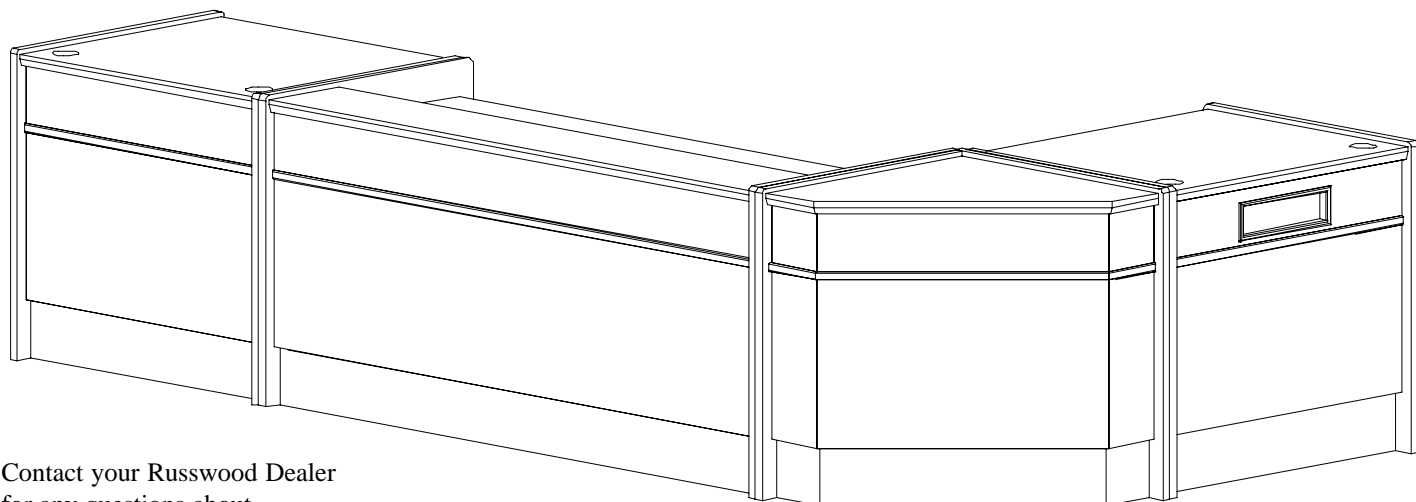
The Crisscross package adds an accent of 6"W red oak veneer placed horizontally to the modesty panel and captured by the end panels. The trim molding is the Slimline profile 15/16"W x 1/4" thick with 1/8" radius on the edges. Veneer and trim will be finished to match.



**Spectre™**

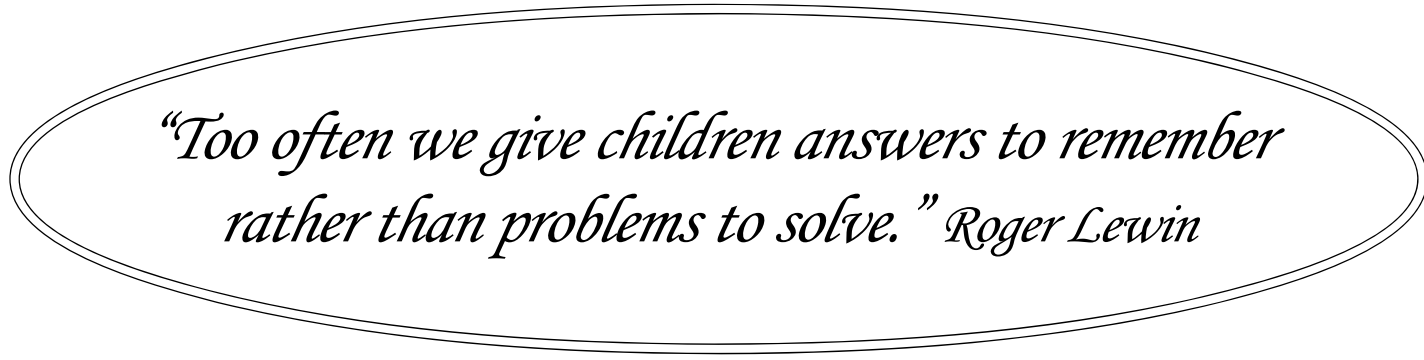
The Spectre package adds an accent of 6"W HPL laminate of your choice to the modesty panel and captured by the end panels. The trim molding is 15/16"W x 1/4" thick with 1/8" radius on the edges. Trim will be finished to match.

NOTE: Laminate pattern selection may be different than work surface choice. Laminate selection should also specify if laminate pattern is perpendicular or parallel to veneer grain.



Contact your Russwood Dealer for any questions about Circ. Desk Trim Packages.

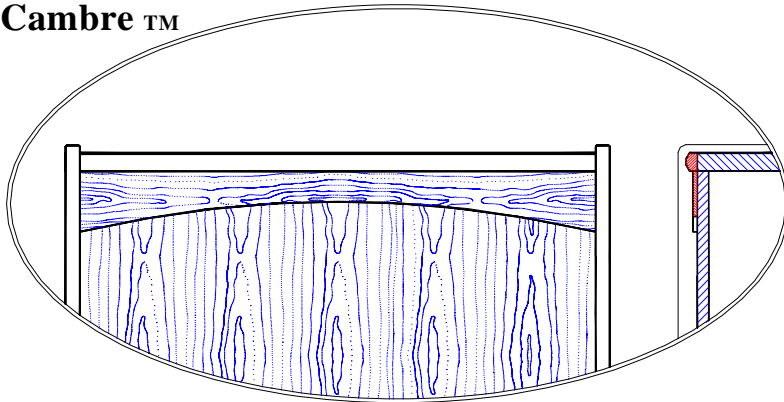
| Catalog # | Description                                 | Single W" unit upcharge \$                   | Double"W unit upcharge \$ |
|-----------|---|--|---------------------------|
| SLM-1     | Slimline Trim Package for ModuFlex Series   |  |                           |
| CCM-1     | Crisscross Trim Package for ModuFlex Series |  |                           |
| SPM-1     | Spectre Trim Package for ModuFlex Series    |  |                           |
|           | <b>To figure upcharge:</b>                  | # 36"W units (x) upcharge per unit =         |                           |
|           |   | # 72"W units (x) upcharge per unit = + _____ |                           |
|           |   | Total upcharge \$                            |                           |



*"Too often we give children answers to remember rather than problems to solve." Roger Lewin*

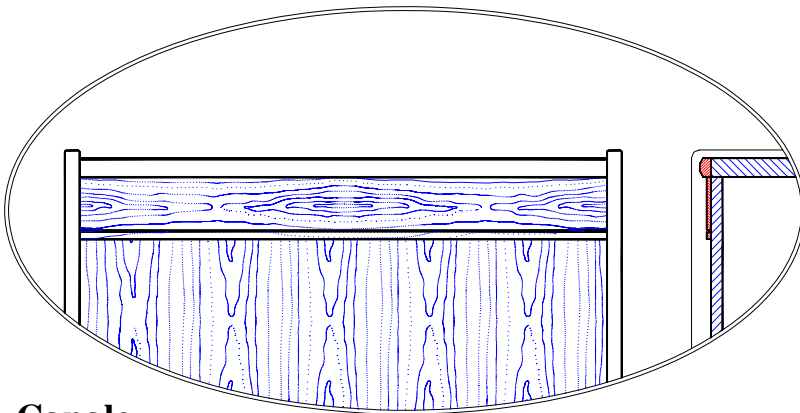
## Circulation Desks

### Cambre™



The Cambre package adds a 4"W x 1/4"T solid red oak trim with an arch on the bottom edges. The trim is added at the top of the modesty panel and is captured by the end panels. Arched trim will finished to match.

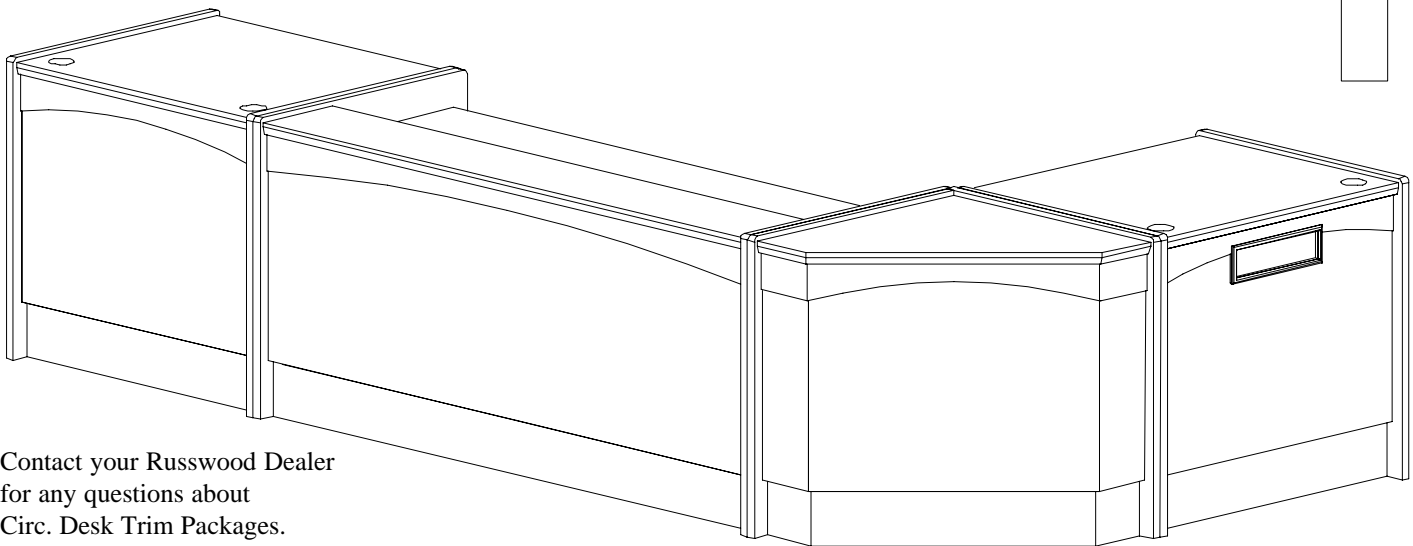
NOTE: This package is not available on radiused desk or corner units.



The Canale package adds a 4"W x 1/4"T solid red oak trim with a 1/8" x 1/8" reveal located 3/4" from the bottom of the trim. Reveal will be finished flat black. The trim is added at the top of the modesty panel and is captured by the end panels. Trim will be finished to match.

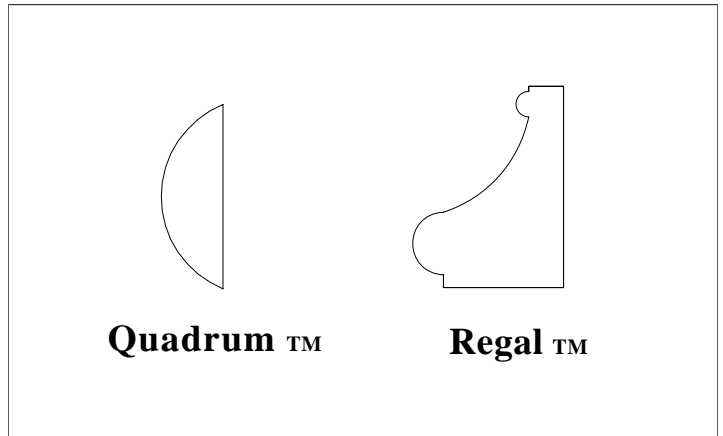
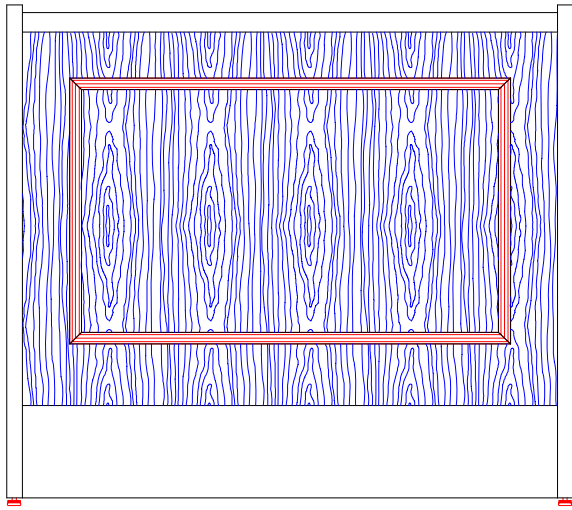
NOTE: This package is not available on radiused desk or corner units.

### Canale™



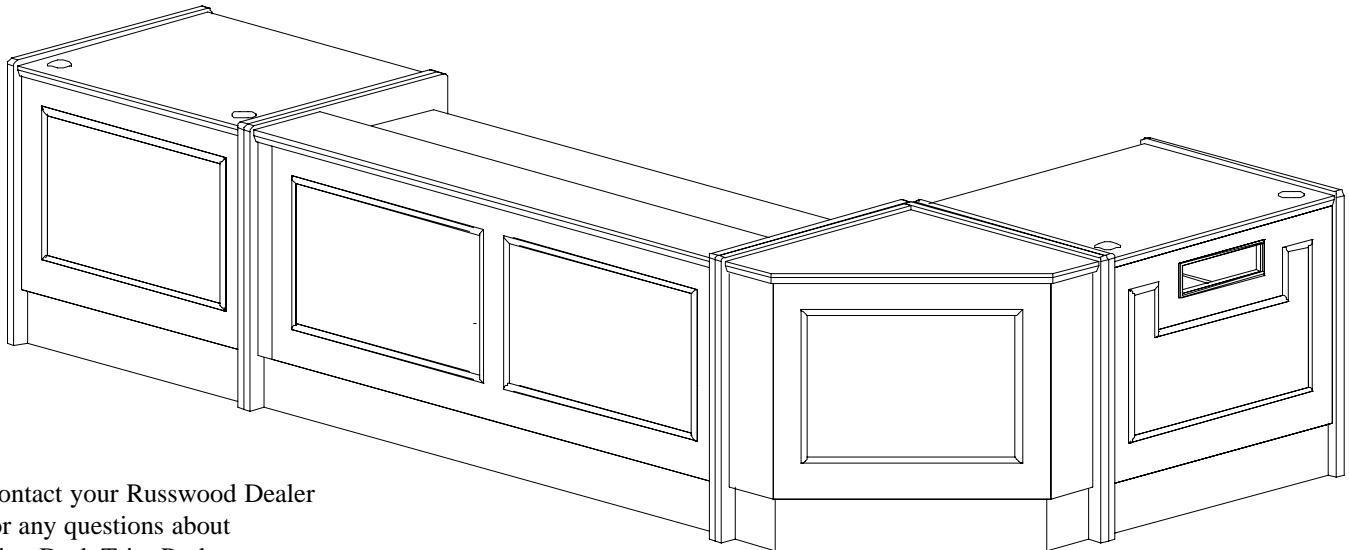
Contact your Ruswood Dealer for any questions about Circ. Desk Trim Packages.

| Catalog # | Description                             | Single W" per unit upcharge                  | Double W unit upcharge \$ |
|-----------|---|--|---------------------------|
| CBM -1    | Cambre Trim Package for ModuFlex Series |  |                           |
| CLM-1     | Canale Trim Package for ModuFlex Series |  |                           |
|           | <b>To figure upcharge:</b>              | # 36"W units (x) upcharge per unit =         |                           |
|           |   | # 72"W units (x) upcharge per unit = + _____ |                           |
|           |   | Total upcharge \$                            |                           |



The Quadrum and Regal packages can be applied to any flat modesty panel or end panel. The treatment forms a rectangle that is about 3" from all edges. The trim package comes with the choice of two moldings. The Quantum and Regal edge details of these two moldings can be seen above. Note: this treatment is not available on radius units. On 36" circulation desks the modesty panels receives one such rectangle while a 72" unit would receive two such rectangles

NOTE: The Quadrum and Regal packages are not available on radiused desk or corner units.



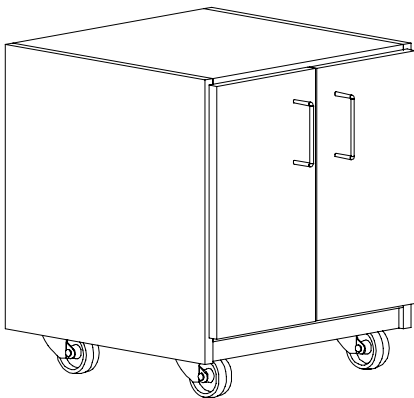
Contact your Russwood Dealer for any questions about Circ. Desk Trim Packages.

| Catalog # | Description                              | Single W" unit upcharge                      | Double W" unit upcharge |
|-----------|--|--|-------------------------|
| QDM-1     | Quadrum Trim Package for ModuFlex Series |  |                         |
| RGM -1    | Regal Trim Package for ModuFlex Series   |  |                         |
|           | <b>To figure upcharge:</b>               | # 36"W units (x) upcharge per unit =         |                         |
|           |  | # 72"W units (x) upcharge per unit = + _____ |                         |
|           |  | Total upcharge \$                            |                         |

## For the ultimate in versatility...

Combine any of our desk units in this series with any of the following mobile units.

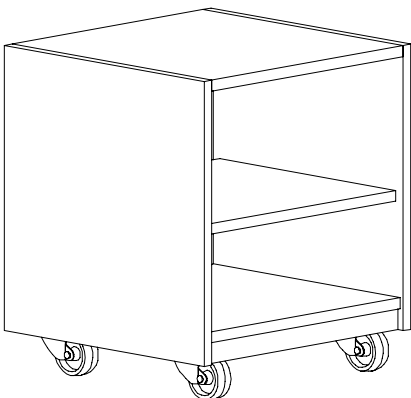
Combining mobile units and desk units allows you to change the function of any of your circulation desk work stations at a moment's notice. Units with permanent features can be used with desks that use mobile units.



### Mobile Cupboard Unit

This unit is supplied with two (2) shelves for the adult height and one (1) shelf for the elementary height. The back is supplied with grommets for wire management.

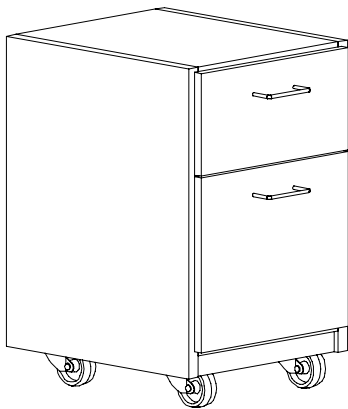
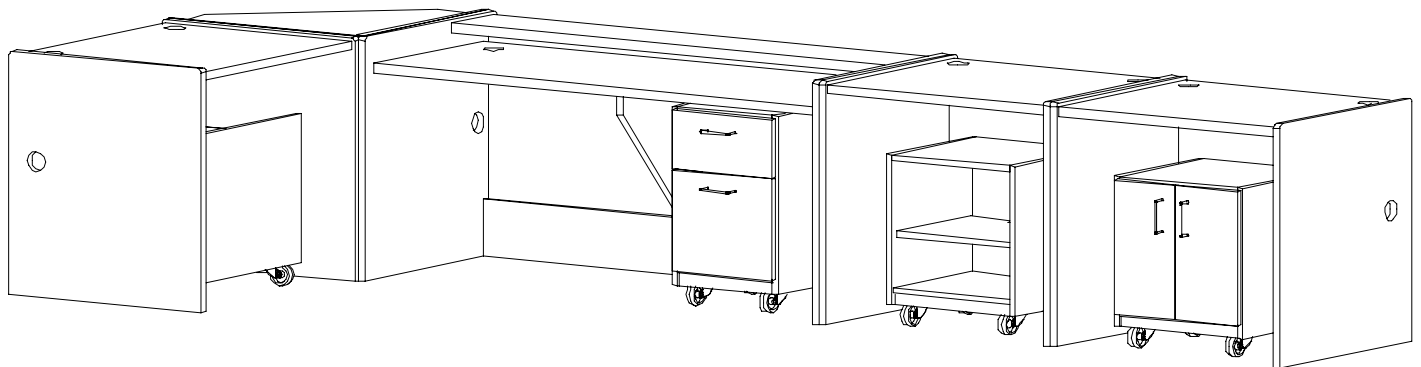
| Catalog # | Description       | Height" | Width" | Depth" | Price |
|-----------|-------------------|---------|--------|--------|-------|
| A-27      | Elementary height | 26      | 25     | 20     |       |
| A-28      | Adult height      | 36      | 25     | 20     |       |



### Mobile Open Shelf Unit

This unit is supplied with two (2) shelves for the adult height and one (1) shelf for the elementary height. The back is supplied with grommets for wire management.

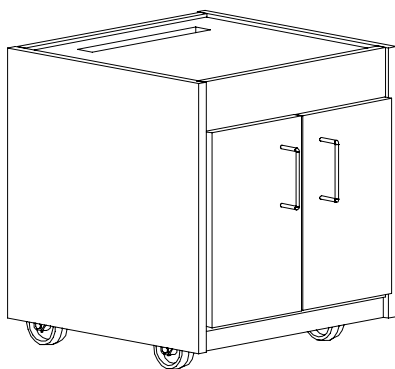
| Catalog # | Description       | Height" | Width" | Depth" | Price |
|-----------|-------------------|---------|--------|--------|-------|
| A-29      | Elementary height | 26      | 25     | 20     |       |
| A-30      | Adult height      | 30      | 25     | 20     |       |



**Mobile File Cabinet**

The elementary height unit is supplied with (1) box and (1) file drawer. The intermediate height unit is supplied with (2) boxes and (1) file. The adult height unit is supplied with (1) box drawer and (2) file drawers. The box drawer is 14-7/8”W x 18”D x 5-1/4”H. The file drawer is 14-7/8”W x 18”D x 10-1/2”H. The unit is counterbalanced so that it does not tip over under normal use when the file drawer is opened.

| Catalog # | Description         | Height" | Width" | Depth" | Price |
|-----------|---------------------|---------|--------|--------|-------|
| A-23      | Elementary height   | 25      | 17     | 19     |       |
| A-23A     | Intermediate height | 31      | 17     | 19     |       |
| A-23B     | Adult height        | 36      | 17     | 19     |       |

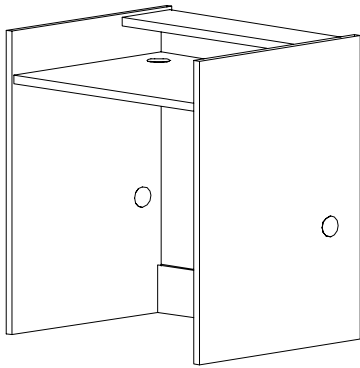


**Mobile Printer Stand**

Unit end panels are constructed of 1”T red oak veneer plywood. All other components are constructed with 3/4”T red oak veneer plywood. Unit is supplied with one (1) adjustable shelf and one (1) base shelf. The shelf is 22-13/4”W x 17”D x 3/4”T. Adj. Shelf is notched for wiring management. All exposed edges are edgebanded with 1/4”T solid red oak. Doors have satin chrome pulls. The bottom is supplied with a grommet for wire management. Wheels are 210 lbs rated ball-bearing swivel casters. The top is removable and is slotted for printer paper.

| Catalog # | Description      | Height" | Width" | Depth" | Price |
|-----------|------------------|---------|--------|--------|-------|
| A-24      | Universal height | 21      | 21     | 19     |       |

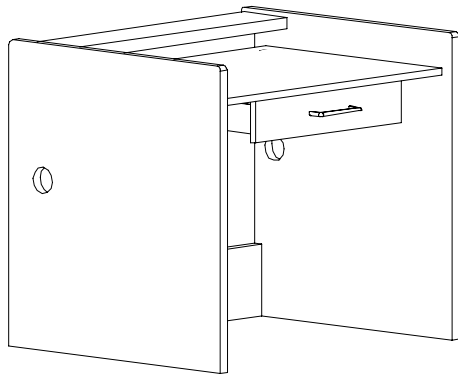
Circulation Desks



**Patron Desk Unit**

Inside dimensions are 34"W x 27-1/2"D. Units will have a work surface height of 29". All units will have a recessed work surface measuring 34"W x 27-1/2"D at a height of 29". Patron ledge is 6" deep. A grommet will be located in the center at the rear of the work surface unless otherwise specified.

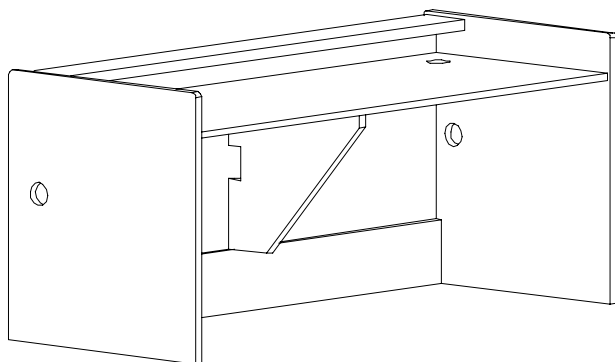
| Catalog # | Description         | Height" | Width" | Depth" | Price |
|-----------|---------------------|---------|--------|--------|-------|
| CDM-3202  | Elementary Height   | 32      | 36     | 30     |       |
| CDM-3902  | Intermediate Height | 39      | 36     | 30     |       |
| CDM-4202  | Adult Height        | 42      | 36     | 30     |       |



**Patron Desk With Pencil Drawer Unit**

Inside dimensions are 34"W x 27-1/2"D. All units will have a recessed work surface measuring 34"W x 27-1/2"D at a height of 29". Patron ledge is 6" deep. A grommet will be located in the center at the rear of the work surface unless otherwise specified. A pencil drawer will be centered under the work surface and will measure 18"W x 14-7/8"D x 3"H.

| Catalog # | Description         | Height" | Width" | Depth" | Price |
|-----------|---------------------|---------|--------|--------|-------|
| CDM-3235  | Elementary Height   | 32      | 36     | 30     |       |
| CDM-3935  | Intermediate Height | 39      | 36     | 30     |       |
| CDM-4235  | Adult Height        | 42      | 36     | 30     |       |

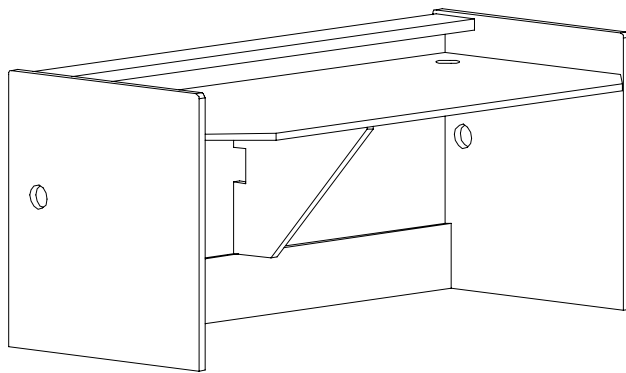


**Double-Width Patron Desk Unit**

Inside dimensions are 70"W x 27-1/2"D. All units will have a work surface height of 29". Patron ledge is 6" deep. Work surface is 70"W x 27-1/2"D. Two (2) grommets will be located at the rear of the work surface on each side unless otherwise specified. The work surface will be supported at midspan with a 1" thick stiffknee that rests on top of the toe board.

| Catalog # | Description         | Height" | Width" | Depth" | Price |
|-----------|---------------------|---------|--------|--------|-------|
| CDM-3203  | Elementary Height   | 32      | 72     | 30     |       |
| CDM-3903  | Intermediate Height | 39      | 72     | 30     |       |
| CDM-4203  | Adult Height        | 42      | 72     | 30     |       |

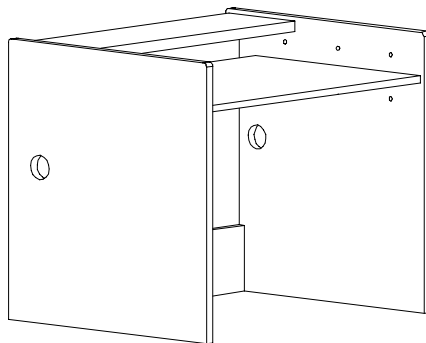




**Double-Width Extended Work Surface Patron Desk Unit**

Inside dimensions are 70"W x 27-1/2"D. All units will have a work surface height of 29". Patron ledge is 6" deep. Two (2) grommets will be located at the rear of the work surface on each side unless otherwise specified. The work surface will be supported at midspan with a 1" thick stiffknee that rests on top of the toe board. Work surface is 70"W x 30"D.

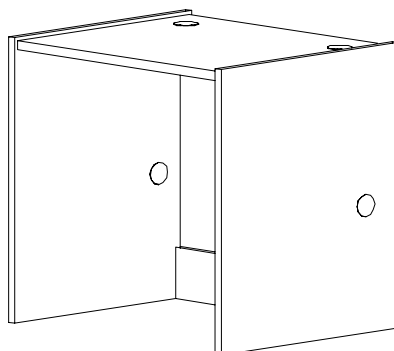
| Catalog #   | Description         | Height" | Width" | Depth" | Price |
|-------------|---------------------|---------|--------|--------|-------|
| CDM-3203-EW | Elementary Height   | 32      | 72     | 32     |       |
| CDM-3903-EW | Intermediate Height | 39      | 72     | 32     |       |
| CDM-4203-EW | Adult Height        | 42      | 72     | 32     |       |



**Patron Desk with adjustable work surface**

This unit provides a 6"D patron ledge. The work surface is adjustable to accommodate a variety of possible needs. On the adult height unit, the work surface possibilities are 29"H, 32"H, and 39"H. On the intermediate height unit, the work surface possibilities are 27"H, 29"H, and 32"H. On the elementary height unit, the work surface possibilities are 27"H, and 29"H. A grommet will be located in the center at the rear of the work surface unless otherwise specified. Work surface is 34"W x 27-1/2"D.

| Catalog # | Description         | Height" | Width" | Depth" | Price |
|-----------|---------------------|---------|--------|--------|-------|
| CDM-3248  | Elementary Height   | 32      | 36     | 30     |       |
| CDM-3948  | Intermediate Height | 39      | 36     | 30     |       |
| CDM-4248  | Adult Height        | 42      | 36     | 30     |       |

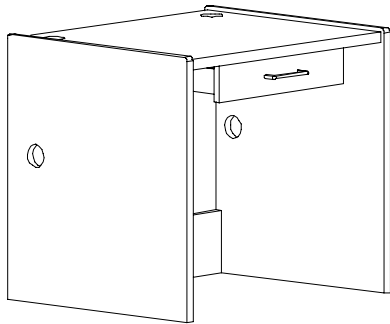


**Desk Unit**

Each unit will have inside dimensions of 34"W x 27-1/2"D. Two (2) grommets will be located at the rear of the work surface on each side unless otherwise specified.

| Catalog # | Description         | Height" | Width" | Depth" | Price |
|-----------|---------------------|---------|--------|--------|-------|
| CDM-3234  | Elementary Height   | 32      | 36     | 30     |       |
| CDM-3934  | Intermediate Height | 39      | 36     | 30     |       |
| CDM-4234  | Adult Height        | 42      | 36     | 30     |       |

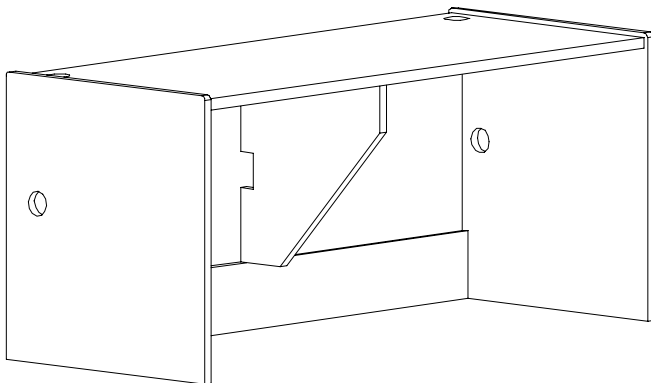
Circulation Desks



**Desk Unit With Pencil Drawer**

Each Unit will have an inside dimension of 34"W x 27-1/2"D. A grommet will be located near each edge of the unit unless otherwise specified. A pencil drawer will be located underneath the middle of the work surface and will measure 18"W x 14-7/8"D x 3"H.

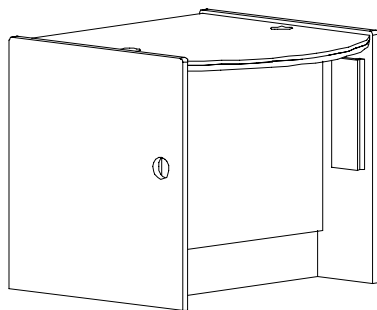
| Catalog # | Description         | Height" | Width" | Depth" | Price |
|-----------|---------------------|---------|--------|--------|-------|
| CDM-3247  | Elementary Height   | 32      | 36     | 30     |       |
| CDM-3947  | Intermediate Height | 39      | 36     | 30     |       |
| CDM-4247  | Adult Height        | 42      | 36     | 30     |       |



**Double Width Desk Unit**

Each Unit will have an inside dimension of 70"W x 27-1/2"D. This unit will be supplied with two (2) grommets located at each end of the work surface unless otherwise specified. The work surface will be supported at midspan with a 1" thick stiffknee that rests on top of the toe board.

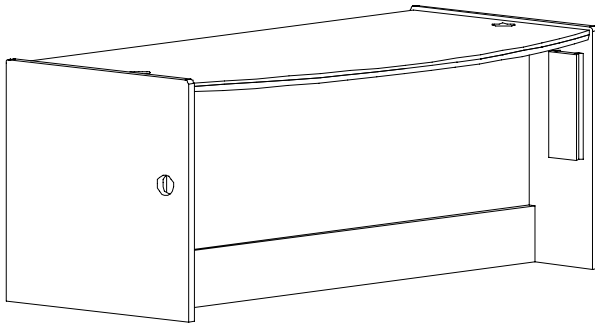
| Catalog # | Description         | Height" | Width" | Depth" | Price |
|-----------|---------------------|---------|--------|--------|-------|
| CDM-3253  | Elementary Height   | 32      | 72     | 30     |       |
| CDM-3953  | Intermediate Height | 39      | 72     | 30     |       |
| CDM-4253  | Adult Height        | 42      | 72     | 30     |       |



**ADA Transaction Unit**

The unit will have modesty panel mounted along the midline. The modesty panel is recessed from the patron side to provide room for wheelchair access. This unit will be supplied with two (2) grommets located at each end of the work surface unless otherwise specified. A wire chase is supplied to ensure wire concealment.

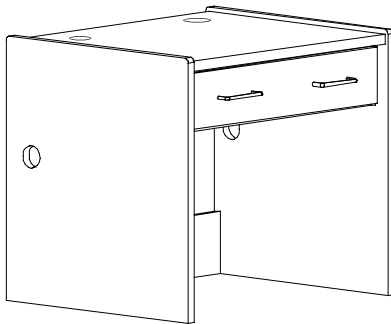
| Catalog # | Description                   | Height" | Width" | Depth" | Price |
|-----------|-------------------------------|---------|--------|--------|-------|
| CDM-3220  | ADA 32"H - use of all heights | 32      | 36     | 36     |       |



**Double-Width ADA Transaction Unit**

The unit will have modesty panel mounted along the midline. The modesty panel is recessed from the patron side to provide room for wheelchair access. This unit will be supplied with two (2) grommets located at each end of the work surface unless otherwise specified. A wire chase is supplied to ensure wire concealment.

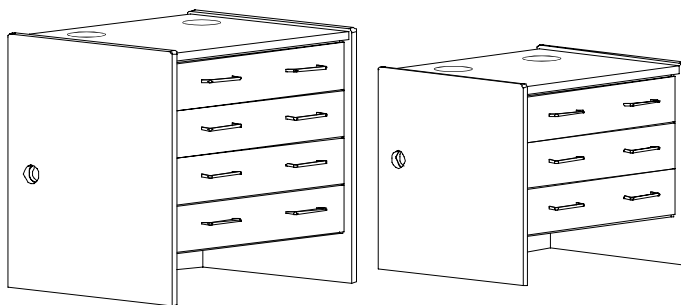
| Catalog # | Description          | Height" | Width" | Depth" | Price |
|-----------|----------------------|---------|--------|--------|-------|
| CDM-3221  | ADA max height 32" H | 32      | 72     | 36     |       |



**Single Drawer Knee Space Unit**

The inside dimensions of the unit are 34"W x 27-1/2"D. The unit is supplied with a 31-1/2"W x 18"D x 5-1/4"H drawer. This unit will be supplied with two (2) grommets located at each end of the work surface unless otherwise specified.

| Catalog # | Description         | Height" | Width" | Depth" | Price |
|-----------|---------------------|---------|--------|--------|-------|
| CDM-3236  | Elementary Height   | 32      | 36     | 30     |       |
| CDM-3936  | Intermediate Height | 39      | 36     | 30     |       |
| CDM-4236  | Adult Height        | 42      | 36     | 30     |       |



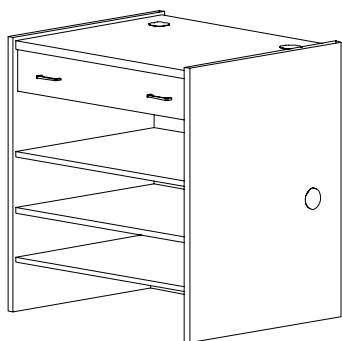
Shown Adult & Elementary

**Single Drawer Stack Unit**

This unit will consist of a stack of full width drawers 31-1/2"W x 18"D x 5-1/4"H. The adult and intermediate height units will receive four (4) drawers and the elementary unit will receive three (3) drawers. This unit will be supplied with two (2) grommets located at each end of the work surface unless otherwise specified.

| Catalog # | Description         | Height" | Width" | Depth" | Price |
|-----------|---------------------|---------|--------|--------|-------|
| CDM-3222  | Elementary Height   | 32      | 36     | 30     |       |
| CDM-3922  | Intermediate Height | 39      | 36     | 30     |       |
| CDM-4222  | Adult Height        | 42      | 36     | 30     |       |

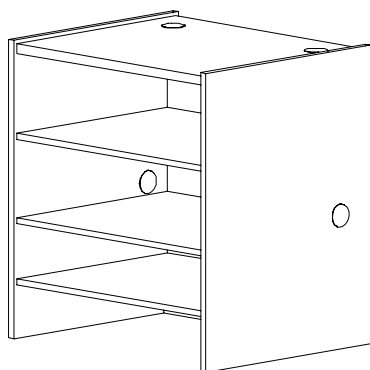
Circulation Desks



**Single Drawer Open Shelf Unit**

Unit is supplied with a full-width, 31-1/2"W x 18"D x 5-1/4"H drawer over open shelving. Adult and intermediate units are supplied with two full-depth, adjustable shelves. The elementary height unit is supplied with one full-depth, adjustable shelf. This unit will be supplied with two (2) grommets located at each end of the work surface unless otherwise specified. The shelf is 32-1/4"W x 23"D x 3/4"T

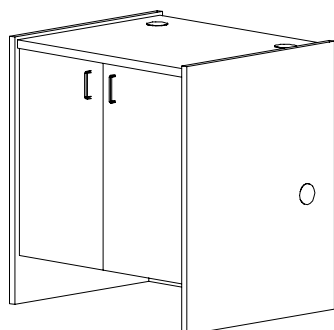
| Catalog # | Description         | Height" | Width" | Depth" | Price |
|-----------|---------------------|---------|--------|--------|-------|
| CDM-3246  | Elementary Height   | 32      | 36     | 30     |       |
| CDM-3946  | Intermediate Height | 39      | 36     | 30     |       |
| CDM-4246  | Adult Height        | 42      | 36     | 30     |       |



**Open Shelf Unit**

Adult and Intermediate height units will be supplied with two full-depth, adjustable shelves. Elementary height units will be supplied with one shelf. This unit will be supplied with two (2) grommets located at each end of the work surface unless otherwise specified. The shelf is 32-1/4"W x 23"D x 3/4"T

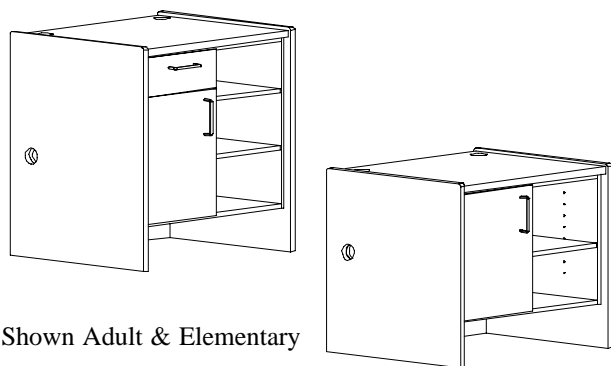
| Catalog # | Description         | Height" | Width" | Depth" | Price |
|-----------|---------------------|---------|--------|--------|-------|
| CDM-3208  | Elementary Height   | 32      | 36     | 30     |       |
| CDM-3908  | Intermediate Height | 39      | 36     | 30     |       |
| CDM-4208  | Adult Height        | 42      | 36     | 30     |       |



**Cupboard Unit**

Adult and Intermediate height units are supplied with two full-depth, adjustable shelves. Elementary height units will be supplied with one shelf. Hinged doors will have a lock and door pulls. This unit will be supplied with two (2) grommets located at each end of the work surface unless otherwise specified. The shelf is 32-1/4"W x 23"D x 3/4"T

| Catalog # | Description         | Height" | Width" | Depth" | Price |
|-----------|---------------------|---------|--------|--------|-------|
| CDM-3210  | Elementary Height   | 32      | 36     | 30     |       |
| CDM-3910  | Intermediate Height | 39      | 36     | 30     |       |
| CDM-4210  | Adult Height        | 42      | 36     | 30     |       |

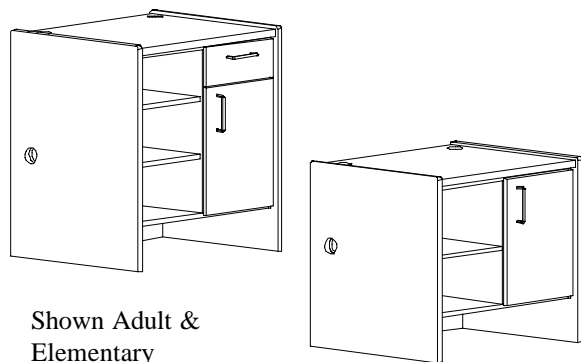


Shown Adult & Elementary

### Left Cupboard Open Shelf Unit

On the left side, the adult and intermediate units will be supplied with a locking box drawer and a cupboard space with two (2) adjustable shelves. The elementary unit will be supplied with a cupboard unit with (1) adj. shelf. The right side of the unit will be open adj. shelving. The adult and intermediate height units will be supplied with (2) adj. shelves, and the elementary height unit will be supplied with (1) adj. shelf. This unit will be supplied with (2) grommets located at each end of the work surface unless otherwise specified. The shelf is 15-5/8"W x 23"D x 3/4"T. The box drawer is 14-7/8"W x 18"D x 5-1/4"H.

| Catalog # | Description         | Height" | Width" | Depth" | Price |
|-----------|---------------------|---------|--------|--------|-------|
| CDM-3242  | Elementary Height   | 32      | 36     | 30     |       |
| CDM-3942  | Intermediate Height | 39      | 36     | 30     |       |
| CDM-4242  | Adult Height        | 42      | 36     | 30     |       |

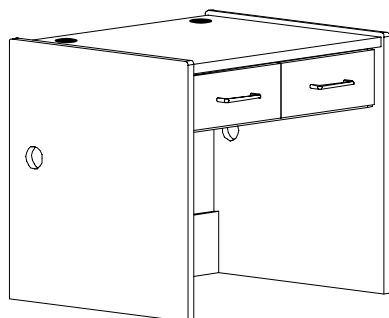


Shown Adult & Elementary

### Right Cupboard Open Shelf Unit

On the right side, the adult and intermediate units will be supplied with a locking box drawer and a cupboard space with two (2) adjustable shelves. The elementary unit will be supplied with a cupboard unit with (1) adj. shelf. The left side of the unit will be open adj. shelving. The adult and intermediate height units will be supplied with (2) adj. shelves, and the elementary height unit will be supplied with (1) adj. shelf. This unit will be supplied with (2) grommets located at each end of the work surface unless otherwise specified. The shelf is 15-5/8"W x 23"D x 3/4"T. The box drawer is 14-7/8"W x 18"D x 5-1/4"H.

| Catalog # | Description         | Height" | Width" | Depth" | Price |
|-----------|---------------------|---------|--------|--------|-------|
| CDM-3243  | Elementary Height   | 32      | 36     | 30     |       |
| CDM-3943  | Intermediate Height | 39      | 36     | 30     |       |
| CDM-4243  | Adult Height        | 42      | 36     | 30     |       |

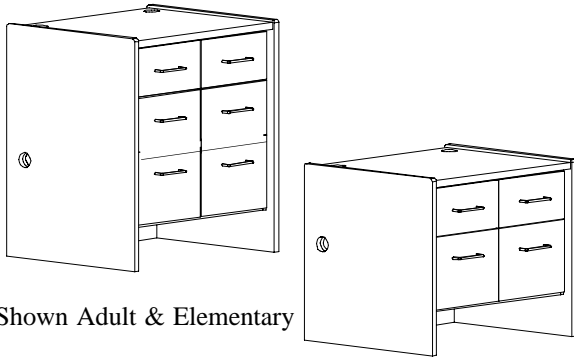


### Double Drawer Knee Space Unit

Each unit is supplied with two (2) lockable equal-width drawers each measuring 14-7/8"W x 18"D x 5-1/4"H. Inside measures 34"W x 27-1/2"D. This unit will be supplied with two (2) grommets located at each end of the work surface unless otherwise specified.

| Catalog # | Description         | Height" | Width" | Depth" | Price |
|-----------|---------------------|---------|--------|--------|-------|
| CDM-3209  | Elementary Height   | 32      | 36     | 30     |       |
| CDM-3909  | Intermediate Height | 39      | 36     | 30     |       |
| CDM-4209  | Adult Height        | 42      | 36     | 30     |       |

Circulation Desks

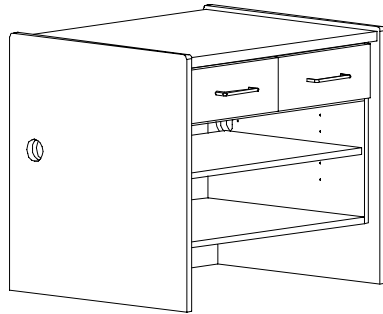


Shown Adult & Elementary

**Double Drawer Stack Unit**

This unit consist of a double stack of drawers. The adult height unit takes four (4) files drawers and two (2) box drawers. The intermediate unit takes four (4) file drawers. The elementary takes two (2) file drawers and two (2) box drawers. The box drawer is 14-7/8"W x 18"D x 5-1/4"H. The file drawer is 14-7/8"W x 18"D x 10.5"H. Supplied with two (2) grommets located at each end of the work surface unless otherwise specified.

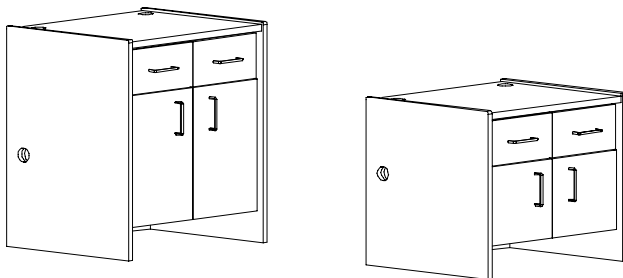
| Catalog # | Description         | Height" | Width" | Depth" | Price |
|-----------|---------------------|---------|--------|--------|-------|
| CDM-3229  | Elementary Height   | 32      | 36     | 30     |       |
| CDM-3929  | Intermediate Height | 39      | 36     | 30     |       |
| CDM-4229  | Adult Height        | 42      | 36     | 30     |       |



**Double-Drawer Open Shelf Unit**

Each unit is supplied with two equal-width locking drawers, each measuring 14-7/8"W x 18"D x 5-1/4"H over open shelving. Adult and Intermediate height units will be supplied with two full-depth adjustable shelves. Elementary height units will be supplied with one shelf. The shelf is 32-1/4"W x 23"D x 3/4"T. Supplied with two (2) grommets located at each end of the work surface unless otherwise specified.

| Catalog # | Description         | Height" | Width" | Depth" | Price |
|-----------|---------------------|---------|--------|--------|-------|
| CDM-3237  | Elementary Height   | 32      | 36     | 30     |       |
| CDM-3937  | Intermediate Height | 39      | 36     | 30     |       |
| CDM-4237  | Adult Height        | 42      | 36     | 30     |       |

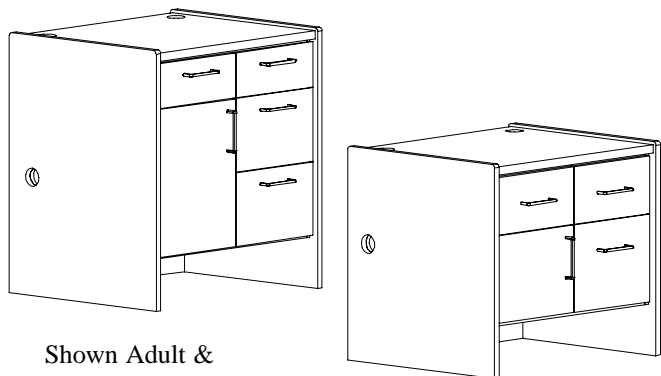


Shown Adult & Elementary

**Double Drawer Cupboard Unit**

Unit is supplied with two equal width box drawers, each measuring 14-7/8"W x 18"D x 5-1/4"H. These drawers are mounted over the cupboard storage space. Adult and Intermediate units have 2 adjustable shelves. Elementary unit has 1 adjustable shelf. The shelf is 34-1/4"W x 23"D x 3/4"T. Supplied with two (2) grommets located at each end of the work surface unless otherwise specified.

| Catalog # | Description         | Height" | Width" | Depth" | Price |
|-----------|---------------------|---------|--------|--------|-------|
| CDM-3238  | Elementary Height   | 32      | 36     | 30     |       |
| CDM-3938  | Intermediate Height | 39      | 36     | 30     |       |
| CDM-4238  | Adult Height        | 42      | 36     | 30     |       |

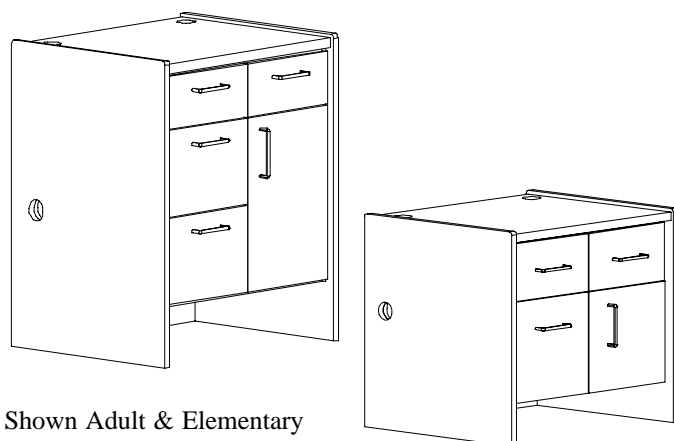


Shown Adult & Elementary

**Double Drawer, Left Cupboard & File Unit**

The left side all heights will have (1) locking box drawer over a cupboard storage area. On the right side, the adult height unit will have (1) locking box drawer, two (2) file drawers, the intermediate will have (2) file drawers, and the elementary will have (1) locking box drawer and (1) file drawer. The adult and intermediate will have (2) adjustable shelves and the elementary will have (1) adjustable shelf. The box drawers are 14-7/8"W x 18"D x 5-1/4"H. The file drawers are 14-7/8"W x 18"D x 10-1/2"H. The shelf is 15-5/8"W x 23"D x 3/4"T. Supplied with (2) grommets located at each end of the work surface unless otherwise specified.

| Catalog # | Description         | Height" | Width" | Depth" | Price |
|-----------|---------------------|---------|--------|--------|-------|
| CDM-3254  | Elementary Height   | 32      | 36     | 30     |       |
| CDM-3954  | Intermediate Height | 39      | 36     | 30     |       |
| CDM-4254  | Adult Height        | 42      | 36     | 30     |       |



Shown Adult & Elementary

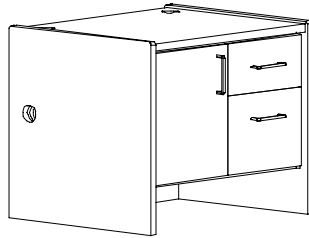
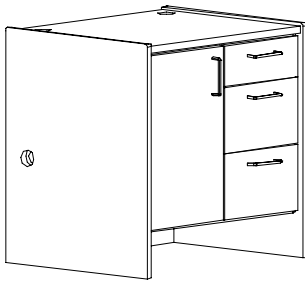
**Double Drawer, Right Cupboard & File Unit**

The right side all heights will have (1) locking box drawer over a cupboard storage area. On the left side, the adult height unit will have one (1) locking box drawer, (2) file drawers, the intermed. will have (2) file drawers, and the elementary will have (1) locking box drawer and (1) file drawer. The adult & intermed. will have (2) adjustable shelves and the elementary will have (1) adjustable shelf. The box drawers are 14-7/8"W x 18"D x 5-1/4"H. The file drawers are 14-7/8"W x 18"D x 10-1/2"H. The shelf is 15-5/8"W x 23"D x 3/4"T. Supplied with (2) grommets located at each end of the work surface unless otherwise specified.

| Catalog # | Description         | Height" | Width" | Depth" | Price |
|-----------|---------------------|---------|--------|--------|-------|
| CDM-3241  | Elementary Height   | 32      | 36     | 30     |       |
| CDM-3941  | Intermediate Height | 39      | 36     | 30     |       |
| CDM-4241  | Adult Height        | 42      | 36     | 30     |       |

*“The only person who is educated is the one who has learned how to learn...”*  
*Carl R. Rogers*

## Circulation Desks

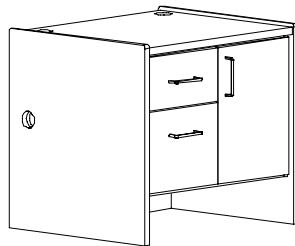
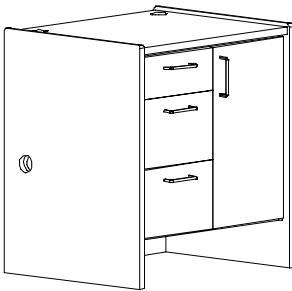


Shown Adult & Elementary

### File Drawer *Left* Cupboard Unit

The cupboard unit will be on the left side, the drawer stack will be on the right side. Each adult height unit will have (1) box drawer, (2) file drawers and (2) adjustable shelves. Intermed. height units will have (2) file drawers and (2) adjustable shelves. Elem. height units have one (1) box drawer, (1) file drawer and (1) adjustable shelf. The top drawer and cupboard door will receive a lock. The box drawers are 14-7/8"W x 18"D x 5-1/4"H. The file drawers are 14-7/8"W x 18"D x 10-1/2"H. The shelf is 15-5/8"W x 23"D x 3/4"T. This unit will be supplied with (2) grommets located at each end of the work surface unless otherwise specified.

| Catalog # | Description         | Height" | Width" | Depth" | Price |
|-----------|---------------------|---------|--------|--------|-------|
| CDM-3240  | Elementary height   | 32      | 36     | 30     |       |
| CDM-3940  | Intermediate height | 39      | 36     | 30     |       |
| CDM-4240  | Adult height        | 42      | 36     | 30     |       |

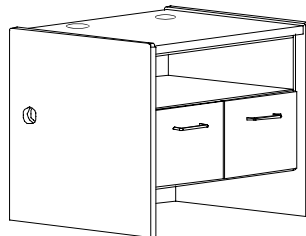
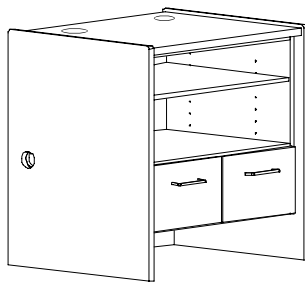


Shown Adult & Elementary

### File Drawer *Right* Cupboard Unit

The drawer stack will be on the left side and the cupboard unit will be on the right side. Each adult height units will have (1) box drawer, (2) file drawers and (2) adjustable shelves. Intermed. height units will have (2) file drawers and (2) adjustable shelves. Elem. height units have (1) box drawer, (1) file drawer and (1) adjustable shelf. The top drawer and cupboard door will receive a lock. The box drawers are 14-7/8"W x 18"D x 5-1/4"H. The file drawers are 14-7/8"W x 18"D x 10-1/2"H. The shelf is 15-5/8"W x 23"D x 3/4"T. This unit will be supplied with (2) grommets located at each end of the work surface unless otherwise specified.

| Catalog # | Description         | Height" | Width" | Depth" | Price |
|-----------|---------------------|---------|--------|--------|-------|
| CDM-3239  | Elementary height   | 32      | 36     | 30     |       |
| CDM-3939  | Intermediate height | 39      | 36     | 30     |       |
| CDM-4239  | Adult height        | 42      | 36     | 30     |       |



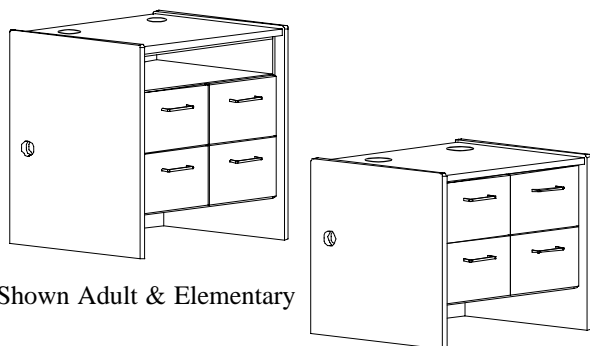
Shown Adult & Elementary

### Two-Drawer File Open Top Shelf Unit

Each unit is an Open Shelf Unit with two letter file drawers. Adult and Intermediate height units are supplied with one full-depth, adjustable shelf. Elementary height units will not have an adjustable shelf. The file drawers are 14-7/8"W x 18"D x 10-1/2"H. The shelf is 15-5/8"W x 23"D x 3/4"T. This unit will be supplied with (2) grommets located at each end of the work surface unless otherwise specified.

| Catalog # | Description         | Height" | Width" | Depth" | Price |
|-----------|---------------------|---------|--------|--------|-------|
| CDM-3214  | Elementary height   | 32      | 36     | 30     |       |
| CDM-3914  | Intermediate height | 39      | 36     | 30     |       |
| CDM-4214  | Adult height        | 42      | 36     | 30     |       |



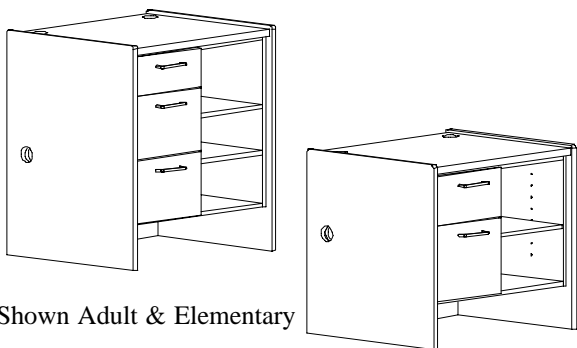


Shown Adult & Elementary

**Four-Drawer File Open Top Shelf Unit**

Each unit is an Open Shelf Unit with four letter file drawers. Adult and Intermediate height units have open storage provided above drawers measuring. Elementary height units will not have open storage. The file drawers are 14-7/8"W x 18"D x 10-1/2"H.

| Catalog # | Description         | Height" | Width" | Depth" | Price |
|-----------|---------------------|---------|--------|--------|-------|
| CDM-3215  | Elementary height   | 32      | 36     | 30     |       |
| CDM-3915  | Intermediate height | 39      | 36     | 30     |       |
| CDM-4215  | Adult height        | 42      | 36     | 30     |       |



Shown Adult & Elementary

**Left File Drawer Open Side Shelf Unit**

The drawer stack will be on the left side and the open shelf will be on the right. Adult units have (1) lockable box drawer, 2 file drawers, and 2 adjustable shelves in the open space. Intermediate units have 2 file drawers and 2 adjustable shelves. Elementary units have 1 box drawer, 1 file drawer and 1 adjustable shelf. The box drawers are 14-7/8"W x 18"D x 5-1/4"H. The file drawers are 14-7/8"W x 18"D x 10-1/2"H. The shelf is 15-5/8"W x 23"D x 3/4"T

| Catalog # | Description         | Height" | Width" | Depth" | Price |
|-----------|---------------------|---------|--------|--------|-------|
| CDM-3244  | Elementary height   | 32      | 36     | 30     |       |
| CDM-3944  | Intermediate height | 39      | 36     | 30     |       |
| CDM-4244  | Adult height        | 42      | 36     | 30     |       |

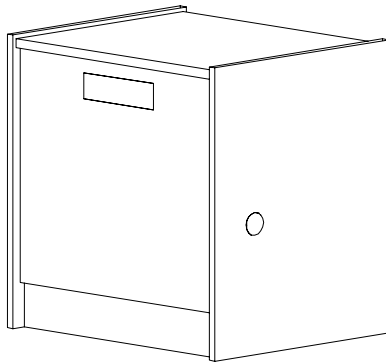


Shown Adult & Elementary

**Right File Drawer Open Side Shelf Unit**

The drawer stack will be on the right side and the open shelf will be on the left. Adult units have (1) lockable box drawer, 2 file drawers, and 2 adjustable shelves in the open space. Intermediate units have 2 file drawers and 2 adjustable shelves. Elementary units have 1 box drawer, 1 file drawer and 1 adjustable shelf. The box drawers are 14-7/8"W x 18"D x 5-1/4"H. The file drawers are 14-7/8"W x 18"D x 10-1/2"H. The shelf is 15-5/8"W x 23"D x 3/4"T

| Catalog # | Description         | Height" | Width" | Depth" | Price |
|-----------|---------------------|---------|--------|--------|-------|
| CDM-3245  | Elementary height   | 32      | 36     | 30     |       |
| CDM-3945  | Intermediate height | 39      | 36     | 30     |       |
| CDM-4245  | Adult height        | 42      | 36     | 30     |       |

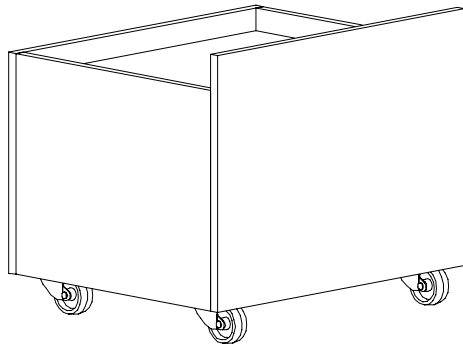


### Book Return Unit

Inside dimensions are 34"W x 27-1/2"D. The front panel will have a 3"H x 12"W book-return slot, fully edgebanded, with an internal wood chute so as to allow gentle deposit of books into book truck. A rear-mounted 3/4"T edgebanded wood book chute allows for the gentle deposit of reading materials. (BT-D39 for adult & intermediate height units or BT-D32 for elementary-height units).

See Mobile Units for Depressible Book Trucks

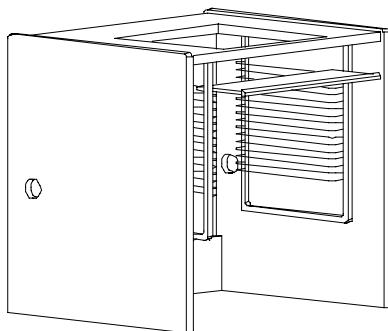
| Catalog # | Description         | Height" | Width" | Depth" | Price |
|-----------|---------------------|---------|--------|--------|-------|
| CDM-3205  | Elementary height   | 32      | 36     | 30     |       |
| CDM-3905  | Intermediate height | 39      | 36     | 30     |       |
| CDM-4205  | Adult height        | 42      | 36     | 30     |       |



### Depressible Book Truck

Each unit will have a depressible platform that will hold approximately 70 books. Each unit will have four 3" swivel casters mounted directly to a 3/4"T red oak veneer plywood bottom using 5/16" dia bolts with are received on the top size of plywood via T-nuts.

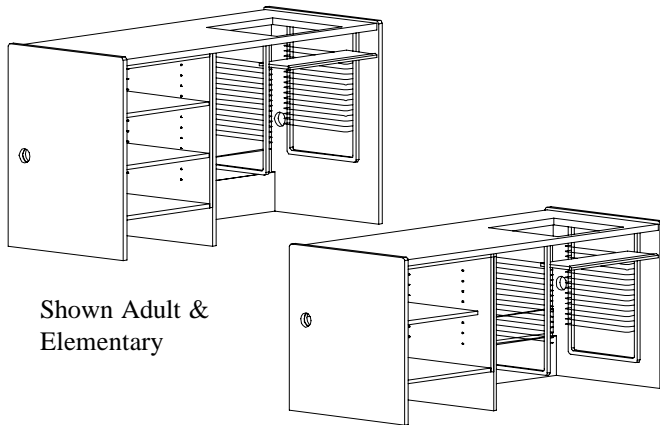
| Catalog # | Description       | Height" | Width" | Depth" | Price |
|-----------|-------------------|---------|--------|--------|-------|
| BT-D32    | Elementary height | 22      | 26     | 22     |       |
| BT-D39    | Adult height      | 29      | 26     | 22     |       |



### NOVA Unit

Each unit will have a NOVA assembly mounted to the underside of the work surface to accommodate a computer monitor, and pullout keyboard tray. A corresponding 18-1/4"L x 18-1/4"W viewport will be machined into the continuous top to accommodate monitor viewing.

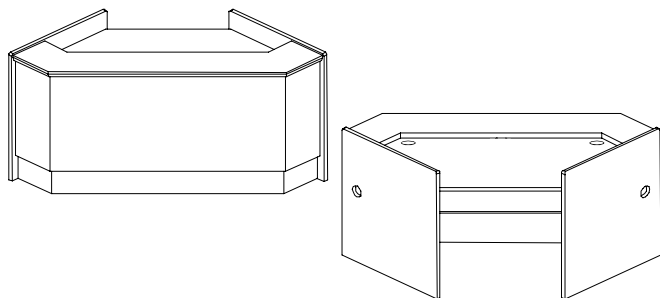
| Catalog # | Description         | Height" | Width" | Depth" | Price |
|-----------|---------------------|---------|--------|--------|-------|
| CDM-3230  | Elementary Height   | 32"     | 36"    | 30"    |       |
| CDM-3930  | Intermediate Height | 39"     | 36"    | 30"    |       |
| CDM-4230  | Adult Height        | 42"     | 36"    | 30"    |       |



**NOVA and Open Shelf Unit**

Each unit will have a NOVA assembly mounted to the underside of the work surface to accommodate a computer monitor, and pullout keyboard tray. A corresponding 18-1/4”L x 18-1/4”W viewport will be machined into the continuous top to accommodate monitor viewing. Each unit will also have adjustable shelves measuring 23-3/4”W x 27-1/2”D. Adult and Intermediate height units will have two (2) adjustable shelves and elementary height units will have one (1) adjustable shelf.

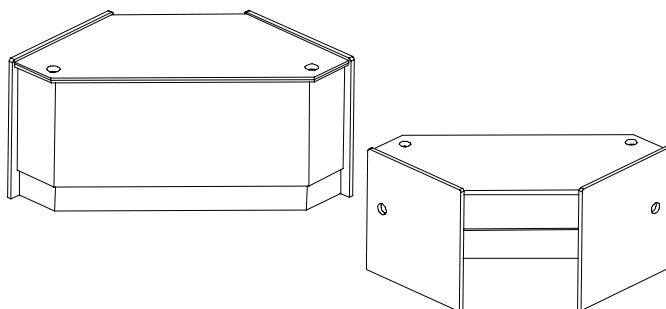
| Catalog # | Description         | Height" | Width" | Depth" | Price |
|-----------|---------------------|---------|--------|--------|-------|
| CDM-3231  | Elementary Height   | 32      | 72     | 30     |       |
| CDM-3931  | Intermediate Height | 39      | 72     | 30     |       |
| CDM-4231  | Adult Height        | 42      | 72     | 30     |       |



**Corner Patron Desk Unit**

Each unit is designed to provide a 90-degree transition in any desk arrangement, while providing a corner work space with a recessed work surface and patron ledge. The recessed work surface will be mounted at 29”H using metal cleats. The working width for staff-side accessibility will be 35”W. This unit is supplied with two (2) work surface grommets located at each end unless otherwise specified. The patron ledge is 6” deep.

| Catalog # | Description         | Height" | Width" | Depth" | Price |
|-----------|---------------------|---------|--------|--------|-------|
| CDM-3232  | Elementary Height   | 32      | 78-5/8 | 30     |       |
| CDM-3932  | Intermediate Height | 39      | 78-5/8 | 30     |       |
| CDM-4232  | Adult Height        | 42      | 78-5/8 | 30     |       |

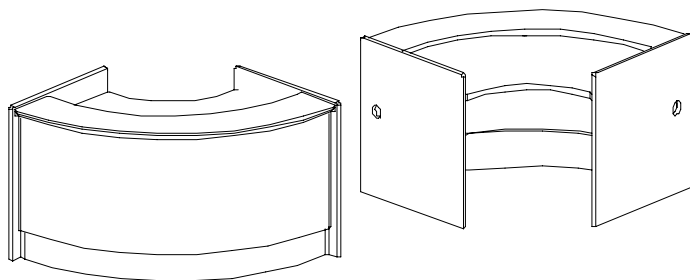


**Corner Desk Unit**

Each unit is designed to provide a 90-degree transition in any desk arrangement, while providing a corner work space. The working width for staff-side accessibility will be 35”W. This unit is supplied with two (2) work surface grommets located at each end unless otherwise specified.

| Catalog # | Description         | Height" | Width" | Depth" | Price |
|-----------|---------------------|---------|--------|--------|-------|
| CDM-3233  | Elementary Height   | 32      | 78-5/8 | 30     |       |
| CDM-3933  | Intermediate Height | 39      | 78-5/8 | 30     |       |
| CDM-4233  | Adult Height        | 42      | 78-5/8 | 30     |       |

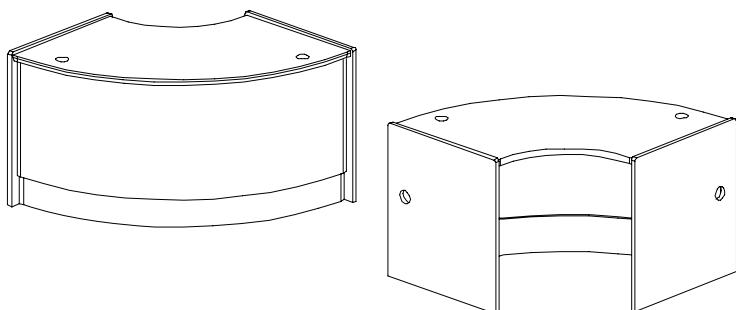
Circulation Desks



**Rounded Corner Patron Desk Unit**

Each unit is designed to provide a radiused 90-degree transition in any desk arrangement, while providing a corner work space with a recessed work surface and patron ledge. The recessed work surface will be mounted at 29”H using metal cleats. The working width for staff-side accessibility will be 35”W. This unit is supplied with two (2) work surface grommets located at each end unless otherwise specified. The patron ledge is 6”D.

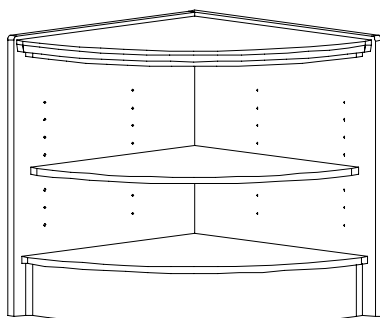
| Catalog # | Description         | Height" | Width"  | Depth" | Price |
|-----------|---------------------|---------|---------|--------|-------|
| CDM-3250  | Elementary Height   | 32      | 78-5/8" | 30     |       |
| CDM-3950  | Intermediate Height | 39      | 78-5/8" | 30     |       |
| CDM-4250  | Adult Height        | 42      | 78-5/8" | 30     |       |



**Rounded Corner Desk Unit**

Each unit is designed to provide a radiused 90-degree transition in any desk arrangement, while providing a corner work space. The working width for staff-side accessibility will be 35”W. This unit is supplied with two (2) work surface grommets located at each end unless otherwise specified.

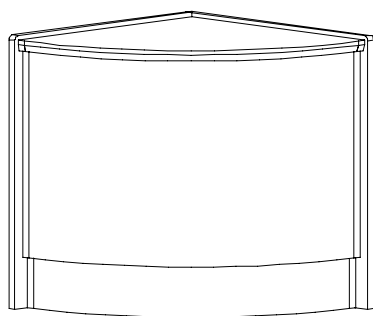
| Catalog # | Description         | Height" | Width"  | Depth" | Price |
|-----------|---------------------|---------|---------|--------|-------|
| CDM-3251  | Elementary Height   | 32      | 78-5/8" | 30     |       |
| CDM-3951  | Intermediate Height | 39      | 78-5/8" | 30     |       |
| CDM-4251  | Adult Height        | 42      | 78-5/8" | 30     |       |



**90 Degree Radiused Corner Open Shelf Unit**

Each unit will be triangular, with a radiused, open-face design and will be used to form a 90-degree transition in any desk arrangement. Adult and Intermediate height units will be supplied with two (2) adjustable shelves and elementary height units will be supplied with one (1) adjustable shelf. Open shelf corner units do not provide for wire access. Shelves will be accessible from patron side of circulation desk.

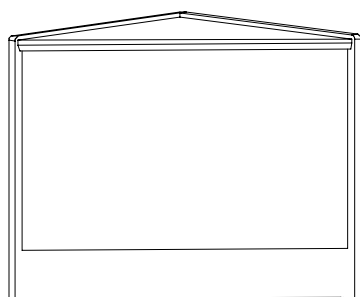
| Catalog # | Description         | Height" | Width" | Depth" | Price |
|-----------|---------------------|---------|--------|--------|-------|
| CDM-3228  | Elementary Height   | 32      | 30     | 30     |       |
| CDM-3928  | Intermediate Height | 39      | 30     | 30     |       |
| CDM-4228  | Adult Height        | 42      | 30     | 30     |       |



**90 Degree Radiused Closed Corner Unit**

Each unit will be triangular, with a radiused, closed-face design and will be used to form a 90-degree transition in any desk arrangement. This unit is supplied with an internal wire manager unless otherwise specified.

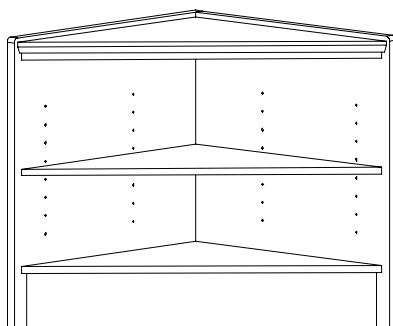
| Catalog # | Description         | Height" | Width" | Depth" | Price |
|-----------|---------------------|---------|--------|--------|-------|
| CDM-3226  | Elementary Height   | 32      | 30     | 30     |       |
| CDM-3926  | Intermediate Height | 39      | 30     | 30     |       |
| CDM-4226  | Adult Height        | 42      | 30     | 30     |       |



**90 Degree Flat Corner Unit**

Each unit will be triangular with a flat closed -front design and will be used to form a 90-degree transition in any desk arrangement. This unit is supplied with an internal wire manager unless otherwise specified.

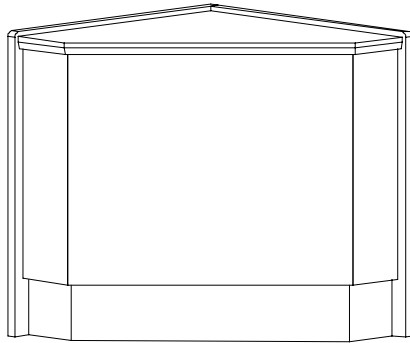
| Catalog # | Description         | Height" | Width" | Depth" | Price |
|-----------|---------------------|---------|--------|--------|-------|
| CDM-3252  | Elementary Height   | 32      | 30     | 30     |       |
| CDM-3952  | Intermediate Height | 39      | 30     | 30     |       |
| CDM-4252  | Adult Height        | 42      | 30     | 30     |       |



**90 Degree Flat Corner Open Shelf Unit**

Each unit will be triangular with an flat open-front design and will be used to form a 90-degree transition in any desk arrangement. Each unit will have one (1) fixed base shelf and adjustable shelves according to unit height. Adult and Intermediate height units will be supplied with two (2) adjustable shelves and elementary height units will be supplied with one (1) adjustable shelf. Shelves will be accessible from patron side of circulation desk. Open shelf corner units do not provide for wire access.

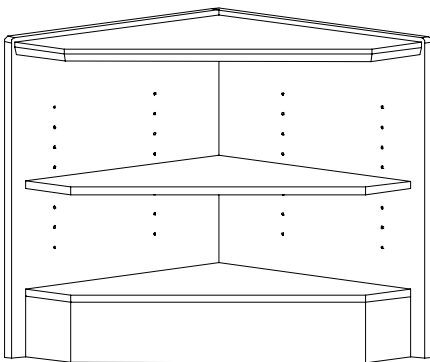
| Catalog # | Description         | Height" | Width" | Depth" | Price |
|-----------|---------------------|---------|--------|--------|-------|
| CDM-3223  | Elementary Height   | 32      | 36     | 30     |       |
| CDM-3923  | Intermediate Height | 39      | 36     | 30     |       |
| CDM-4223  | Adult Height        | 42      | 36     | 30     |       |



**90 Degree Closed Corner Unit**

Each unit will be triangular with an angled, closed-face design and will be used to form a 90-degree transition in any desk arrangement. This unit is supplied with an internal wire manager unless otherwise specified.

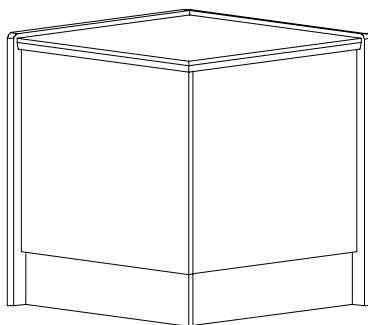
| Catalog # | Description         | Height" | Width" | Depth" | Price |
|-----------|---------------------|---------|--------|--------|-------|
| CDM-3216  | Elementary Height   | 32      | 30     | 30     |       |
| CDM-3916  | Intermediate Height | 39      | 30     | 30     |       |
| CDM-4216  | Adult Height        | 42      | 30     | 30     |       |



**90 Degree Corner Open Shelf Unit**

Each unit will be triangular with an angled open-front design and will be used to form a 90-degree transition in any desk arrangement. Each unit will have one (1) fixed base shelf and adjustable shelves according to unit height. Adult and Intermediate height units will be supplied with two (2) adjustable shelves and elementary-height units will be supplied with one (1) adjustable shelf. Shelves will be accessible from patron side of circulation desk. Open shelf corner units do not provide for wire access.

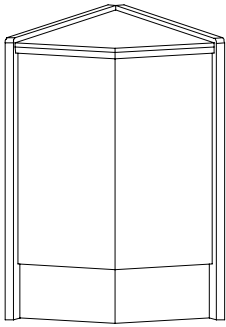
| Catalog # | Description         | Height" | Width" | Depth" | Price |
|-----------|---------------------|---------|--------|--------|-------|
| CDM-3217  | Elementary Height   | 32      | 30     | 30     |       |
| CDM-3917  | Intermediate Height | 39      | 30     | 30     |       |
| CDM-4217  | Adult Height        | 42      | 30     | 30     |       |



**Square Corner Unit**

Each unit will be square, closed-face design and will be used to form a 90-degree transition in any desk arrangement. This unit is supplied with an internal wire manager unless otherwise specified.

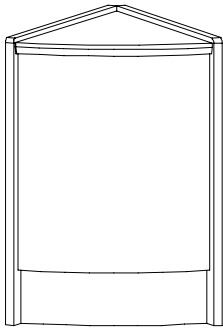
| Catalog # | Description         | Height" | Width" | Depth" | Price |
|-----------|---------------------|---------|--------|--------|-------|
| CDM-3224  | Elementary Height   | 32      | 30     | 30     |       |
| CDM-3924  | Intermediate Height | 39      | 30     | 30     |       |
| CDM-4224  | Adult Height        | 42      | 30     | 30     |       |



### 45 Degree Closed Corner Unit

Each unit will be triangular, with an angled, closed-face design and will be used to form a 45-degree transition in any desk arrangement. This unit is supplied with an internal wire manager unless otherwise specified.

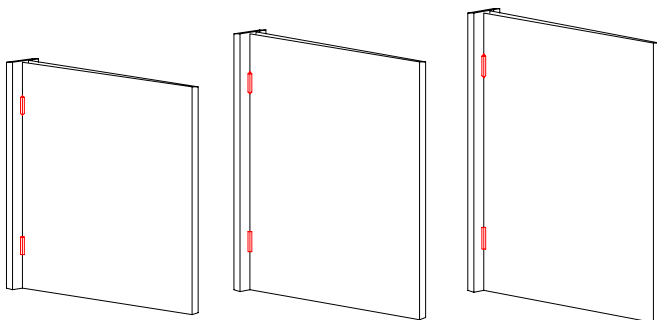
| Catalog # | Description         | Height" | Width" | Depth" | Price |
|-----------|---------------------|---------|--------|--------|-------|
| CDM-3225  | Elementary Height   | 32      | 21     | 30     |       |
| CDM-3925  | Intermediate Height | 39      | 21     | 30     |       |
| CDM-4225  | Adult Height        | 42      | 21     | 30     |       |



### 45 Degree Radiused Corner Unit

Each unit will be triangular, with a radiused, closed-face design and will be used to form a 45-degree transition in any desk arrangement. This unit is supplied with an internal wire manager unless otherwise specified.

| Catalog # | Description         | Height" | Width" | Depth" | Price |
|-----------|---------------------|---------|--------|--------|-------|
| CDM-3227  | Elementary Height   | 32      | 21     | 30     |       |
| CDM-3927  | Intermediate Height | 39      | 21     | 30     |       |
| CDM-4227  | Adult Height        | 42      | 21     | 30     |       |

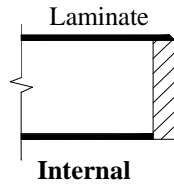


### Swinging Gate

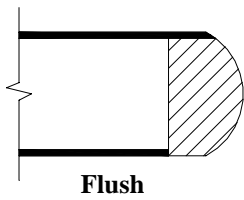
When specified, gates will be mounted to walls or finished end panels on the circulation desk. Gates will be constructed using banded, matching 1”T veneer-core plywood in widths of up to 36”. Single-action gates are supplied with stop moulding. **The desired width of the gate and hinge type (single or double action) MUST BE quoted in advance and specified on the order.**

| Catalog # | Description                              | Height" | Width"  | Thickness" | Price          |
|-----------|--|---------|---------|------------|----------------|
| CDM-1G 32 | Elementary height, single action hinge   | 32      | Specify | 1          | based on width |
| CDM-2G 32 | Elementary height, double action hinge   | 32      | Specify | 1          | based on width |
| CDM-1G 39 | Intermediate height, single action hinge | 39      | Specify | 1          | based on width |
| CDM-2G 39 | Intermediate height, double action hinge | 39      | Specify | 1          | based on width |
| CDM-1G 42 | Adult height, single action hinge        | 42      | Specify | 1          | based on width |
| CDM-2G 42 | Adult height, double action hinge        | 42      | Specify | 1          | based on width |

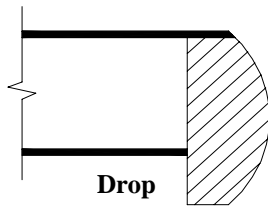
**Planning For & Ordering Edgeband for ModuFlex Series**



Staff side of the work surface comes with a 1/4" internal solid red oak edgeband.



**Flush**



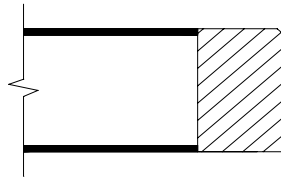
**Drop**

When choosing an edgeband for patron side you can either have the edgeband placed flush with the bottom of the top or dropped below the bottom.

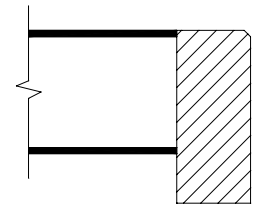
Work surfaces will be constructed with a 3/4" T solid red oak edgeband and can be ordered with any one of a variety of internal or external edgeband details.

See below for edge details for the ModuFlex Series.

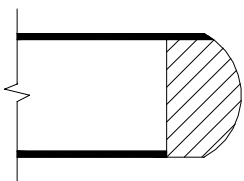
**Edge Details for ModuFlex Series**



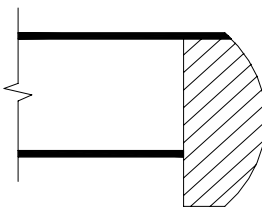
1 1/4" thick top (External)  
**Montana Flush**



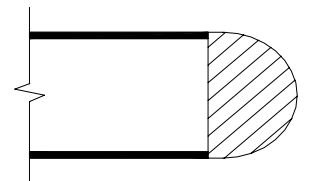
1 1/4" thick top (External)  
**Montana Drop**



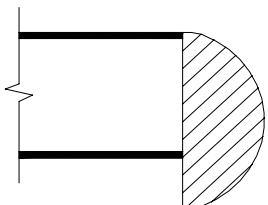
1 1/4" thick top (Internal)  
**Shallow Bullnose Flush**



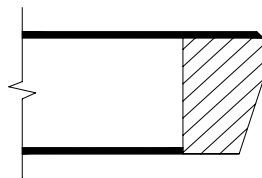
1 1/4" thick top (Internal)  
**Shallow Bullnose Drop**



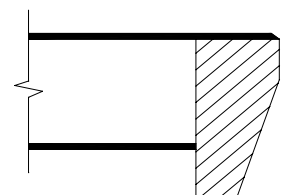
1 1/4" thick top (External)  
**Bullnose Flush**



1 1/4" thick top (External)  
**Bullnose Drop**



1 1/4" thick top (Internal)  
**Premier Flush**



1 1/4" thick top (Internal)  
**Premier Drop**